

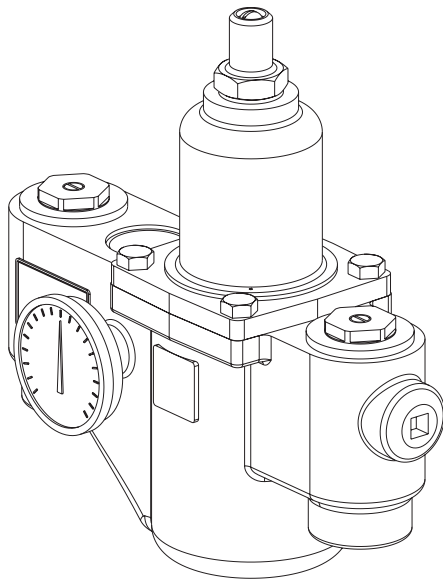
Installation

EFX 125/S19-2300

Thermostatic Mixing Valve
with Optional Cabinet

Robinet thermostatique
mélangeur avec cabinet facultatif

Válvula mezcladora termostática con
armario opcional



S19-2300

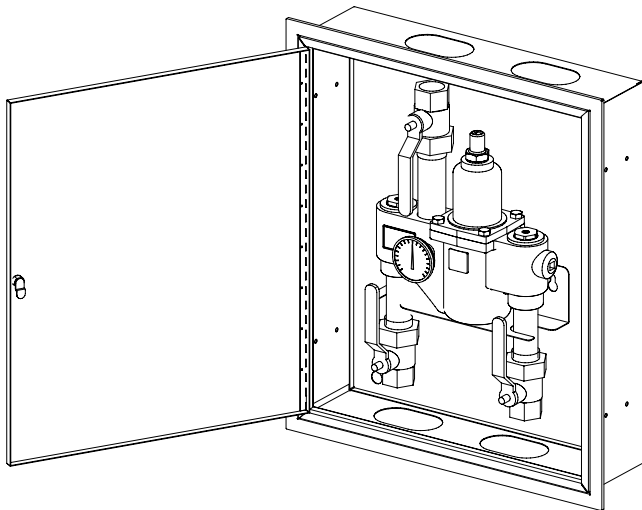


Table of Contents

Supplies Required.....	3
Optional Equipment Installation	3
Dimensions	4
Installation Instructions	5
Troubleshooting.....	7

Sommaire

Fournitures requises	11
Installation de l'équipement optionnel.....	11
Dimensions	12
Instructions relatives à l'installation.....	13
Dépannage	15

Tabla de contenidos

Materiales necesarios.....	19
Instalaciones de equipos opcionales	19
Dimensiones	20
Instrucciones de instalación.....	21
Solución de problemas	23

Inlet Connections: 1-1/4" NPT
Outlet Connection: 1-1/2" NPT
Temperature Range: 65° - 95° F
Maximum Pressure: 125 PSI
Inlet Temperature Hot: 120° - 140° F
Inlet Temperature Cold: 33° - 80° F
Minimum Temperature Differential
(from valve set point): 20° F

Raccords d'arrivée : 1-1/4" NPT
Raccords d'arrivée : 1-1/2" NPT
Plage de température : 65° - 95° F
Pression maximum : 125 lb/po²
Température d'arrivée, eau chaude :
120° - 140° F
Température d'arrivée, eau froide :
33° - 80° F
Différence de température minimum (à partir
de valeur de consigne de robinet) : 20° F

Conexiones de entrada: NPT de 1-1/4"
Conexión de salida: NPT de 1-1/2"
Rango de temperaturas: 65° - 95° F
Rango de temperaturas: 125 PSI
Temperatura de entrada, caliente:
120° - 140° F
Temperatura de entrada, fría: 33° - 80° F
Diferencial de temperatura mínima
(desde el punto de ajuste de la válvula): 20° F



WARNING

Failure to comply with proper installation and maintenance instructions could contribute to the valve failure resulting in severe bodily injury including scalding, chilling, and/or death depending upon system water pressure changes and/or supply water temperature changes.

Use this thermostatic mixing valve in accordance with ASSE standard 1071. Operation of emergency thermostatic mixing valves and fixtures must be tested weekly per ANSI/ISEA Z358.1. This valve does not provide protection from pipe freezing.

Output temperature of the valve must be checked and adjusted at initial installation and on a quarterly basis.

Make sure that all water supply lines have been flushed and then completely turned off before beginning installation. Debris in supply lines can cause valves to malfunction.

If shut-off valves are installed for maintenance purposes, provisions shall be made to prevent unauthorized shut-off.

NOTICE

Regular checking and cleaning of the valve's internal components and check stops is necessary for maximum life and proper product function. Periodic Inspection and Yearly Maintenance by a licensed contractor is required. Corrosive water conditions, and/or unauthorized adjustments or repairs could render the valve ineffective for its intended service. Frequency of cleaning and inspection depends upon local water conditions.

IMPORTANT

Read this entire installation manual to ensure proper installation. When finished with the installation, file this manual with the owner or maintenance department. Compliance and conformity to local codes and ordinances is the responsibility of the installer.

Consult local building and plumbing codes prior to installation. Should these codes differ from the information in the Manual, follow the local codes. Inquire with governing authorities for additional local requirements.

Valve shall be accessible for testing, adjusting and maintenance in the installed position.

Separate parts from packaging and make sure all parts are accounted for before discarding packaging material. If any parts are missing, do not begin installation until you obtain the missing parts.

Product warranties may be found under "Products" on our web site at bradleycorp.com.

Supplies recommended for installation

- Lockable shut-off on the outlet if tempered water is supplied to one or more emergency fixtures
- Lockable shut-off on the inlets/supplies
- (6) 3/8" wall anchors and fasteners for surface-mounted cabinet
- (4) 1/4" fasteners (and wall anchors, if necessary) for recess-mounted cabinet
- Unions on all connections to facilitate removal of valve

Tools required for temperature adjustment

- 5/32" Allen wrench
- Blade screwdriver

1 Install Optional Cabinet (If not installing cabinet, skip to Step 2)

Recessed Cabinet:

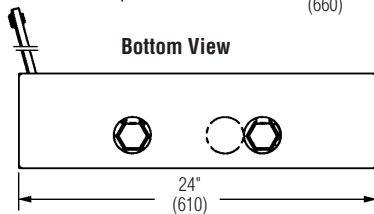
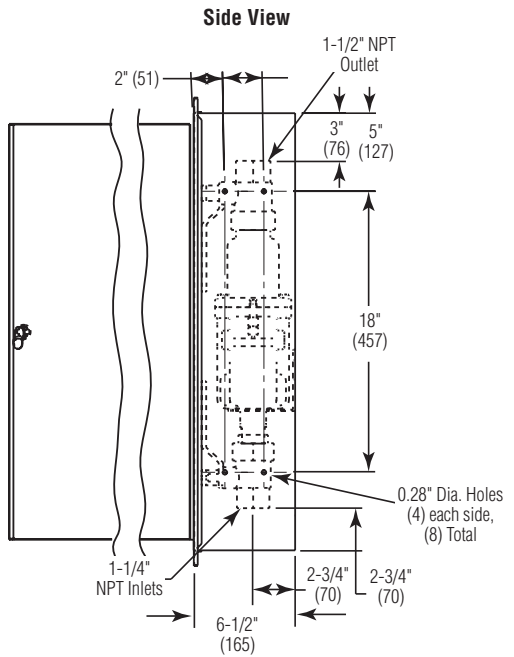
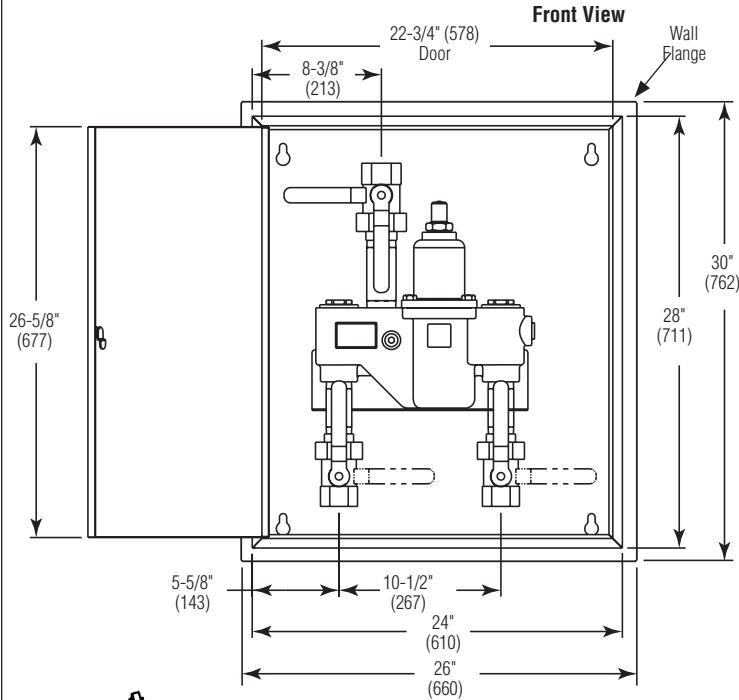
1. Rough-in wall opening 24-1/2" W x 28-1/2".
2. Insert the cabinet and secure to wall with four 1/4" fasteners properly anchored (supplied by installer.)
3. Install two anchors and screws through the valve bracket in back of the cabinet into a secure brace (supplied by installer) or into wall. This will support the valve.
4. Install the valve nipples and one-half of the union ball valve using pipe sealant or teflon tape. Install the other half of the union ball valve onto inlet and outlet pipe.
5. Insert the valve into the bracket in the cabinet (right side goes in first). Continue with the valve installation procedure.
6. Position the wall flange tight to the wall and caulk in place.

Surface-Mounted Cabinet:

1. Measure and mark the cabinet mounting hole locations at the dimensions shown on next page. Install six 3/8" wall anchors (supplied by installer).
2. Position the cabinet onto the wall and secure into place with six 3/8" wall fasteners (supplied by installer).
3. Install the valve nipples and one-half of the union ball valve using pipe sealant or teflon tape. Then install the other half of the union ball valve onto the inlet and outlet piping.
4. Insert the valve into the bracket in the cabinet (right side of the valve goes in first). Continue with the valve installation procedure.

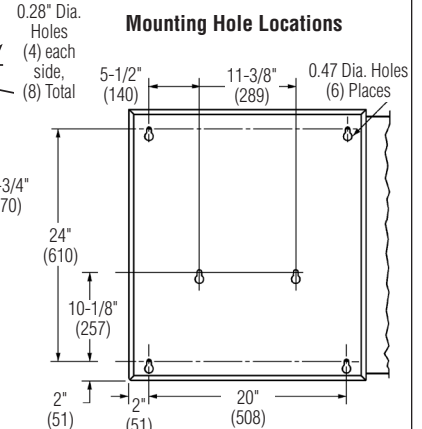
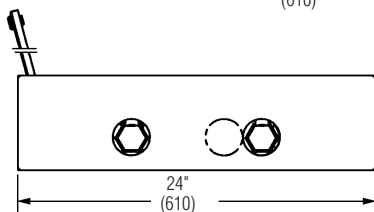
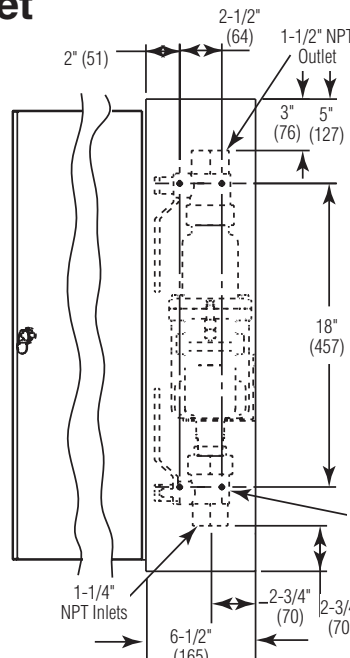
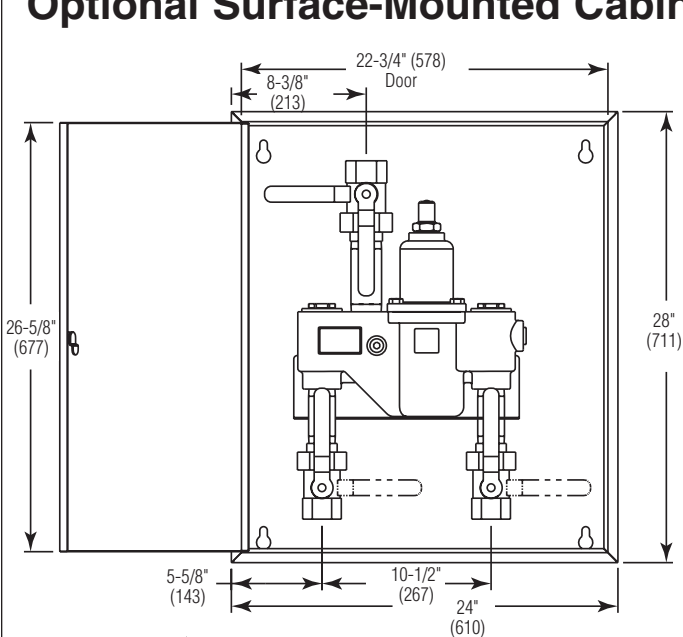
Optional Recessed Cabinet

(mm)



Wall Opening:
24-1/2" W x 28-1/2" H

Optional Surface-Mounted Cabinet



2 Connect Supply Lines and Install Thermometer



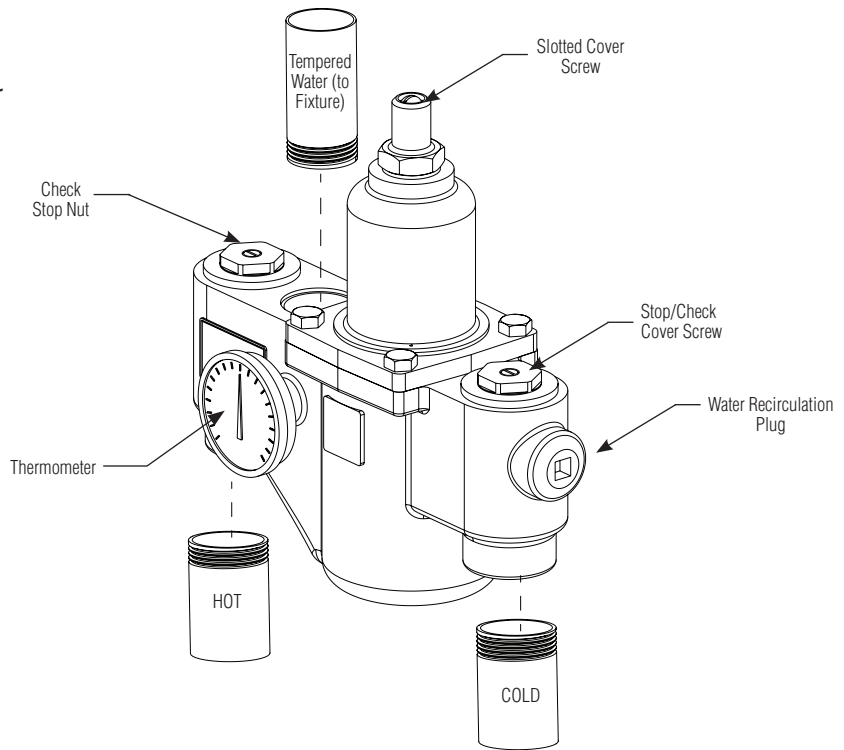
When the check valves are in the open (operating) position, the cover screw for the stop/check stem will be flush with the valve cap.



Install Thermometer using pipe sealant or teflon tape.



Check for leaks by pressurizing unit **SLOWLY**.



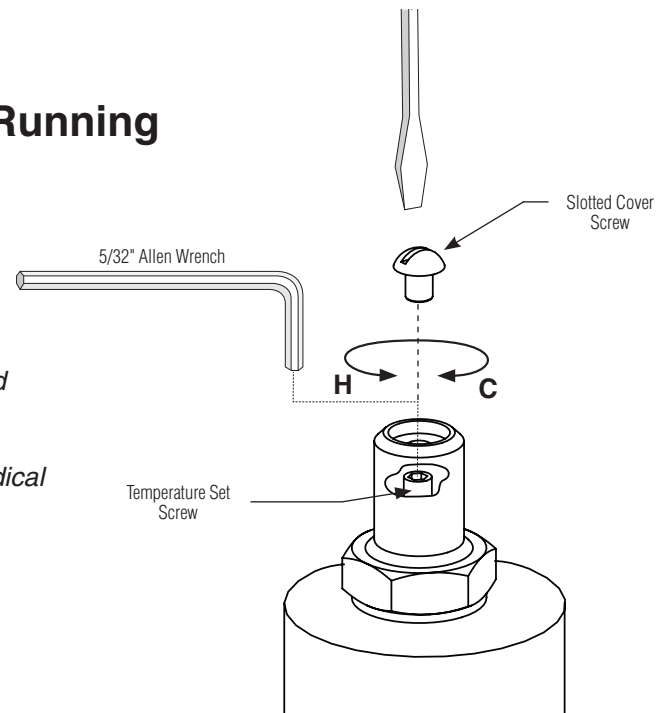
3 Adjust Temperature with Water Running



Check the temperature when approximately 20 GPM water flow is reached (equivalent to one drench shower).



This device must be checked for final temperature and adjusted as necessary. The standard preset factory temperature setting is 85°F (29°C). [the range of the valve is 65°F–95°F (18°C–35°C)]. Consult proper medical and/or safety authorities for the optimum temperature recommended for your particular application.



4 Test Unit



DO NOT SKIP THIS STEP!!!

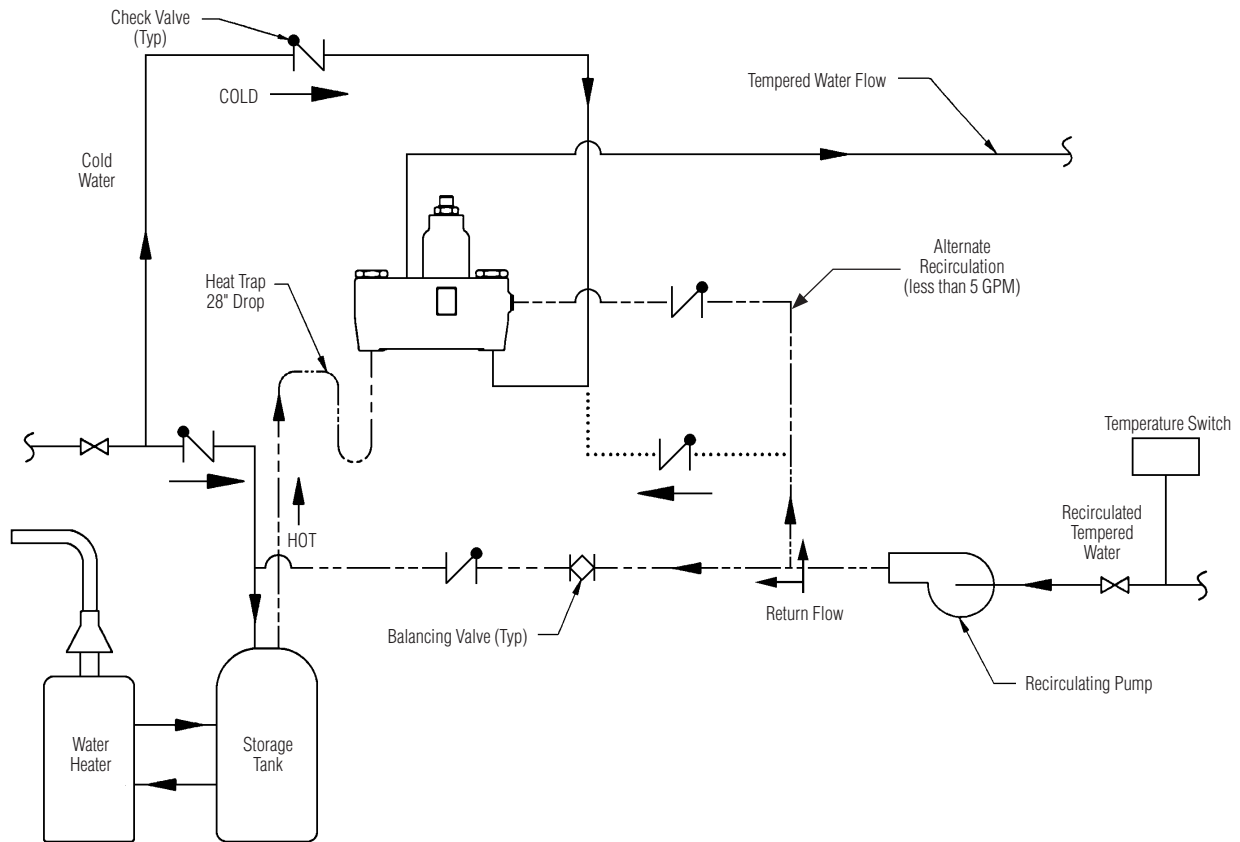
Shut the hot water supply off by closing hot water inlet valve or supply check valve. While the hot water supply is turned off, check to make sure the cold water continues to flow. If the cold water is flowing properly, reopen the hot water supply.

Shut the cold water supply off by closing the cold water inlet valve or supply check valve. While the cold water supply is off, check to make sure that the hot water flow has shut down. If hot water is shut down, reopen cold water supply. Test unit weekly for proper function and desired set temperature.

5 Optional Water Recirculation Setup



Recirculating the water in the system provides constant regulation of the water temperature. Flush the supply lines thoroughly after completing installation. Close off all fixtures and label them as not available for use during the recirculating process.



1. Turn off the recirculating pump and turn on the water supply at emergency fixture (a water flow rate of 10-15 GPM is required).
2. Let the water run through the system until a consistent temperature is obtained. If you do not obtain the required temperature, refer to step #3 on previous page for temperature readjustment.
3. As soon as the water reaches the proper temperature, turn on the recirculating pump (make certain the proper system temperature has been achieved before proceeding).
4. Check the water temperature at the return pump. If the temperature exceeds the appropriate level by 2°F, adjust the temperature high-limit switch (this will turn off the pump). Wait until the return water temperature is 5°F below the appropriate level and adjust the low-limit switch (this will turn the pump back on).
5. Open the balancing valve completely.
6. Turn off all fixtures and make sure there is no water running through the system (the cold inlet pipe should feel warm to the touch).
7. Let the system run for 30 minutes or longer without water. If, after thirty minutes, the water temperature increases, you may readjust the temperature by slowly closing the balancing valve until the appropriate temperature is reached.

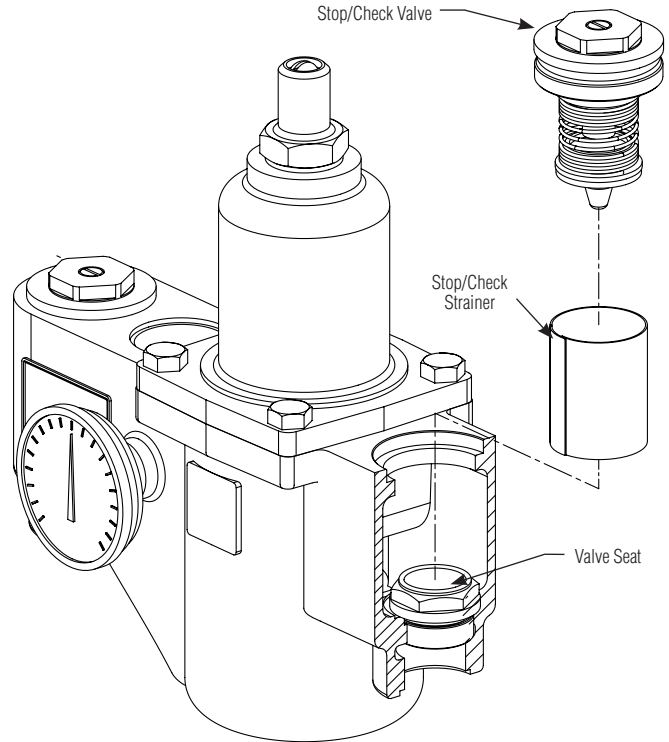
Troubleshooting Thermostatic Mixing Valve

Before attempting to troubleshoot the valve or disassemble the components, check for the following:

- Stop/check valves are fully open (the slotted stem must be flush with the stop/check cap) and that all inlet and outlet shut-off valves are open
- Hot and cold inlet pipes are connected properly, and that there are no cross-connections or leaking stop/check valves
- Water heater output is at least 15° F above the set temperature.



Be sure to close the appropriate shut-off valves prior to disassembly of the valve and reopen the valves after inspection and repair is complete.



Problem	Cause	Solution
External leaks in the system	Either the NPT joints or the o-rings have been damaged.	Replace the NPT joints and/or o-rings where necessary. For replacement of o-rings, contact your Bradley representative and ask for O-Ring Seal Kit (S65-289).
No hot water flow (cold water flow only)	The thermostat has failed and, subsequently, the safety shut-off has engaged.	Inspect Thermostat: 1. Remove the top cap and pull out the push rod and thermostat. 2. Insert a 7/16" dia. rod into the thermostat bellows. 3. Mark the length of the thermostat bellows (at room temperature, with 10 lb. of force, the bellows length should be approx. 2-3/4" to 3-1/4"). 4. If the thermostat bellows length is not in the proper range, the thermostat must be replaced (it cannot be repaired). Contact your Bradley representative and ask for Thermostat Kit (S65-178).
Limited water flow	The inlet shut-off valve may be partially closed or there has been a significant decrease in water pressure.	
	Dirt and debris have collected on the check screen or seat, limiting the movement of the stop and checks.	Clean Stop and check Valves: Remove the stop and checks, clean the screen and seat and reassemble the valve. Do not remove the seat. The components may be scraped with a screwdriver to remove debris. A pair of tweezers works well for pulling debris out from the seat. If the stop and checks need to be replaced, contact your Bradley representative and ask for Check/Stop Kit (S65-212).
Temperature fluctuation or improper Temperature	The stop and check sections of the valve do not move freely.	Clean Stop and Check Valves as described above.
	Thermostat is slowly failing.	Check Thermostat as described above, or replace.
	Inlet supply line to the mixing valve is being shared by other pieces of equipment that are used only periodically, such as laundry appliances or washdown stations. It may reduce the inlet pressure to the mixing valve to less than 10 PSI. The supply line size may not be large enough to supply both the valve and the other appliances.	Enlarge the supply line size, reconfigure the supply line or regulate the supply usage.
	Recirculation is not balanced.	Review recirculation set up on page 5.
	Piston does not move freely and must be cleaned.	See next page for piston disassembly and cleaning directions.

Troubleshooting: Piston Disassembly and Cleaning

⚠ WARNING To prevent injuries, use proper protective equipment for eyes and skin when using a propane torch.

A Remove the valve's top cap and pull out the push rod and then the thermostat. You may use a needle-nose pliers to remove the thermostat from the valve body if desired.

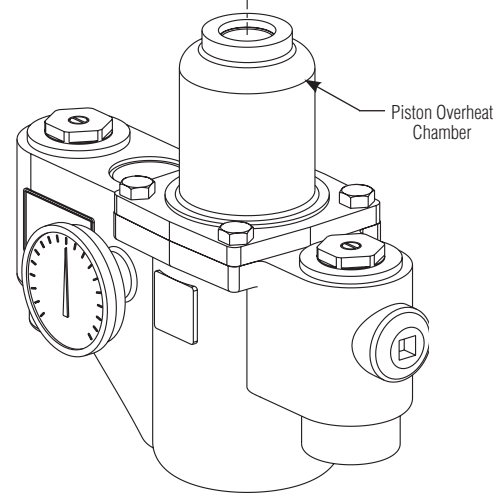
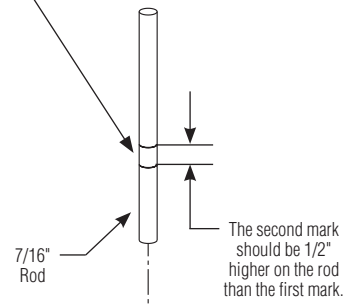
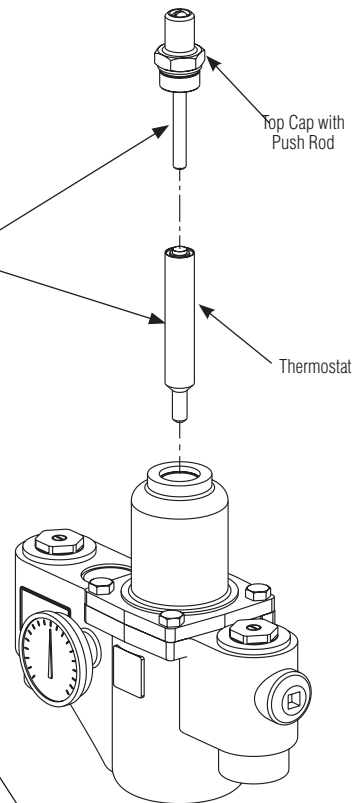
B Insert a 7/16" dia. rod into the valve and into the piston overhear chamber. Mark the length of the rod inside the valve. Push the rod until the piston stops and mark the new length.

If the rod travels less than 1/2", the piston is not moving freely within the liner and they must be cleaned:

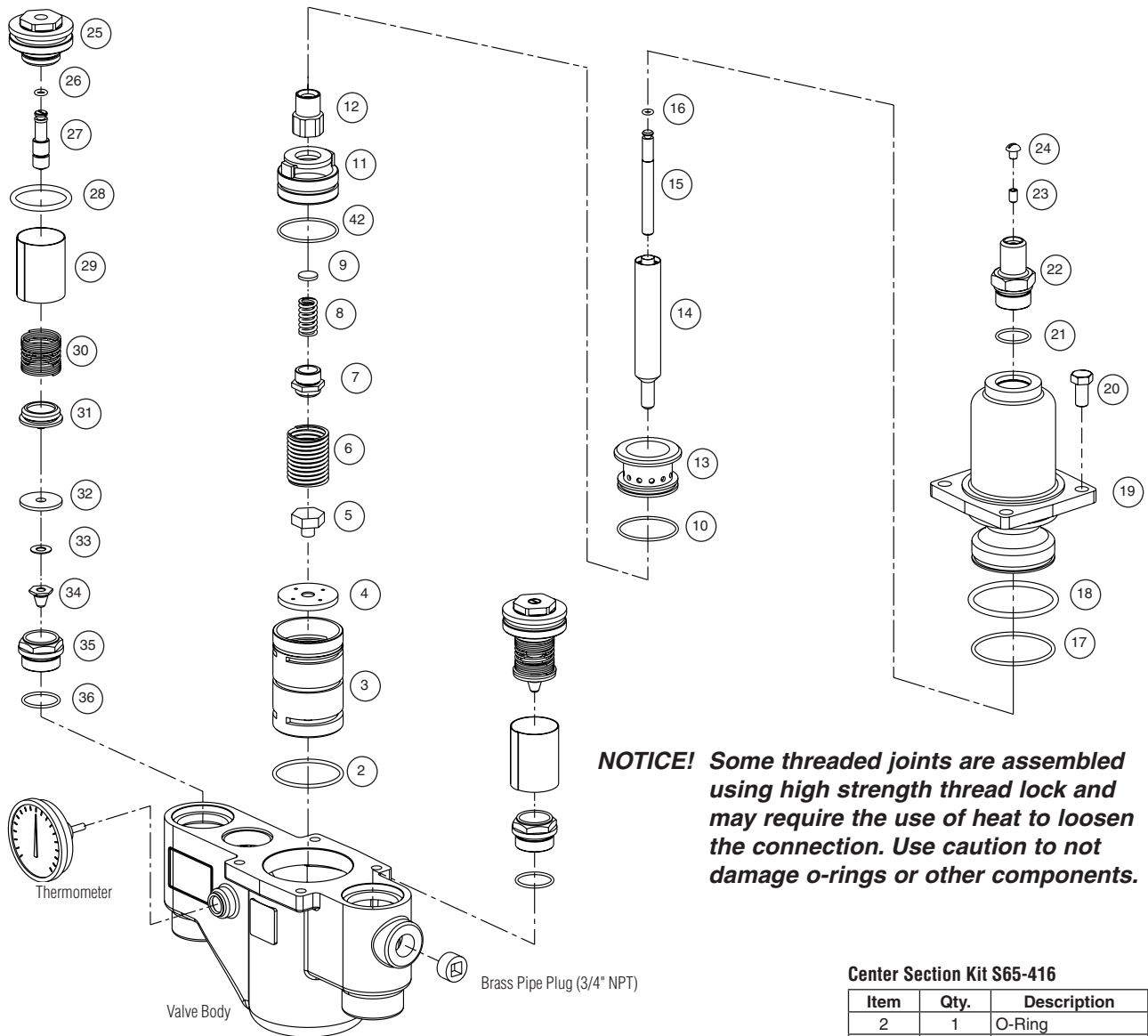
C

1. Remove the control section assembly, top cap and thermostat.
2. Unthread the liner from the cap (it is glued together; the o-rings must be removed and heat should be applied to melt the glue and loosen the liner).
3. Clean the piston and liner with any cleaner suitable for brass and stainless steel (400-grit sandpaper may be used to polish and hone the piston and liner).

D Push the mechanism up and down several times to make sure the piston moves smoothly and consistently. If it is not consistent, repeat Procedure C until it moves freely, or replace. Contact your Bradley representative and ask for Piston/Liner Kit (part number S65-288).



Parts Breakdown



NOTICE! Some threaded joints are assembled using high strength thread lock and may require the use of heat to loosen the connection. Use caution to not damage o-rings or other components.

Thermostat Kit S65-178

Item	Qty.	Description
14	1	Thermostat
16	1	O-Ring
21	1	O-Ring

Piston & Liner Kit S65-288

Item	Qty.	Description
2	1	O-Ring
3	1	Liner
4	1	Washer
5	1	Screw
6	1	Spring
7	1	Lower Overheat Chamber
8	1	Spring
9	1	Washer
10	1	O-Ring
11	1	Piston
12	1	Upper Overheat Chamber
13	1	Upper Seat
42	1	O-Ring

Washer/Seal Kit S65-312

Item	Qty.	Description
4	1	Washer
9	1	Washer
32	2	Seal
33	2	Washer

O-Ring Kit S65-289

Item	Qty.	Description
2	1	O-Ring
10	1	O-Ring
16	1	O-Ring
17	1	O-Ring
18	1	O-Ring
21	1	O-Ring
26	2	O-Ring
28	2	O-Ring
36	2	O-Ring
42	1	O-Ring

Check/Stop Kit S65-212

Item	Qty.	Description
25	2	Cap
26	2	O-Ring
27	2	Stem
28	2	O-Ring
29	2	Strainer
30	2	Spring
31	2	Holder (for Seal)
32	2	Seal
33	2	Washer
34	2	Nut
35	2	Seat
36	2	O-Ring

Center Section Kit S65-416

Item	Qty.	Description
2	1	O-Ring
3	1	Liner
4	1	Washer
5	1	Screw
6	1	Spring
7	1	Lower Overheat Chamber
8	1	Spring
9	1	Washer
10	1	O-Ring
11	1	Piston
12	1	Upper Overheat Chamber
13	1	Upper Seat
14	1	Thermostat
15	1	Pushrod
16	1	O-Ring
17	1	O-Ring
18	1	O-Ring
19	1	Mixing Valve Cap
20	4	Screw
21	1	O-Ring
22	1	Control Cap
23	1	Set Screw
24	1	Screw
42	1	O-Ring

AVERTISSEMENT

Tout manquement à respecter les instructions d'installation et d'entretien peut contribuer à une défaillance du mitigeur entraînant des blessures corporelles graves telles que brûlure, refroidissement et/ou décès suite à des changements de pression d'eau du circuit et/ou de la température d'arrivée de l'eau.

Utiliser ce mitigeur thermostatique conformément à la norme ASSE 1071. Le fonctionnement des mitigeurs thermostatiques et appareils d'urgence doit être vérifié chaque semaine suivant ANSI/ISEA Z358.1. Ce mitigeur ne protège pas contre le gel des conduites d'eau.

La température de sortie du mitigeur doit être contrôlée et ajustée lors de l'installation initiale puis tous les trois mois.

Veiller à bien vidanger et fermer toutes les conduites d'eau avant de commencer l'installation. Tout débris dans les conduites d'alimentation risque de provoquer un mauvais fonctionnement des soupapes.

Si des vannes d'arrêt sont installées à des fins d'entretien, prendre les mesures nécessaires pour empêcher les fermetures non autorisées.

AVIS

Le contrôle et le nettoyage régulier des pièces internes et des clapets du mitigeur sont nécessaires pour assurer un bon fonctionnement et une durabilité maximale du produit. Le contrôle périodique et l'entretien annuel par un professionnel agréé sont obligatoires. Une eau corrosive et/ou des réglages ou réparations non autorisés peuvent rendre le mitigeur inopérant quant à l'emploi prévu. La fréquence de nettoyage et de contrôle dépend des conditions locales d'alimentation en eau.

IMPORTANT

Lire ce manuel d'installation dans son intégralité pour garantir une installation appropriée. Une fois celle-ci terminée, classer ce manuel auprès du service à la clientèle ou d'entretien. L'installateur est responsable de respecter la conformité aux codes et ordonnances locaux.

Consulter les codes du bâtiment et de la plomberie en vigueur préalablement à l'installation. Si ces codes diffèrent des informations figurant dans le manuel, veiller à suivre les codes en vigueur. S'informer auprès des autorités compétentes s'il existe des exigences locales supplémentaires.

La vanne doit être accessible en position installée pour les essais, les réglages et l'entretien.

Séparer les pièces de l'emballage et veiller à bien avoir toutes les pièces avant de jeter le matériau d'emballage. Le cas échéant, ne pas commencer l'installation avant d'avoir obtenu les pièces manquantes.

Les garanties du produit se trouvent sous la rubrique « Products » (Produits) sur notre site Web à bradleycorp.com

Fournitures requises pour l'installation :

- Robinet d'arrêt verrouillable sur la sortie en cas d'alimentation d'eau tempérée vers un ou plusieurs appareils d'urgence
- Robinet d'arrêt verrouillable sur les arrivées/alimentations
- (6) Ancrages muraux et fixations 3/8 po pour armoire montée en surface
- (4) Fixations 1/4 po (et ancrages muraux, si nécessaire) pour armoire encastrée
- Raccords sur toutes les connexions pour faciliter la dépose du robinet

Outils requis pour réglage de température

- Clé Allen 5/32 po
- Tournevis à lame

1 Installer l'armoire en option (si l'installation d'une armoire n'est pas requise, passer à l'étape 2).

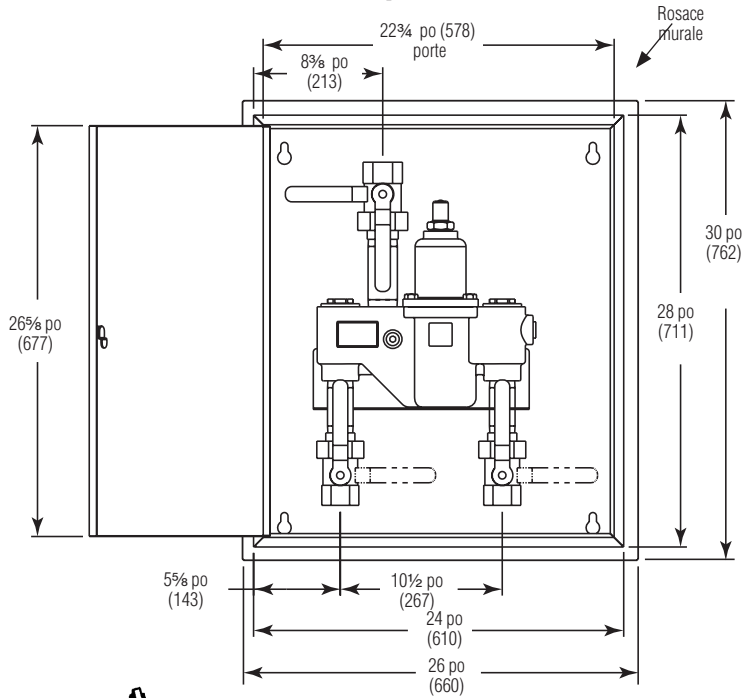
Armoire encastrée :

1. Ouverture murale pour plomberie brute 62 cm L x 72.4 cm (24-1/2 po L x 28-1/2 po).
2. Insérer l'armoire et la fixer au mur avec quatre fixations 1/4 po adéquatement ancrées (fournies par l'installateur).
3. Installer deux ancrages et vis à travers le support de robinet à l'arrière de l'armoire et dans un contrevent sécuritaire (fourni par l'installateur) ou dans un mur. Cela soutiendra le robinet.
4. Installer les raccords filetés du robinet et la moitié du clapet à bille du raccord en utilisant un produit d'étanchéité pour tuyaux ou du ruban téflon. Installer l'autre moitié du clapet à bille du raccord sur le tuyau d'entrée et de sortie.
5. Insérer le robinet dans le support dans l'armoire (le côté droit entre en premier). Continuer avec la procédure d'installation du robinet.
6. Positionner la rosace murale tout contre le mur et colmater en place.

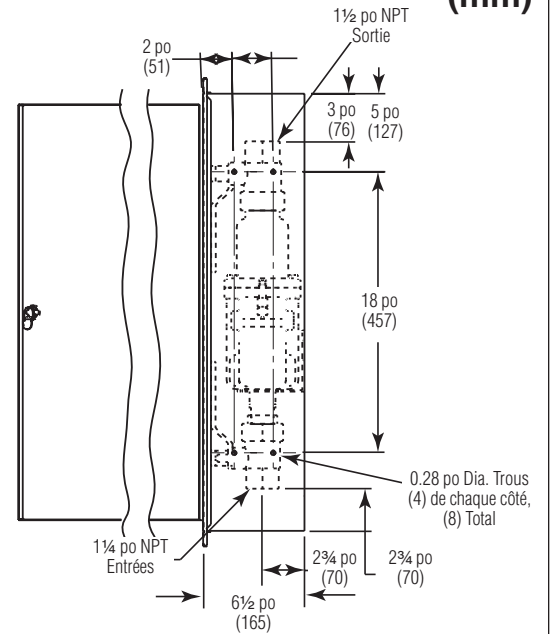
Armoire montée en surface :

1. Mesurer et marquer les emplacements des trous de montage de l'armoire selon les dimensions indiquées à la page suivante. Installer six ancrages muraux de 3/8 po (fournis par l'installateur).
2. Positionner l'armoire dans le mur et fixer en place avec six fixations murales de 3/8 po (fournies par l'installateur).
3. Installer les raccords filetés du robinet et la moitié du clapet à bille du raccord en utilisant un produit d'étanchéité pour tuyaux ou du ruban téflon. Puis installer l'autre moitié du clapet à bille du raccord sur le tuyau d'entrée et de sortie.
4. Insérer le robinet dans le support dans l'armoire (le côté droit du robinet entre en premier). Continuer avec la procédure d'installation du robinet.

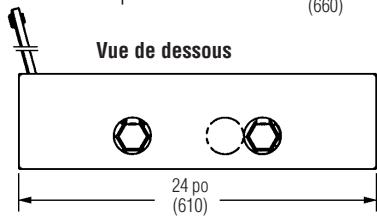
Armoire encastrée en option **Vue de face**



Vue latérale **(mm)**

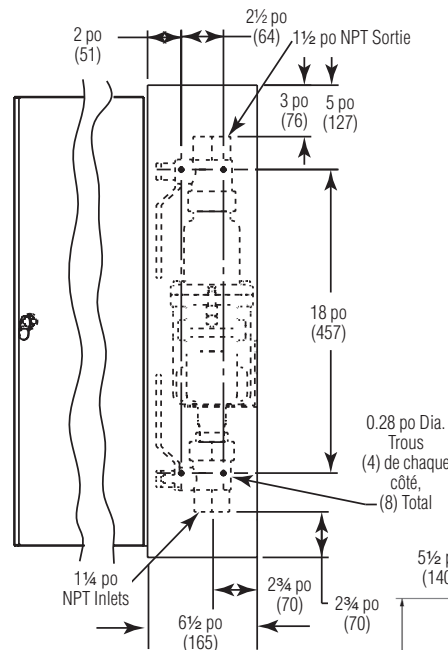
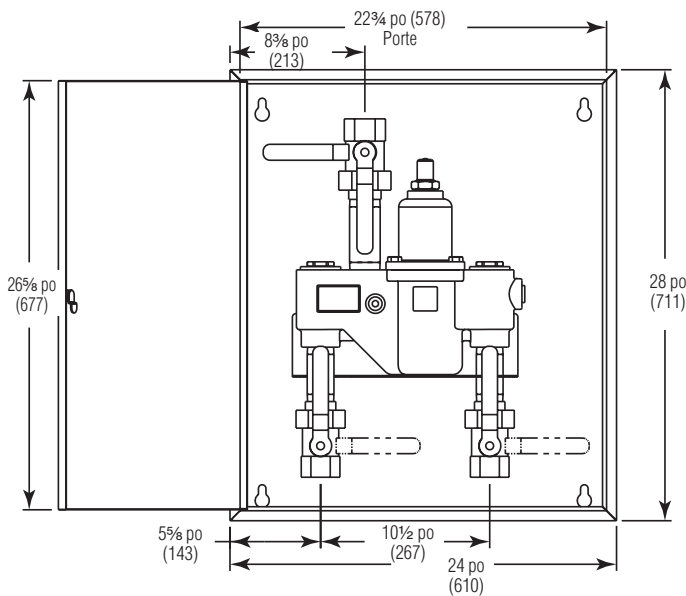


Vue de dessous

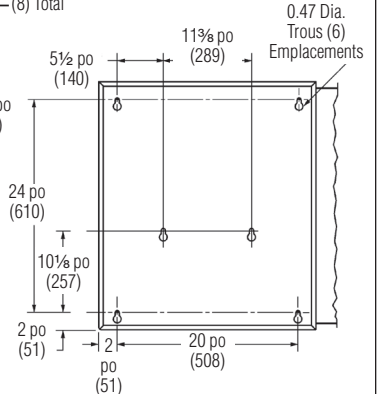


Ouverture murale :
24-1/2 po L x 28-1/2 po H

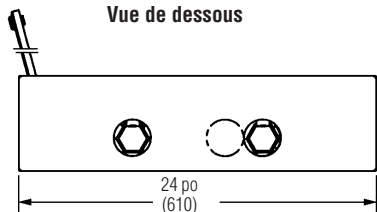
Armoire montée en surface en option



Emplacement des trous de montage



Vue de dessous



2 Connecter les conduites d'alimentation et installer le thermostat



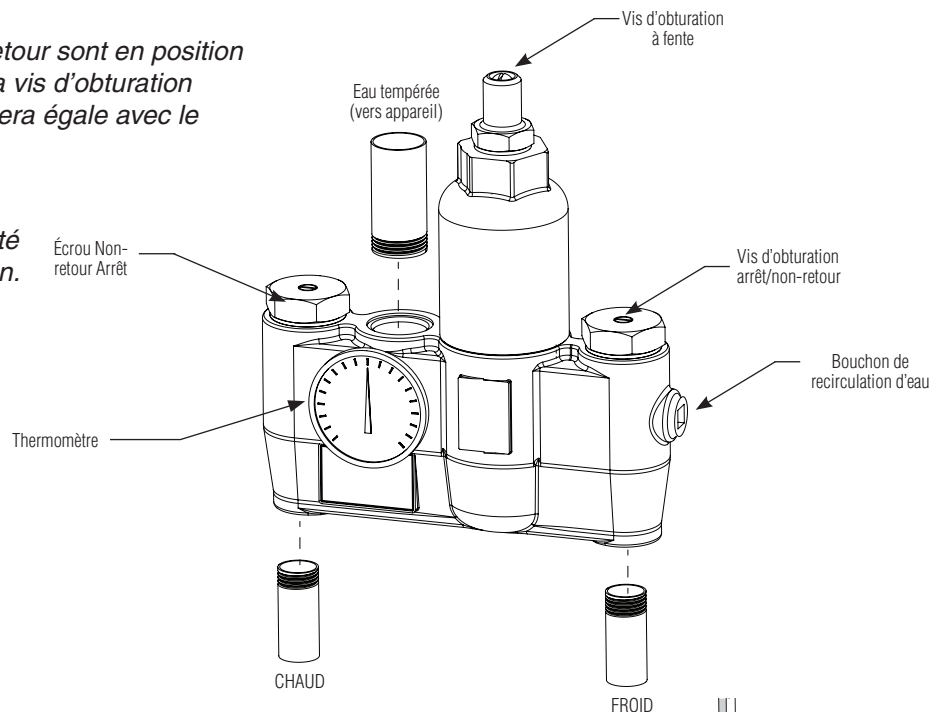
Lorsque les clapets de non-retour sont en position ouvert (en fonctionnement), la vis d'obturation pour la tige arrêt/non-retour sera égale avec le capuchon du robinet.



Installer le thermostat en utilisant un produit d'étanchéité pour tuyaux ou du ruban téflon.



Vérifier la présence de fuites en pressurant l'unité **LENTEMENT**.



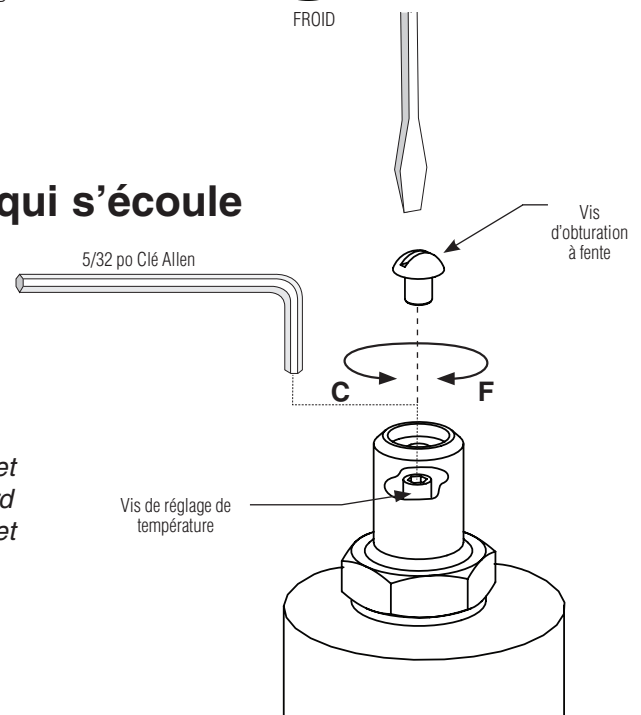
3 Régler la température avec l'eau qui s'écoule



Vérifier la température lorsque le débit d'eau atteint environ 20 GPM (équivalent à une douche d'urgence).



Cet appareil doit être vérifié pour sa température finale et ajusté si nécessaire. Le réglage de température standard pré-réglé en usine est à 29 °C (85 °F). [la plage du robinet va de 18 °C – 35 °C (65 °F – 95 °F)]. Consulter les autorités médicales et/ou de sécurité appropriées pour connaître la température optimale recommandée pour l'application en question.



4

Tester unité



NE PAS SAUTER CETTE ÉTAPE !!!

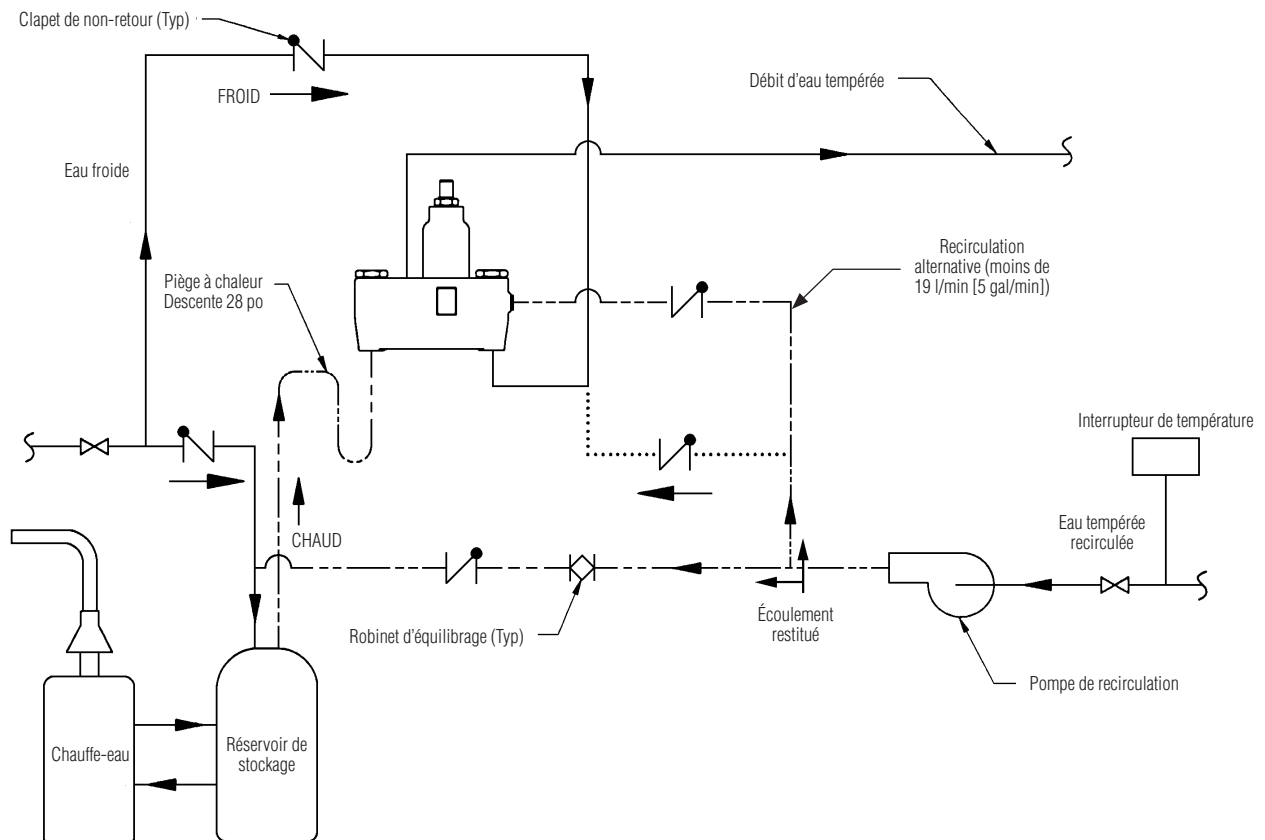
Fermer l'arrivée d'eau chaude en fermant le robinet d'arrivée d'eau chaude ou le clapet de non-retour. Pendant que l'alimentation d'eau chaude est coupée, vérifier que le débit d'eau froide continue de s'écouler. Si l'eau froide circule correctement, rouvrir l'alimentation d'eau chaude.

Fermer l'arrivée d'eau froide en fermant le robinet d'arrivée d'eau froide ou le clapet de non-retour. Pendant que l'alimentation d'eau froide est coupée, vérifier que le débit d'eau chaude s'est arrêté. Si l'eau chaude est arrêtée, rouvrir l'alimentation d'eau froide. Tester l'unité chaque semaine pour s'assurer d'un bon fonctionnement et d'un réglage de température désiré.

5 Configuration de recirculation d'eau optionnelle



Recirculer l'eau dans le système offre une régulation constante de la température de l'eau. Rincer les conduites d'alimentation complètement après avoir complété l'installation. Fermer tous les appareils et les identifier comme non disponibles pour utilisation durant le processus de recirculation.



1. Fermer la pompe de recirculation et ouvrir l'alimentation en eau au niveau de l'appareil d'urgence (un débit d'eau de 38-57 l/min [10-15 gal/min] est requis).
2. Laisser l'eau circuler à travers le système jusqu'à ce qu'une température constante soit obtenue). Si vous n'obtenez pas la température requise, consulter l'étape 3 à la page précédente pour un réajustement de la température.
3. Aussitôt que la température adéquate de l'eau est atteinte, ouvrir la pompe de recirculation (s'assurer que la température adéquate ait été atteinte avant de poursuivre).
4. Vérifier la température de l'eau au niveau de la pompe de retour. Si la température dépasse le niveau approprié par 1,1 °C (2 °F), ajuster l'interrupteur de limite supérieure de température (cela fermera la pompe). Attendre que la température de retour d'eau soit 2,8 °C (5 °F) sous le niveau approprié et ajuster l'interrupteur de limite inférieure (cela rouvrira la pompe).
5. Ouvrir complètement le robinet d'équilibrage.
6. Fermer tous les appareils et s'assurer qu'il n'y a pas d'eau qui circule à travers le système (le tuyau d'arrivée d'eau froide devrait être chaud au toucher).
7. Laisser le système fonctionner pendant 30 minutes ou plus sans eau. Si, après 30 minutes, la température de l'eau augmente, vous pouvez rajuster la température en fermant lentement le robinet d'équilibrage jusqu'à ce que la température appropriée soit atteinte.

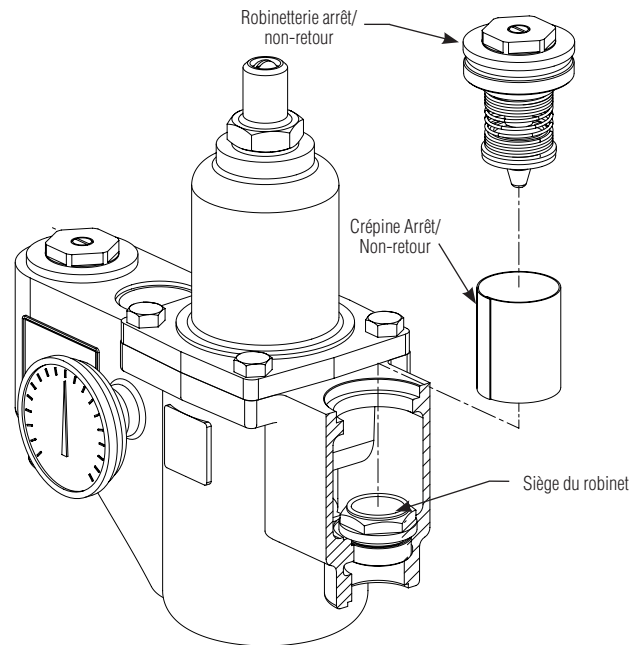
Dépannage du robinet mélangeur thermostatique

Avant d'essayer de dépanner le robinet ou de démonter les composants, vérifier ce qui suit :

- Les clapets d'arrêt/non-retour sont complètement ouverts (la tige à fente doit être égale avec le capuchon d'arrêt/non-retour) et que les robinets d'arrêt d'arrivée et de sortie sont ouverts
- Les canalisations d'arrivée chaude et froide sont correctement raccordées et il n'existe ni de raccordements croisés ni de fuite de clapets arrêt/non-retour.
- La sortie du chauffage d'eau est d'au moins 8,3 °C (15 °F) au dessus de la température réglée.



S'assurer de fermer les robinets d'arrêt adéquats avant de démonter le robinet et de les rouvrir après inspection et une fois la réparation terminée.



Problème	Cause	Solution
Fuites externes dans le système	Les joints NPT ou les joints toriques ont été endommagés.	Remplacer les joints NPT et/ou joints toriques le cas échéant. Pour tout remplacement de joints toriques, contacter le représentant Bradley et lui demander un Kit de joint torique (référence S65-289).
Aucun débit d'eau chaude (débit d'eau froide seulement)	Le thermostat est défectueux et donc le dispositif d'arrêt automatique de sécurité s'est enclenché.	Vérifier le thermostat : 1. Enlever le capuchon supérieur et retirer la tige de culbuteur et le thermostat. 2. Insérer une tige de 7/16 po de diamètre dans le soufflet du thermostat. 3. Marquer la course du soufflet du thermostat (à la température de la pièce, avec une force de 10 lb, la course du soufflet devrait être d'environ 7 cm—8,3 cm [2-3/4 po—3-1/4 po]). 4. Si la course du soufflet du thermostat n'est pas dans la plage appropriée, le thermostat doit être remplacé (il ne peut pas être réparé). Contacter le représentant Bradley et lui demander un Kit de thermostat (S65-178).
Débit d'eau limité	Le robinet d'arrêt d'arrivée est possiblement fermé partiellement ou il y a eu une diminution significative au niveau de la pression d'eau.	Nettoyer les clapets d'arrêt et de non-retour : Enlever ces derniers, nettoyer le tamis et le siège et remonter le robinet. Ne pas enlever le siège. Gratter les composants avec un tournevis pour enlever les débris. Des pincettes peuvent être utilisées pour enlever les débris du siège. Pour remplacer les clapets d'arrêt/de non-retour, contacter le représentant Bradley et demander un Kit de clapet d'arrêt/de non-retour (référence S65-212).
	La saleté et les débris se sont accumulés sur le siège ou le tamis des clapets d'arrêt/de non-retour, ce qui limite le mouvement de ces derniers.	
Température d'eau inadéquate ou fluctuation de température.	Les sections arrêt/non-retour du robinet ne se déplacent pas librement.	Nettoyer les clapets d'arrêt et de non-retour tel que décrit ci-dessus.
	Le thermostat commence à être défectueux.	Vérifier le thermostat tel que décrit ci-dessus, ou remplacer.
	La conduite d'alimentation d'arrivée vers le robinet mélangeur est partagée par les autres machines qui sont utilisées uniquement périodiquement, telles que les machines à laver ou les stations à siphon directe. Cela peut diminuer la pression d'arrivée au robinet mélangeur à moins de 0,7 bar (10 lb/po ²). La taille de la conduite d'alimentation peut ne pas être suffisamment large pour alimenter à la fois le robinet et les autres appareils ménagers.	Agrandir la taille de la conduite d'alimentation, reconfigurer la conduite d'alimentation ou réguler l'usage d'alimentation.
	La recirculation n'est pas équilibrée.	Réviser la configuration de la recirculation à la page 12.
	Le piston ne se déplace pas librement et doit être nettoyé.	Consulter la page suivante pour le démontage du piston et des instructions de nettoyage.

Dépannage : Démontage du piston et nettoyage

⚠ AVERTISSEMENT Afin de prévenir les blessures, utiliser de l'équipement de protection approprié pour les yeux et la peau lorsque vous utilisez un chalumeau à propane.

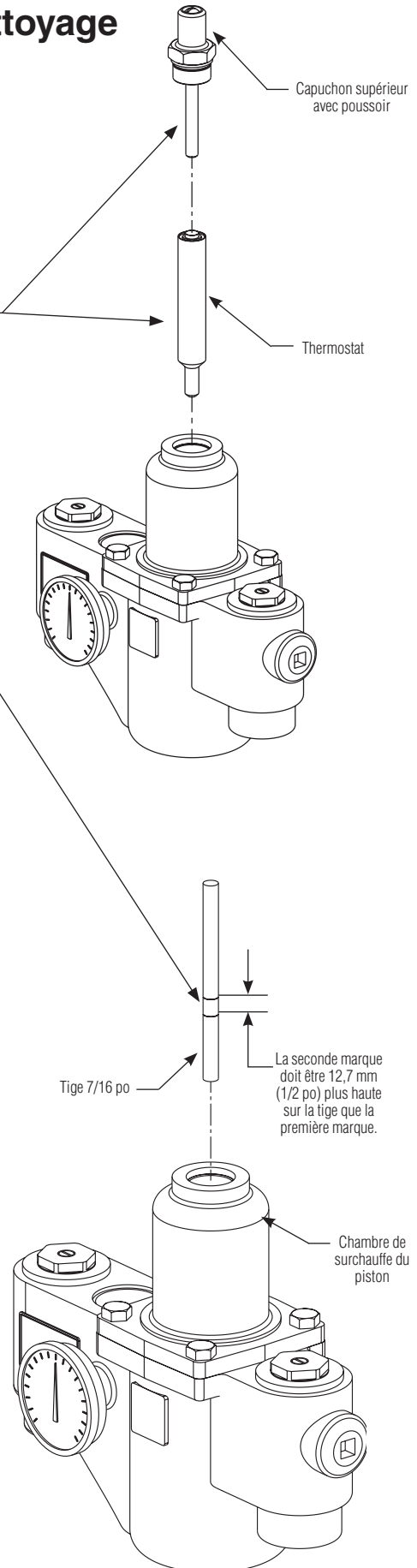
A Enlever le capuchon supérieur et retirer la tige de culbuteur puis le thermostat. Vous pouvez utiliser des pinces à becs fins pour enlever le thermostat du corps du robinet si désiré.

B Insérer une tige de 7/16 po de diamètre dans le robinet et dans la chambre de surchauffe du piston. Marquer la longueur de la tige à l'intérieur du robinet. Pousser la tige jusqu'à ce que le piston arrête et marquer la nouvelle longueur.

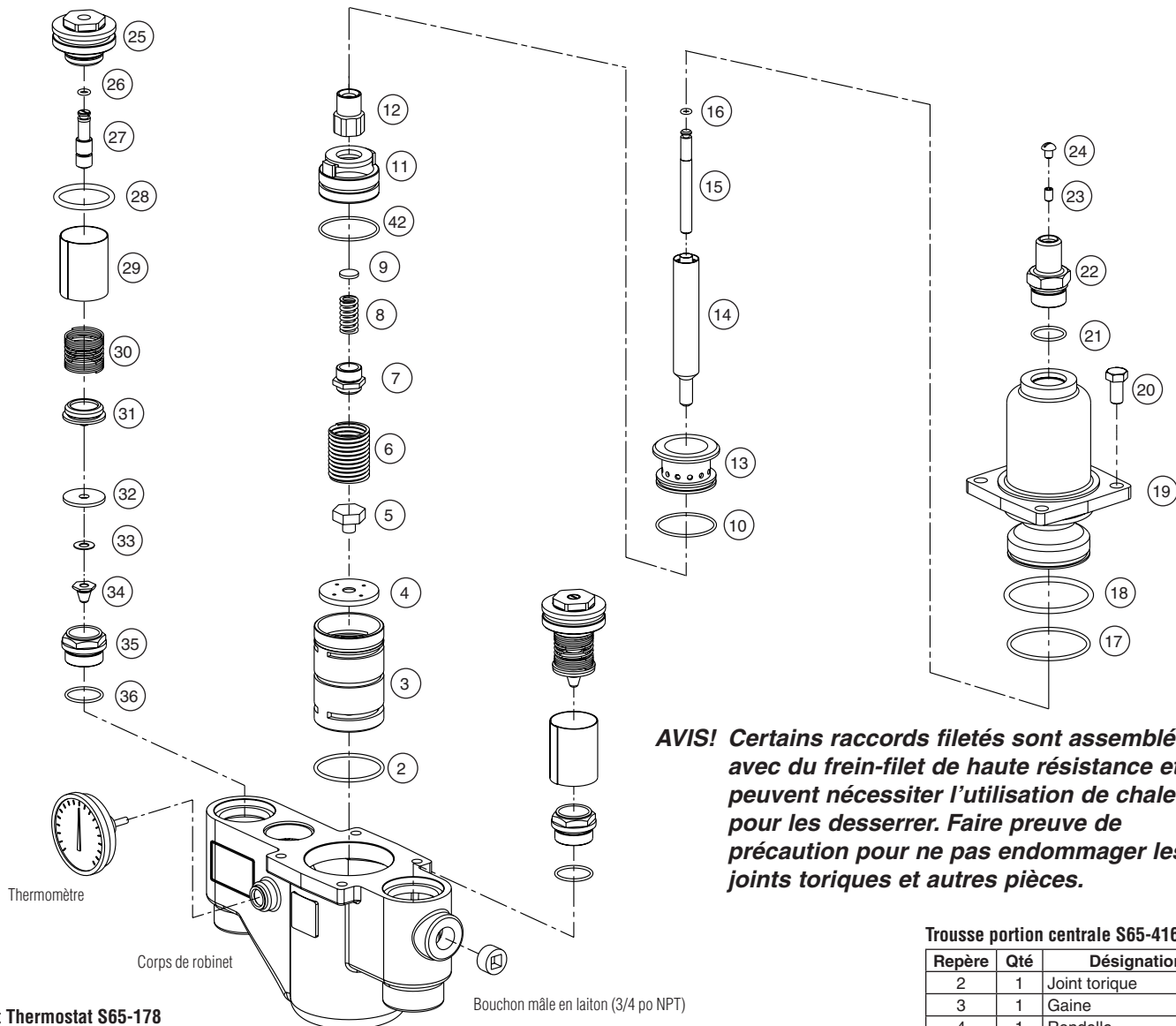
Si la tige se déplace de moins de 12,7 mm (1/2 po), le piston ne se déplace pas librement en dedans du revêtement et doit être nettoyé :

- C**
1. Retirer l'ensemble section de contrôle, le capuchon supérieur et le thermostat.
 2. Enlever le revêtement du capuchon (il est collé ensemble; les joints toriques doivent être enlevés et de la chaleur doit être appliquée pour faire fondre la colle et desserrer le revêtement).
 3. Nettoyer le piston et le revêtement avec tout nettoyant approprié pour du cuivre ou de l'acier inoxydable (du papier sablé grosseur 400 peut être utilisé pour polir et affuter le piston et le revêtement).

D Pousser le mécanisme en haut et en bas plusieurs fois pour s'assurer que le piston se déplace librement et de façon constante. Si non constant, répéter la Procédure C jusqu'à satisfaction, ou remplacer. Contacter votre représentant Bradley et lui demander un Kit de Piston/Revêtement (référence S65-288).



Liste des pièces



AVIS! Certains raccords filetés sont assemblés avec du frein-filet de haute résistance et peuvent nécessiter l'utilisation de chaleur pour les desserrer. Faire preuve de précaution pour ne pas endommager les joints toriques et autres pièces.

Kit Thermostat S65-178

Repère	Qté	Désignation
14	1	Thermostat
16	1	Joint torique
21	1	Joint torique

Kit Piston et Revêtement S65-288

Repère	Qté	Désignation
2	1	Joint torique
3	1	Gaine
4	1	Rondelle
5	1	Vis
6	1	Ressort
7	1	Chambre de surchauffe inférieure
8	1	Ressort
9	1	Rondelle
10	1	Joint torique
11	1	Piston
12	1	Chambre de surchauffe supérieure
13	1	Siège supérieur
42	1	Joint torique

Kit Rondelle/Joint S65-312

Repère	Qté	Désignation
4	1	Rondelle
9	1	Rondelle
32	2	Joint
33	2	Rondelle

Kit Joint torique S65-289

Repère	Qté	Désignation
2	1	Joint torique
10	1	Joint torique
16	1	Joint torique
17	1	Joint torique
18	1	Joint torique
21	1	Joint torique
26	2	Joint torique
28	2	Joint torique
36	2	Joint torique
42	1	Joint torique

Kit Arrêt/Non-retour S65-212

Repère	Qté	Désignation
25	2	Capuchon
26	2	Joint torique
27	2	Tige
28	2	Joint torique
29	2	Crépine
30	2	Ressort
31	2	Support (pour Joint)
32	2	Joint
33	2	Rondelle
34	2	Écrou
35	2	Siège
36	2	Joint torique

Trousse portion centrale S65-416

Repère	Qté	Désignation
2	1	Joint torique
3	1	Gaine
4	1	Rondelle
5	1	Vis
6	1	Ressort
7	1	Chambre de surchauffe inférieure
8	1	Ressort
9	1	Rondelle
10	1	Joint torique
11	1	Piston
12	1	Chambre de surchauffe supérieure
13	1	Siège supérieur
14	1	Thermostat
15	1	Poussoir
16	1	Joint torique
17	1	Joint torique
18	1	Joint torique
19	1	Capuchon du robinet mélangeur
20	4	Vis
21	1	Joint torique
22	1	Capuchon de commande
23	1	Vis calante
24	1	Vis
42	1	Joint torique

ADVERTENCIA

No realizar una instalación correcta ni seguir las instrucciones de mantenimiento podría contribuir a la falla de la válvula, lo que puede provocar lesiones corporales graves como quemaduras, enfriamiento o la muerte, dependiendo de los cambios de presión del agua del sistema y los cambios de temperatura del agua del sistema.

Use esta mezcladora termostática de acuerdo con la norma ASSE 1071. El funcionamiento de las válvulas y los accesorios de la mezcladora termostática se deben probar semanalmente según la norma ANSI/ISEA Z358.1. Esta válvula no ofrece protección contra el congelamiento de las tuberías.

La temperatura de salida de la válvula se debe revisar y ajustar en la instalación inicial y luego, cada tres meses.

Asegúrese de purgar todas las tuberías de suministro de agua y que estén completamente cerradas antes de comenzar la instalación. Los desechos acumulados en las tuberías de suministro pueden provocar defectos en el funcionamiento de las válvulas.

Si se instalan válvulas de retención para fines de mantenimiento, se deben tomar medidas para evitar el corte no autorizado.

AVISO

Es necesario revisar y limpiar regularmente los componentes internos y los topes de retención de la válvula para extender al máximo la vida útil de esta y el funcionamiento adecuado del producto. Se requiere que un contratista certificado realice las inspecciones periódicas y el mantenimiento anual. Las condiciones corrosivas del agua y los ajustes o reparaciones no autorizados podrían dejar a la válvula inutilizada para el servicio que debe proporcionar. La frecuencia de la limpieza y las inspecciones dependen de las condiciones locales del agua.

IMPORTANTE

Lea en su totalidad este manual de instalación para garantizar una instalación adecuada. Al completar la instalación, entregue este manual al propietario o al Departamento de Mantenimiento. Es responsabilidad del instalador cumplir a cabalidad los códigos y las ordenanzas locales.

Consulte los códigos locales de edificación y plomería antes de la instalación. Si estos códigos difieren de la información de este manual, siga los códigos locales. Pregunte los requisitos locales adicionales a las autoridades gubernamentales.

Deberá ser posible acceder a las válvulas para realizar pruebas, ajustes y mantenimiento en la posición instalada.

Saque las piezas del embalaje y asegúrese de haberlas sacado todas antes de desecharlo. Si falta alguna pieza, no comience la instalación hasta obtenerla.

Las garantías del producto se pueden encontrar en la sección "Products" (Productos) del sitio Web, bradleycorp.com.

Materiales recomendados para la instalación

- Cierre bloqueable en la salida si se suministra agua temperada a uno o más accesorios de emergencia
- Cierre bloqueable de las entradas o de los suministros
- (6) anclajes y sujetadores de pared de 3/8 pulg. para el gabinete montado en la superficie
- (4) sujetadores de 1/4 pulg. (y anclajes de pared, si fuera necesario) para el gabinete empotrado
- Uniones en todas las conexiones para facilitar el retiro de la válvula

Herramientas necesarias para el ajuste de temperatura

- Llave Allen de 5/32 pulg.
- Destornillador de paleta

1 Instale el gabinete opcional (si no va a instalar el gabinete, siga con el Paso 2)

Gabinete empotrado:

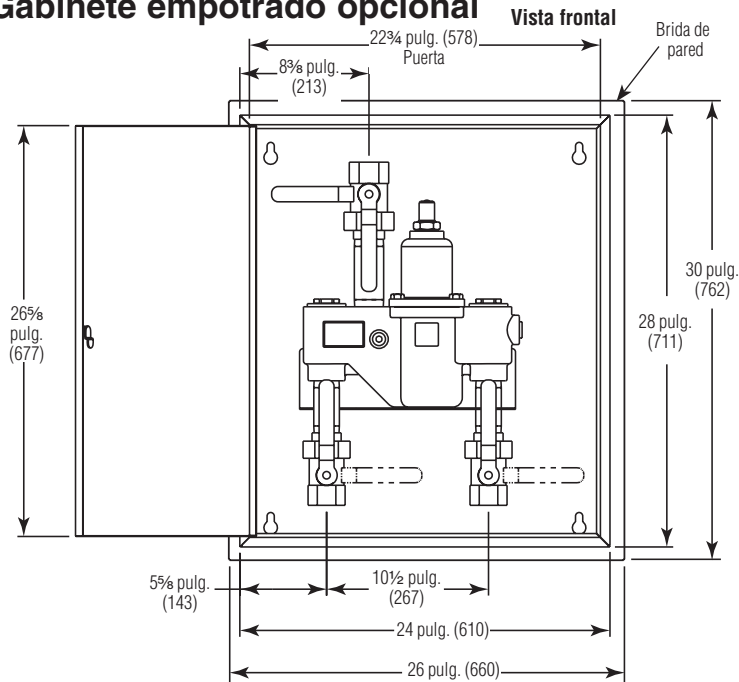
1. Orificio de colocación en la pared de 62 cm (24-1/2 pulg.) de ancho x 72.4 cm (28-1/2 pulg.).
2. Inserte y fije el gabinete con cuatro sujetadores de 1/4 pulg. (proporcionado por el instalador) anclados apropiadamente a la pared.
3. Instale los dos anclajes y tornillos a través del soporte de la válvula en la parte trasera del gabinete en una abrazadera firme (proporcionada por el instalador) o en la pared. Esto soportará la válvula.
4. Instale los niples de la válvula y la mitad de la válvula de bolas de la unión, usando sellador para tubos o cinta de teflón. Instale la otra mitad de la válvula de bolas de la unión en el tubo de entrada y salida.
5. Inserte la válvula en el soporte del gabinete (primero el lado derecho). Continúe con el procedimiento de instalación de la válvula.
6. Ponga firmemente la brida de pared en la pared y aplique masilla para fijarla en su lugar.

Gabinete montado en la superficie:

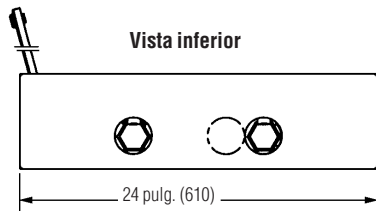
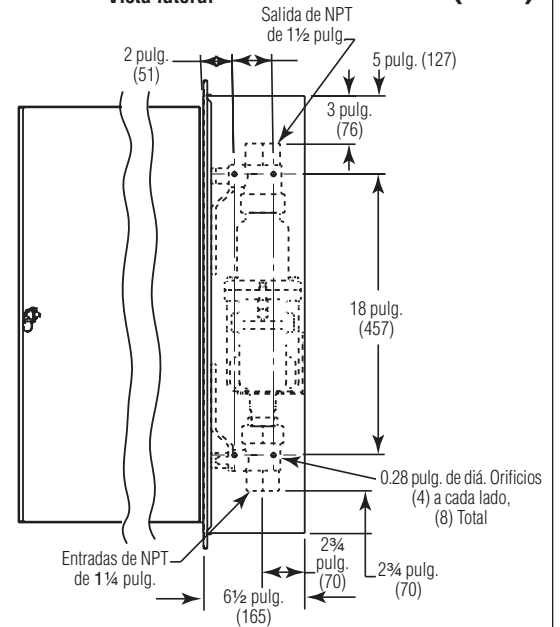
1. Mida y marque la ubicación de los orificios de montaje del gabinete en las dimensiones que se muestran en la siguiente página. Instale seis anclajes de pared de 3/8 pulg. (proporcionados por el instalador).
2. Ponga el gabinete en la pared y fíjelo en su lugar con seis sujetadores de pared de 3/8 pulg. (proporcionados por el instalador).
3. Instale los niples de la válvula y la mitad de la válvula de bolas de la unión, usando sellador para tubos o cinta de teflón. Luego, instale la otra mitad de la válvula de bolas de la unión en el tubo de entrada y salida.
4. Inserte la válvula en el soporte del gabinete (primero el lado derecho de la válvula). Continúe con el procedimiento de instalación de la válvula.

Gabinete empotrado opcional

(mm)

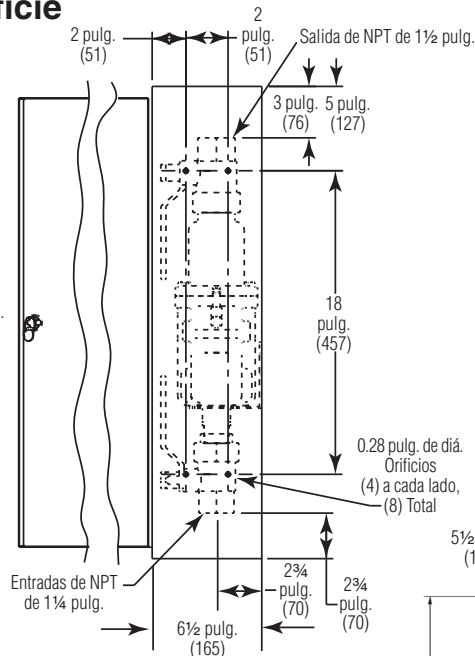
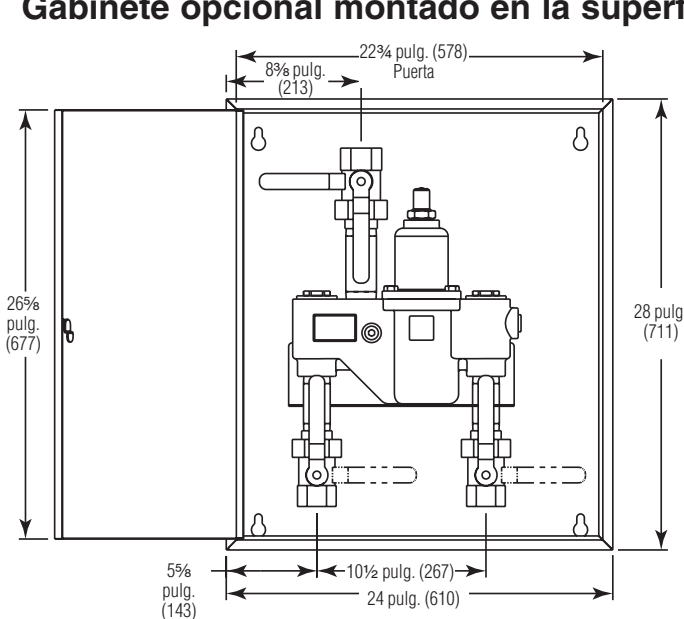


Vista lateral

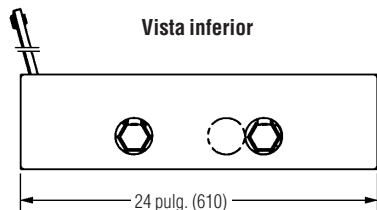
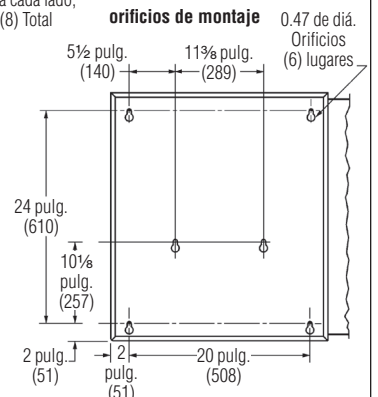


Orificio de la pared: 62 cm (24 1/2 pulg.) de ancho x 72 cm (28 1/2 pulg.) de alto

Gabinete opcional montado en la superficie



Ubicación de los orificios de montaje



2 Conecte las tuberías de suministro e instale el termómetro



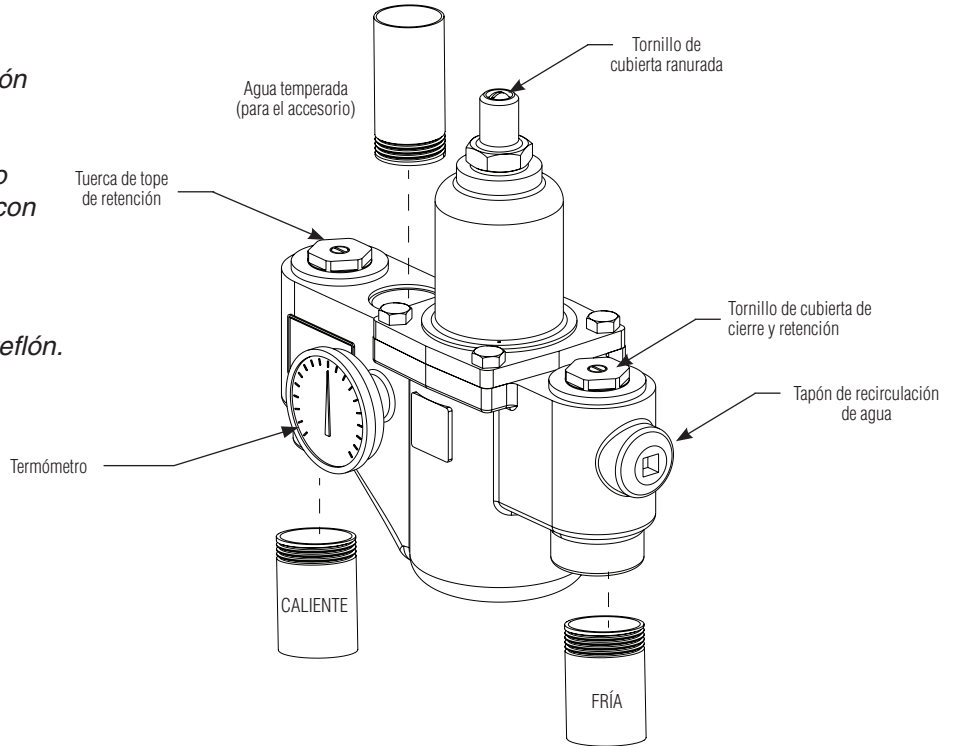
Cuando las válvulas de retención estén en la posición abierta (funcionando), el tornillo de la cubierta del vástago de cierre o retención debe estar alineado con la tapa de la válvula.



Instale el termómetro usando sellador para tubos o cinta de teflón.



Revise si hay filtraciones, presurizando la unidad LENTAMENTE.



3 Ajuste la temperatura con el agua corriendo



Revise la temperatura cuando se alcance aproximadamente a 38 LPM (20 GPM) de caudal de agua (equivalente a una ducha).



Se debe revisar la temperatura final de este dispositivo y ajustarla, según sea necesario. La configuración estándar de la temperatura predeterminada de fábrica es 29 °C (85 °F). [el rango de la válvula es de 18 °C a 35 °C (65 °F a 95 °F)]. Consulte a las autoridades médicas o de seguridad correspondientes sobre la temperatura óptima recomendada para la aplicación en particular.



4 Unidad de prueba



¡NO SE SALTE ESTE PASO!

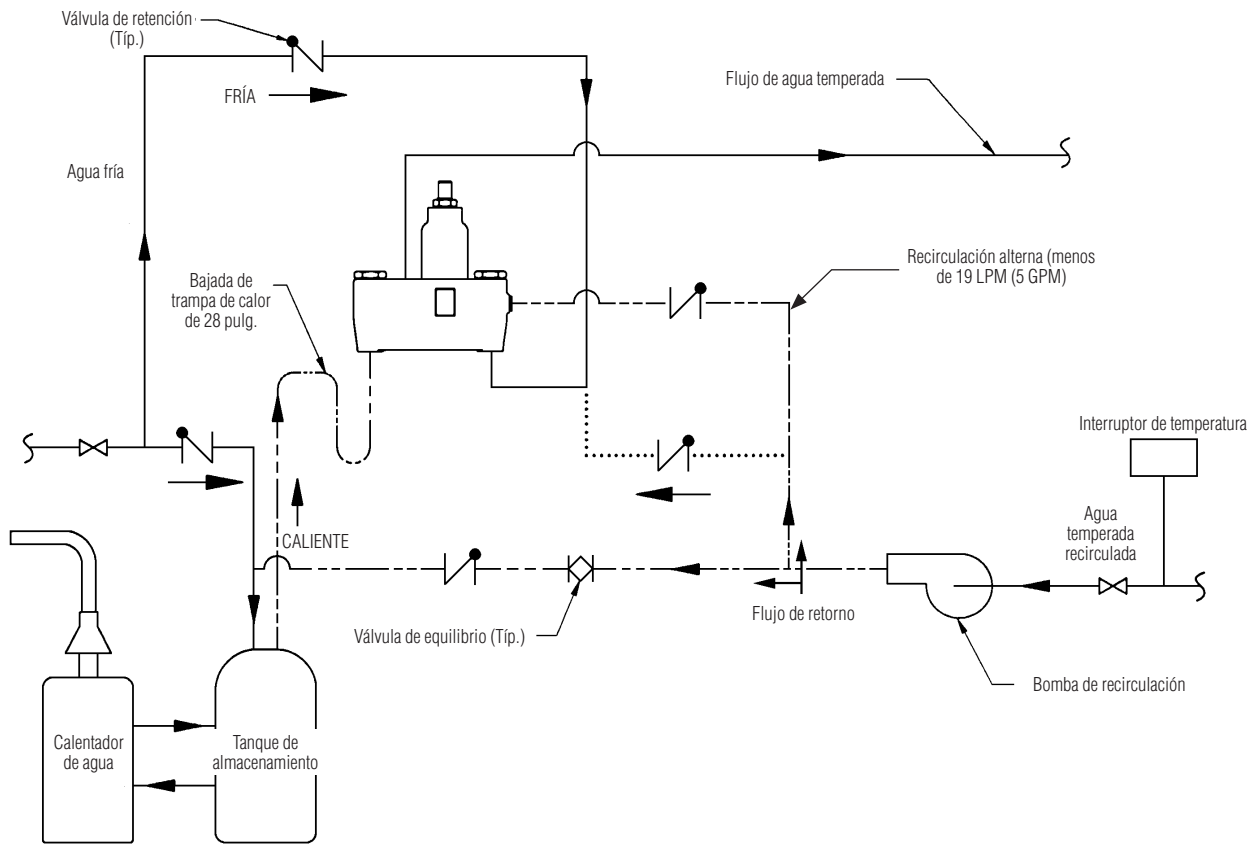
Corte el suministro de agua caliente cerrando la válvula de entrada de agua caliente o la válvula de retención de suministro. Con el suministro de agua caliente cerrado, verifique que siga fluyendo agua fría. Si el agua fría fluye correctamente, vuelva a abrir el suministro de agua caliente.

Corte el suministro de agua fría cerrando la válvula de entrada de agua fría o la válvula de retención de suministro. Con el suministro de agua fría cerrado, verifique que se haya detenido el flujo de agua caliente. Si se detiene el agua caliente, vuelva a abrir el suministro de agua fría. Revise la unidad semanalmente para verificar el funcionamiento apropiado y el ajuste deseado de la temperatura.

5 Instalación de recirculación opcional de agua



La recirculación del agua en el sistema proporciona regulación constante de la temperatura del agua. Purgue las tuberías de suministro completamente antes de terminar la instalación. Cierre todos los accesorios y etiquételos como no disponibles para usarse durante el proceso de recirculación.

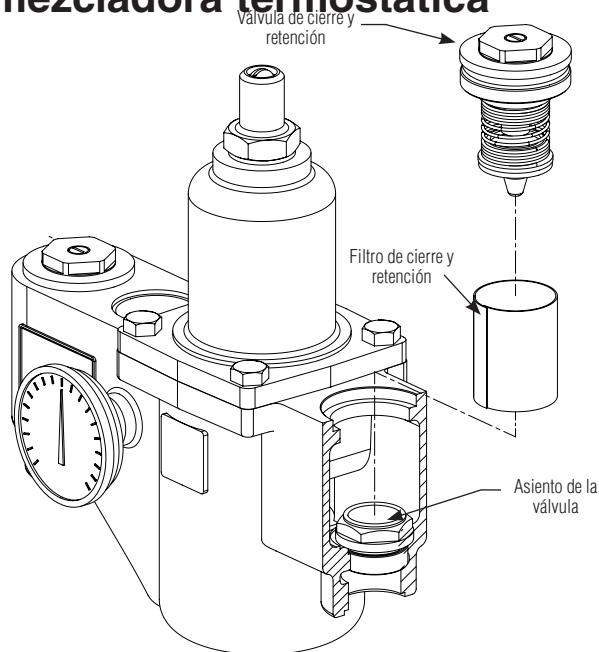


1. Apague la bomba de recirculación y abra el suministro de agua en los accesorios de emergencia [se requiere un caudal de agua de 38 a 57 LPM (10 a 15 GPM)].
2. Deje que el agua corra a través del sistema hasta que alcance una temperatura constante. Si no obtiene la temperatura necesaria, consulte el paso N.º 3 en la página anterior para volver a ajustar la temperatura.
3. Tan pronto como el agua alcance la temperatura apropiada, encienda la bomba de recirculación (antes de proceder, asegúrese de que se haya alcanzado la temperatura adecuada en el sistema).
4. Revise la temperatura del agua en la bomba de retorno. Si la temperatura excede el nivel apropiado en 1,1 °C (2 °F), ajuste el interruptor del límite superior de temperatura (esto apagará la bomba). Espere hasta que la temperatura del agua de retorno esté a 2,8 °C (5 °F) por debajo del nivel apropiado y ajuste el interruptor del límite inferior (esto volverá a encender la bomba).
5. Abra completamente la válvula de equilibrio.
6. Desconecte todos los accesorios y asegúrese de que no fluya agua por el sistema (el tubo de entrada de agua fría debe sentirse tibio al tacto).
7. Deje que el sistema funcione sin agua durante 30 minutos o más. Si, después de treinta minutos, aumenta la temperatura del agua, puede volver a ajustar la temperatura cerrando lentamente la válvula de equilibrio hasta que se alcance la temperatura adecuada.

Solución de problemas de la válvula mezcladora termostática

Antes de intentar solucionar problemas de la válvula o desensamblar los componentes, revise lo siguiente:

- Que las válvulas de cierre o retención estén completamente abiertas (el vástago ranurado debe estar alineado con la tapa de cierre o retención) y que estén abiertas todas las válvulas de retención de entrada y salida
- Que los tubos de entrada de agua caliente y fría estén conectados correctamente y que no existan conexiones cruzadas ni válvulas de cierre o retención con filtraciones.
- La salida del calentador de agua esté al menos a 8,3 °C (15 °F) por sobre la temperatura establecida.



Asegúrese de cerrar las válvulas de retención correspondientes antes de desensamblar la válvula, y vuelva a abrir las válvulas después de completar la inspección y la reparación.

Problema	Causa	Solución
Filtraciones externas en el sistema	Es posible que se hayan dañado las juntas NPT o las juntas tóricas.	Reemplace las juntas NPT o las juntas tóricas, donde sea necesario. Para el reemplazo de las juntas tóricas, comuníquese con el representante local de Bradley y consulte por el kit (S65-289) de sellos de juntas tóricas.
No fluye agua caliente (fluye solamente agua fría)	Falló el termostato y, en consecuencia, se enganchó la retención de seguridad.	Inspección del termostato: 1. Retire la tapa superior y saque la varilla de empuje y el termostato. 2. Inserte una barra de 7/16 pulg. diá. en el fuelle del termostato. 3. Marque la longitud del fuelle del termostato [a temperatura ambiente, con 44,5 N de fuerza (10 libras fuerza), la longitud del fuelle debe ser aproximadamente de 7 cm—8,3 cm (2-3/4 pulg.—3-1/4 pulg.)]. 4. Si la longitud del fuelle del termostato no está en el rango apropiado, se debe reemplazar el termostato (no se puede reparar). Comuníquese con el representante local de Bradley y consulte por el Kit (S65-178) del termostato.
Flujo limitado de agua	Es posible que la entrada de la válvula de retención esté parcialmente cerrada o haya disminuido significativamente la presión de agua.	
	Se acumuló suciedad y desechos en la rejilla o asiento de retención, limitando el movimiento de cierre y retenciones.	Limpie las válvulas de cierre y retención: Retire el cierre y las retenciones, limpie la rejilla y el asiento y vuelva a ensamblar la válvula. No retire el asiento. Los componentes se pueden raspar con un destornillador para retirar los desechos. Un par de pinzas funciona bien para sacar los desechos del asiento. Si es necesario reemplazar el cierre y las retenciones, comuníquese con el representante local de Bradley y consulte por el kit (S65-212) de retención/cierre.
Fluctuación de la temperatura o temperatura incorrecta	Las secciones de cierre y retención de la válvula no se mueven libremente.	Limpie las válvulas de cierre y retención como se describe anteriormente.
	El termostato lentamente comienza a fallar.	Revise el termostato como se describe anteriormente o reemplácelo.
	La tubería de suministro de entrada hacia la válvula mezcladora se comparte con otras piezas del equipo que se usan solamente en forma periódica, tales como aparatos de lavandería o estaciones de flujo. Esto puede reducir la presión de entrada hacia la válvula mezcladora a menos de 0,7 bar (10 PSI). Es posible que el tamaño de la tubería de suministro no sea lo suficientemente grande para dar suministro a la válvula y a los otros aparatos.	Aumente el tamaño de la tubería de suministro, vuelva a configurar la tubería de suministro o regule el uso del suministro.
	La recirculación no está equilibrada.	Revise la instalación de la recirculación en la página 19.
	El pistón no se mueve libremente y se debe limpiar.	Consulte la página siguiente para ver las instrucciones de desensamble y limpieza.

Solución de problemas: Desensamble y limpieza del pistón



Para evitar lesiones, use el equipo adecuado de protección para los ojos y para la piel cuando use soplete de propano.

A

Retire la tapa superior de la válvula y saque la varilla de empuje y luego el termostato. Se puede usar un alicates de punta de aguja para retirar el termostato desde el cuerpo de la válvula.

B

Inserte una varilla de 7/16 pulg. de diá. en la válvula y en la cámara de sobrecalentamiento del pistón. Marque la longitud de la varilla dentro de la válvula. Empuje la varilla hasta que se detenga el pistón y marque la nueva longitud.

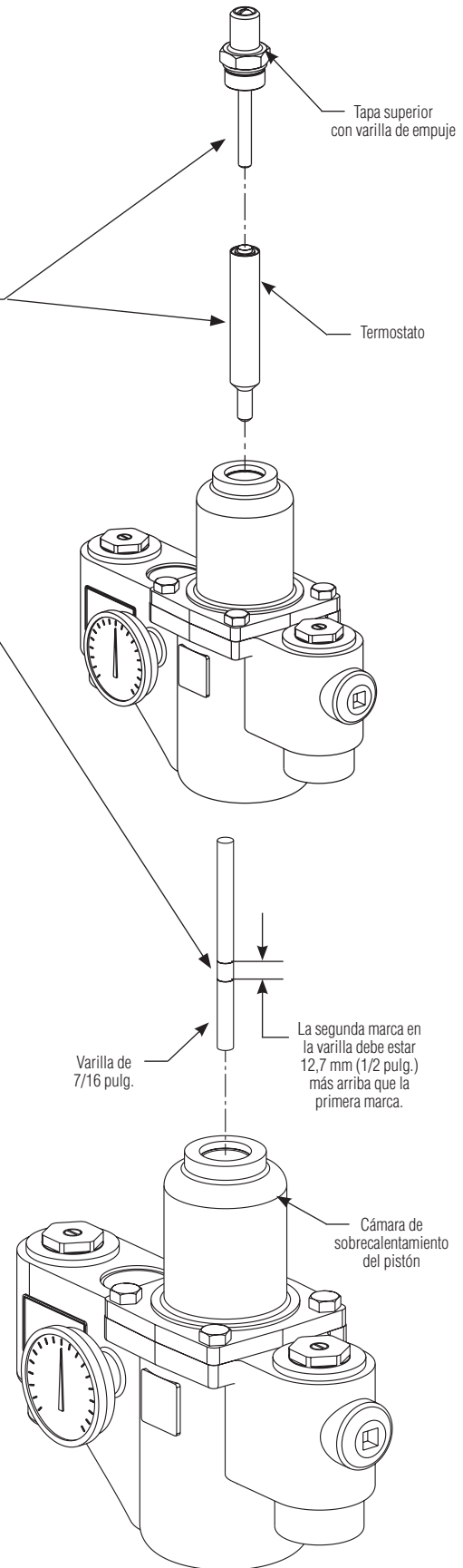
C

Si la varilla se desplaza menos de 12,7 mm (1/2 pulg.), el pistón no se mueve libremente dentro del revestimiento y se deben limpiar:

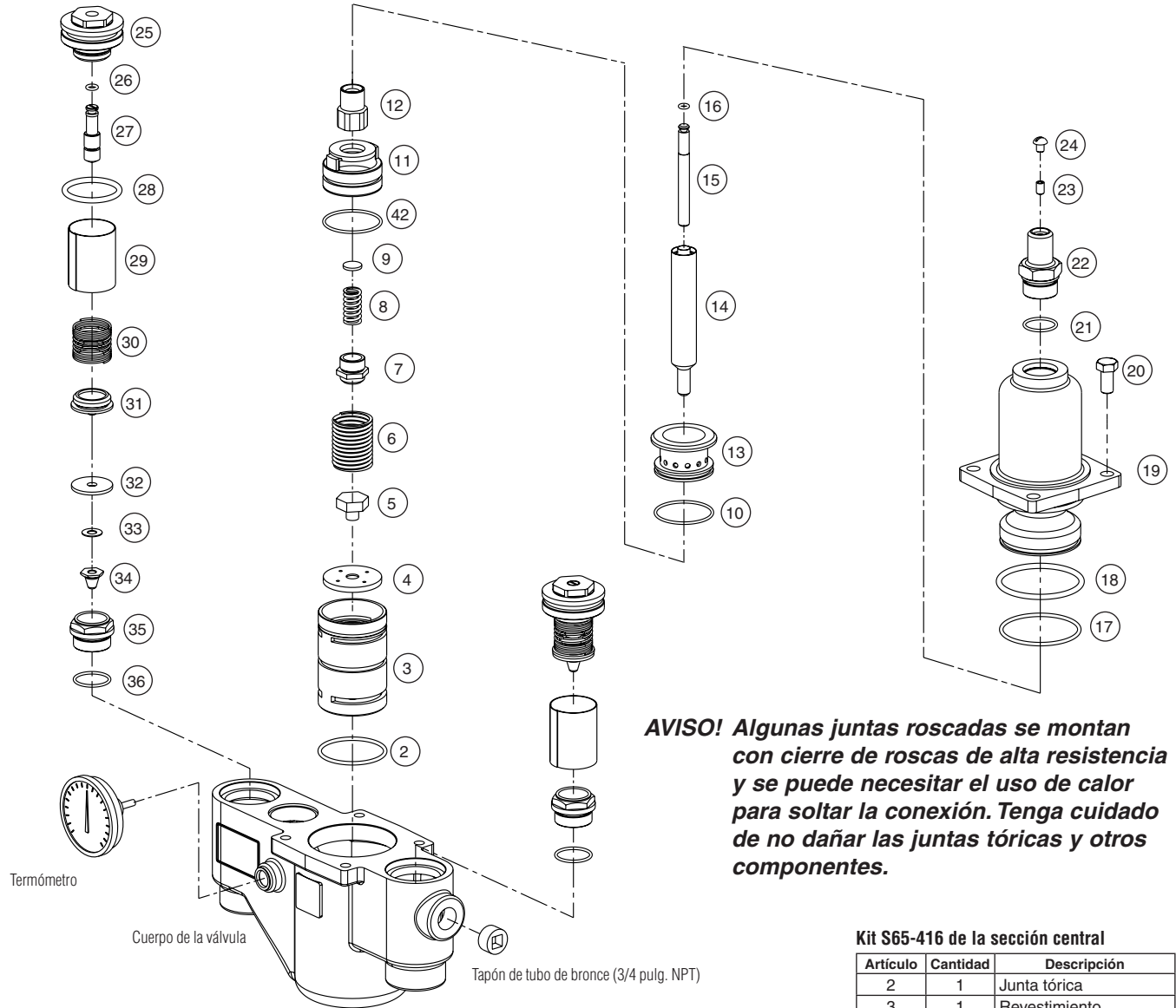
1. Retire el conjunto de la sección de control, la tapa superior y el termostato.
2. Desenrosque el revestimiento desde la tapa (si está pegado; se deben retirar las juntas tóricas y se debe aplicar calor para derretir el pegamento y soltar el revestimiento).
3. Limpie el pistón y el revestimiento con cualquier limpiador adecuado para bronce y acero inoxidable (se puede utilizar papel de lija grano 400 para pulir y afinar el pistón y el revestimiento).

D

Empuje el mecanismo hacia arriba y hacia abajo varias veces para asegurarse de que el pistón se mueva suave y constantemente. Si es constante, repita el Procedimiento C hasta que se mueva libremente o cámbielo. Comuníquese con el representante local de Bradley y consulte por el Kit del pistón y revestimientos (número de pieza S65-288).



Desglose de piezas



AVISO! Algunas juntas roscadas se montan con cierre de roscas de alta resistencia y se puede necesitar el uso de calor para soltar la conexión. Tenga cuidado de no dañar las juntas tóricas y otros componentes.

Kit S65-178 del termostato

Artículo	Cantidad	Descripción
14	1	Termostato
16	1	Junta tórica
21	1	Junta tórica

Kit S65-288 del pistón y revestimientos

Artículo	Cantidad	Descripción
2	1	Junta tórica
3	1	Revestimiento
4	1	Arandela
5	1	Tornillo
6	1	Resorte
7	1	Cámara inferior de sobrecalentamiento
8	1	Resorte
9	1	Arandela
10	1	Junta tórica
11	1	Pistón
12	1	Cámara superior de sobrecalentamiento
13	1	Asiento superior
42	1	Junta tórica

Kit S65-312 de arandelas y sellos

Artículo	Cantidad	Descripción
4	1	Arandela
9	1	Arandela
32	2	Sello
33	2	Arandela

Kit S65-289 de juntas tóricas

Artículo	Cantidad	Descripción
2	1	Junta tórica
10	1	Junta tórica
16	1	Junta tórica
17	1	Junta tórica
18	1	Junta tórica
21	1	Junta tórica
26	2	Junta tórica
28	2	Junta tórica
36	2	Junta tórica
42	1	Junta tórica

Kit S65-212 de retención/cierre

Artículo	Cantidad	Descripción
25	2	Tapa
26	2	Junta tórica
27	2	Vástago
28	2	Junta tórica
29	2	Filtro
30	2	Resorte de suministro de agua caliente
31	2	Soporte (para sello)
32	2	Sello
33	2	Arandela
34	2	Tuerca
35	2	Asiento
36	2	Junta tórica

Kit S65-416 de la sección central

Artículo	Cantidad	Descripción
2	1	Junta tórica
3	1	Revestimiento
4	1	Arandela
5	1	Tornillo
6	1	Resorte
7	1	Cámara inferior de sobrecalentamiento
8	1	Resorte
9	1	Arandela
10	1	Junta tórica
11	1	Pistón
12	1	Cámara superior de sobrecalentamiento
13	1	Asiento superior
14	1	Termostato
15	1	Varilla de empuje
16	1	Junta tórica
17	1	Junta tórica
18	1	Junta tórica
19	1	Tapa de la válvula mezcladora
20	4	Tornillo
21	1	Junta tórica
22	1	Tapa de control
23	1	Tornillo de ajuste
24	1	Tornillo
42	1	Junta tórica