

Installation

S19-120G

Cord-Operated Drench Shower

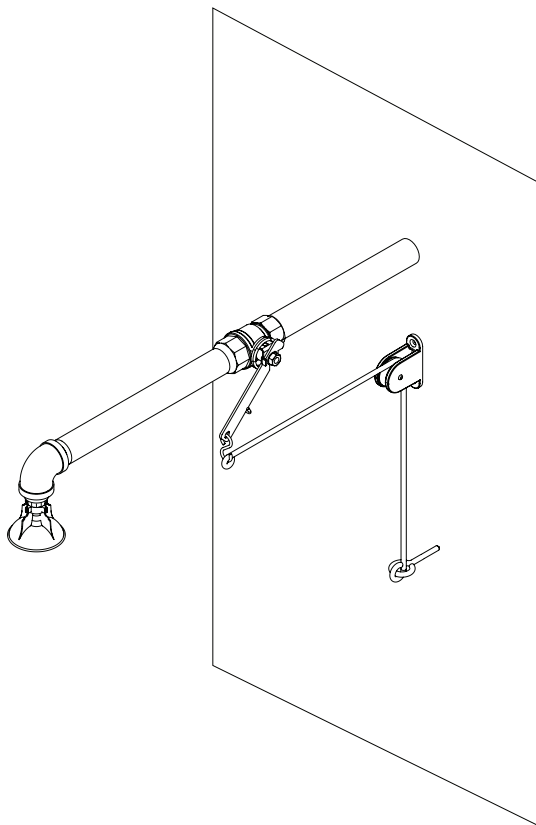
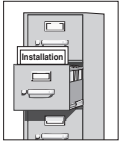


Table of Contents

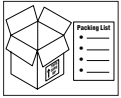
Pre-Installation Information	2
Installation Instructions	3
Assembly of Components	4
Parts List	4

Model S19-120G is not ANSI compliant.

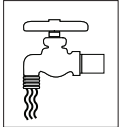
 **IMPORTANT** 



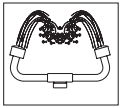
Read this installation manual completely to ensure proper installation, then file it with the owner or maintenance department. Compliance and conformity to drain requirements and other local codes and ordinances is the responsibility of the installer.



Separate parts from packaging and make sure all parts are accounted for before discarding any packaging material. If any parts are missing, do not begin installation until you obtain the missing parts.



Flush the water supply lines before beginning installation and after installation is complete. Test the unit for leaks and adequate water flow. Main water supply to the eyewash should be "ON" at all times. Provisions shall be made to prevent unauthorized shutoff.



The ANSI Z358.1 standard requires an uninterrupted supply of flushing fluid. Bradley plumbed emergency fixtures require a minimum of 30 PSI (0.21 MPa) flowing pressure. Flushing fluid should be tepid per ANSI Z358.1



The inspection and testing results of this equipment should be recorded weekly to verify proper operation. Emergency fixtures with self-closing ball valves do not comply with ANSI Z358.1.



Workers who may come in contact with potentially hazardous materials should be trained regarding the placement and proper operation of emergency equipment per ANSI Z358.1.



For questions regarding the operation or installation of this product, visit www.bradleycorp.com or call 1-800-BRADLEY.

Product warranties and parts information may also be found under "Products" on our web site at www.bradleycorp.com.

Installation

Supplies Required:

- (3) 3/8" floor anchors and bolts
- Teflon tape and pipe sealant
- Piping to 1 1/4" NPT water supply inlet and to 1 1/4" NPT drain outlet on unit
- Adequate supply pipe supports
- Min. 4" drain to accommodate 30 gallons per minute discharge for shower waste
- OPTIONAL: sign-mounting hardware

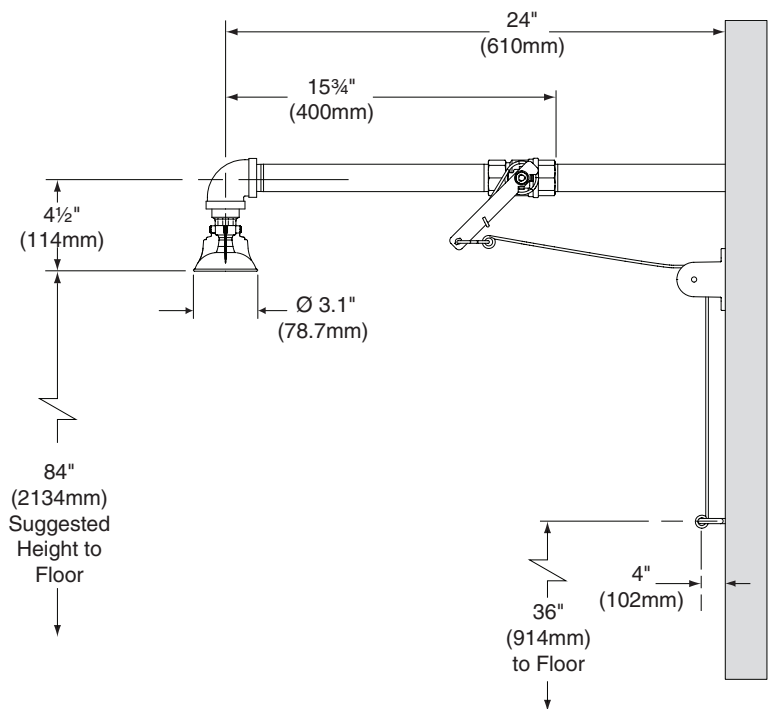
Step 1: Assemble components

1. Assemble the components as shown on page 4.
 - Apply pipe sealant to all male-threaded pipe joints.
 - Bottom edge of showerhead should be 84" (2134 mm) from the floor.

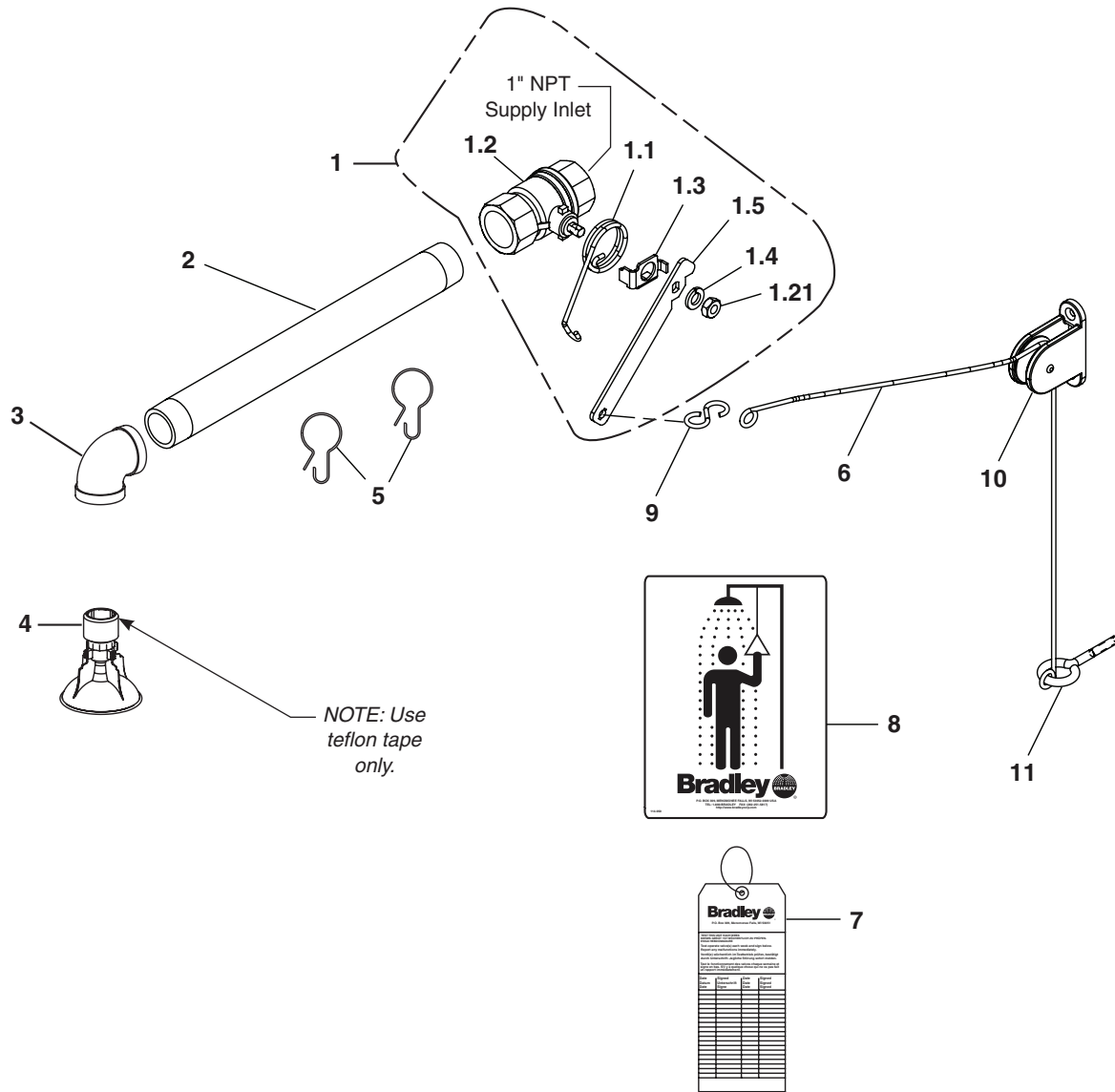
Step 2: Connect water supply

Do not rely on Bradley's Drench Shower to support supply piping.

2. Connect water supply piping to 1" NPT inlet on unit (piping supplied by installer). Provide adequate supports (supplied by installer) for supply pipe using pipe hangers or other means.
3. Hang the safety sign from the unit with the curtain hooks provided (or mount it to the wall using sign-mounting hardware by installer).
4. Open water supply lines. Test for leaks and adequate water flow.



Assembly of Components



Parts List

Item	Part No.	Qty.	Description	Item	Part No.	Qty.	Description
1	S19-001VV	1	Self-Closing Spring Assembly	4	S24-188	1	Plastic Showerhead Assembly
1.1	S19-001V	1	Spring	5	151-001	2	Curtain Hook
1.2	S27-286	1	Ball Valve with Jam Nut	6	169-860A	1	¼" Nylon Cord
1.21	110-214	1	Jam Nut only	7	204-421	1	Emergency Inspection Tag
1.3	140-720	1	Stop Bracket	8	114-050	1	Safety Sign
1.4	142-002CH	1	Washer	9	269-646	1	"S" Hook
1.5	128-175	1	Handle	10	269-655	1	Pulley
2	113-006LK	1	Pipe, 1" NPT x 12"	11	269-765	1	Eye Screw
3	169-847	1	90° Elbow 1" NPT				