

Combi1[™]

Residential Atmospheric Vent Combi1[™] Gas Water Heater System



Photo is of
C-SW2-504T10FBN

FEATURING:



The Combi1[™] FVIR Defender Safety System[®] Model Features (C-SW2-504T10FBN model only):

- **Advanced ScreenLok[®] Technology Flame Arrestor Design**—Flame arrestor is designed to prevent ignition of flammable vapor outside of the water heater.
- **Resettable Thermal Switch**—Proven and reliable bimetallic switch prevents burner and pilot operation in case of ongoing flammable vapors burning inside of the combustion chamber or restricted air flow.
- **Maintenance Free**—Regular cleaning of air inlet openings or flame arrestor is not required under normal conditions.
- **Sight Window**—Offers a view into the combustion chamber to observe the operation of the pilot and burner.

All Combi1[™] Models Feature:

- **Bradford White ICON System[®]**—Intelligent gas control with proven millivolt powered technology and built-in piezo igniter. A standard, off-the-shelf thermopile converts heat energy from the pilot flame into electrical energy to operate the gas valve and microprocessor. No need for external electricity.
 - **Enhanced Performance**—Proprietary algorithms provide enhanced First Hour Rating and tighter temperature differential.
 - **Advanced Temperature Control System**—Microprocessor controls burner operation for consistent and accurate water temperature levels up to 180°F (82°C).
 - **Intelligent Diagnostics**—Exclusive multicolor LED light indicates operation status/service required.
- **Internal Single Wall Heat Exchanger**—Single wall 1½" (38mm) O.D. glass coated (Vitrage[®]) carbon steel coil.
 - **1" (51mm) NPT Front Supply and Return Connections.**
 - **Low Heat Exchanger Head Loss**—Up to 10 GPM (38L) flow, with less than 5 ft. (1.5m) of head loss. Greatly reduces the required pump size for heat exchange.
- **Factory-Installed Hydrojet[®] Total Performance System**—Sediment reducing device that also increases first hour rating of hot water while minimizing temperature build-up in tank.
- **Vitrage[®] Lining**—An exclusively engineered enamel formula that provides superior tank protection from the highly corrosive effects of hot water. This formula (Vitrage[®]) is fused to the steel surface by firing at a temperature of over 1600°F (871°C).
- **Insulation System**—2" (51mm) Non-CFC foam insulation covers the sides and top of the tank, reducing heat loss. This results in less energy consumption, improved efficiencies, and jacket rigidity. Blanketed models additionally use a supplied flexible fiberglass insulation blanket.
- **Pedestal Base.**
- **Water Connections**—¾" (19mm) NPT factory installed true dielectric fittings.
- **Two Protective Anode Rods.**
- **T&P Relief Valve**—Installed.
- **Low Restrictive Brass Drain Valve**—Durable tamper proof design.
- **Thermostatic Mixing Valve (ASSE Approved)**—Included.



10-Year Limited Tank and Heat Exchanger Warranties / 6-Year Limited Warranty on Component Parts.

For more information on warranty, please visit www.bradfordwhite.com

For products installed in USA, Canada and Puerto Rico. Some states do not allow limitations on warranties. See complete copy of the warranty included with the heater.

Residential Atmospheric Vent Combi™ Gas Water Heater System

Combi™ Models

NATURAL GAS AND LIQUID PROPANE GAS

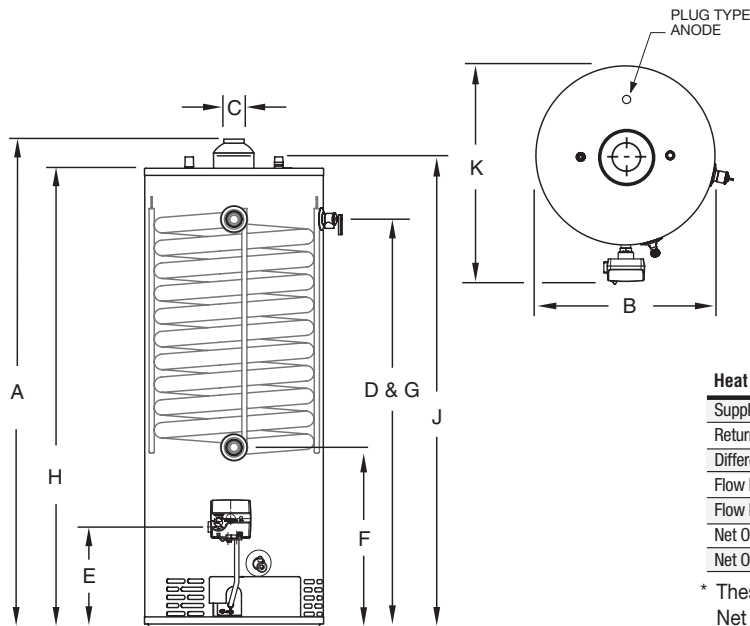
Meet or exceed ASHRAE 90.1b (current standard) C.E.C. Listed
80% Recovery Efficiency

Model Number	Capacity		LP BTU/Hr. Input	Recovery 90°F Rise*				A Floor to Flue Conn. in.	B Jacket Dia. in.	C Vent Size in.	D Floor to T&P Conn. in.	E Floor to Gas Conn. in.	F Floor to Exchanger Inlet in.	G Floor to Exchanger Outlet in.	H Floor to Top of Heater in.	J Floor to Water Conn. in.	K Depth in.	Approx. Shipping Weight lbs.	
	U.S. Gal.	Imp. Gal.		Nat. BTU/Hr. Input	Nat. U.S. GPH	Nat. Imp. GPH	LP U.S. GPH												LP Imp. GPH
C-SW2-504T10FBN	45	38	65,000	61,000	70	59	66	55	59 1/4	22	4	50	13	31 1/3	50	56 3/8	60 3/8	24 1/2	236
C-SW2-75T10BN	72	61	76,000	76,000	81	70	81	70	62 1/4	26	4	51 3/4	13 7/8	29 5/8	51 3/4	59	63	30 3/8	292

Model Number	Capacity		LP kW Input	Recovery 50°C Rise*				A Floor to Flue Conn. mm.	B Jacket Dia. mm.	C Vent Size mm.	D Floor to T&P Conn. mm.	E Floor to Gas Conn. mm.	F Floor to Exchanger Inlet mm.	G Floor to Exchanger Outlet mm.	H Floor to Top of Heater mm.	J Floor to Water Conn. mm.	K Depth mm.	Approx. Shipping Weight kg.
	Liters	Nat. kW Input		Nat. Liters/Hour	LP Liters/Hour	Nat. U.S. GPH	Nat. Imp. GPH											
C-SW2-504T10FBN	170	19.1	17.9	265	250	1505	559	102	1270	330	800	1270	1432	1534	622	107		
C-SW2-75T10BN	272	22.3	22.3	317	317	1581	660	102	1314	352	752	1314	1499	1600	772	128		

Propane model features a Titanium Stainless Steel propane burner. For propane (LP) models change suffix "BN" to "SX".

* Based on manufacturers rated recovery efficiency.



Heat Exchanger Head Loss	
GPM	Ft. of Hd. Loss
2	0.03
5	0.20
8	0.51
10	0.80
12	1.15

Heat Exchanger Values*

Supply Temperature	140°F	120°F	100°F
Return Temperature	120°F	100°F	80°F
Differential	20°F	20°F	20°F
Flow Rate (C-SW2-504T10FBN)	4.1 GPM	4.6 GPM	4.6 GPM
Flow Rate (C-SW2-75T10BN)	4.1 GPM	5.6 GPM	5.6 GPM
Net Output (C-SW2-504T10FBN)	35,500 BTU/Hr.	39,500 BTU/Hr.	39,500 BTU/Hr.
Net Output (C-SW2-75T10BN)	35,500 BTU/Hr.	47,500 BTU/Hr.	47,500 BTU/Hr.

* These values were obtained using 180°F stored tank temperature. Net Output is the space heating capacity based on normal piping and pickup allowance of 15%.

Actual values may vary based on circulator flow rate, number of zones, water and space heating demands. Numbers subject to change.

General

Meets NAECA Requirements.

All gas water heaters are certified at 300 PSI test pressure (2068 kPa) and 150 PSI working pressure (1034 kPa). All potable water connections are 3/4" NPT (19mm) on 11" (279mm) centers. All heat exchanger connections are 1" NPT (25mm). All gas connections 1/2" (13mm).

All models design certified by CSA International (formerly AGA/CGA), ANSI Z21.10.1 and peak performance rated.

Dimensions and specifications subject to change without notice in accordance with our policy of continuous product improvement.

Suitable for Water (Potable) Heating and Space Heating. Toxic chemicals, such as those used for boiler treatment, shall NEVER be introduced into the potable water side. The potable side of this unit may NEVER be connected to any existing heating system or component(s) previously used with a non-potable water heating appliance. The heat exchanger side of the unit may be used in space heating applications.

— BRADFORD WHITE IS —



For field service, contact your professional installer or local Bradford White sales representative.

Sales 800-523-2931 ■ Fax 215-641-1612

Technical Support 800-334-3393 ■ Email techserv@bradfordwhite.com

Warranty 800-531-2111 ■ Email warranty@bradfordwhite.com

International: Telephone 1-215-641-9400 ■ Email international@bradfordwhite.com / www.bradfordwhite.com

Built to be the Best™