

Disposal Flange Set
117

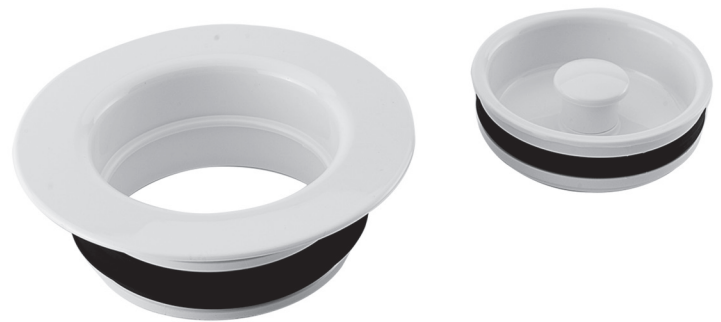
Features

- Heavy duty polypropylene
- Fits most garbage disposer models (see dimensions)
- Includes disposer flange and stopper assembly
- Complements various product series

Codes / Standards Compliance

Meets or exceeds the following at date of manufacture:

- All applicable US Federal and State material regulations



Colors / Finishes

- 10B: Oil Rubbed Bronze
- 50: White
- 54: Black
- 65: Biscuit

Specified Model

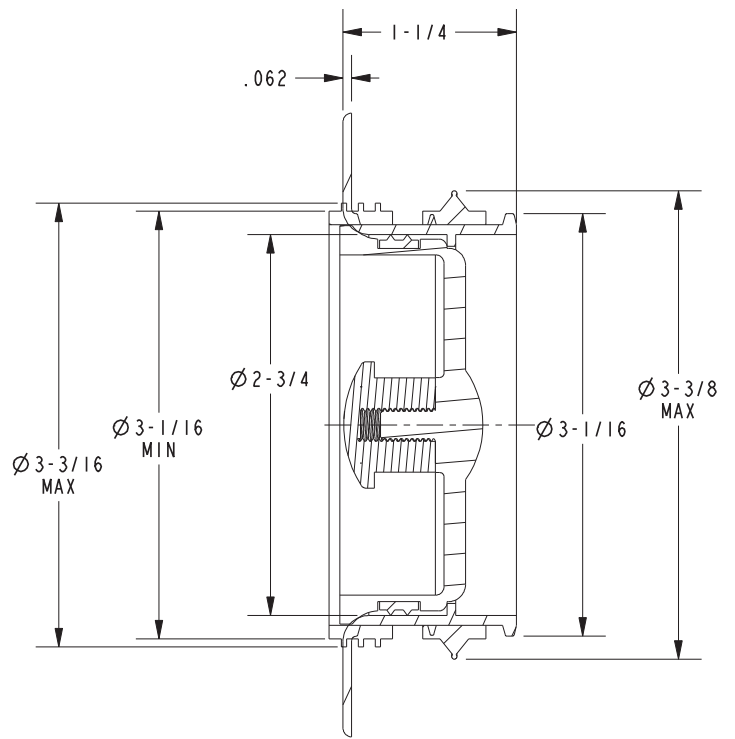
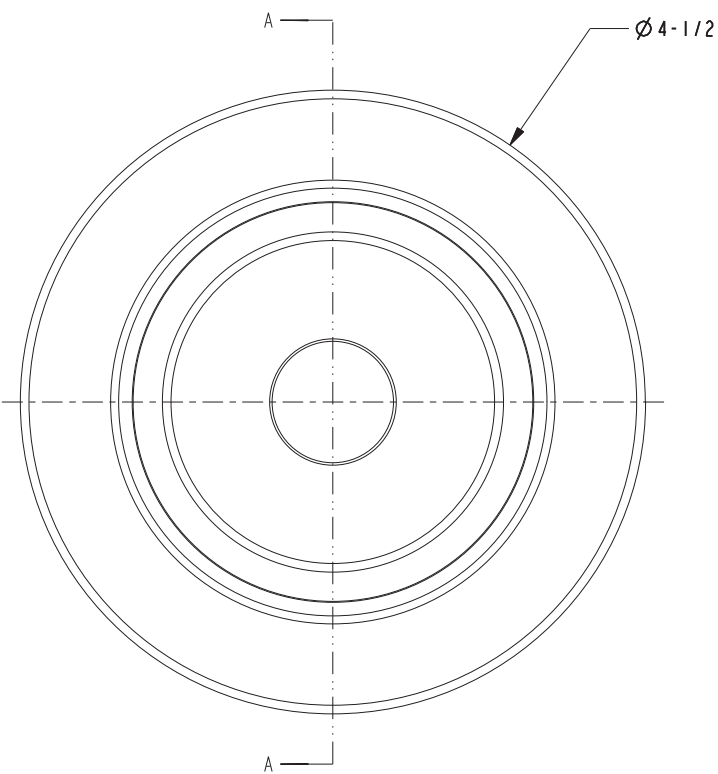
Model	Description	Colors Finishes
117	Disposal Flange Set	<input type="checkbox"/> 10B <input type="checkbox"/> 50 <input type="checkbox"/> 54 <input type="checkbox"/> 65

Product Specification Add "Color / Finish" suffix to Model number, below.

The Disposal Flange Set shall be made of heavy duty polypropylene construction. Product is designed to fit most garbage disposer models (see dimensions). Product shall feature a simple no tools required design, just push to install over existing disposer flange. The Disposal Flange Set shall be Newport Brass Model 117/_____.

117

PRODUCT DIMENSIONS *(Units are in inches)*



SECTION A-A