

4

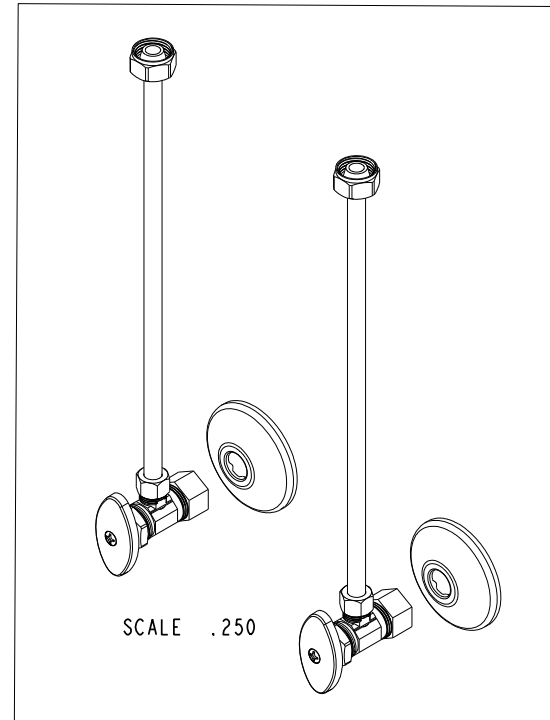
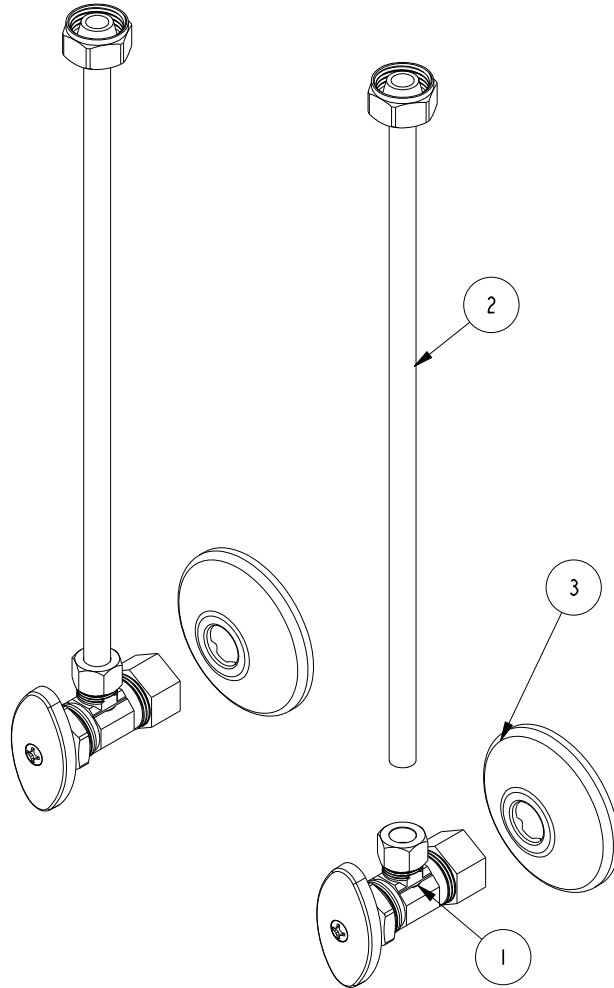
3

2

1

BILL OF MATERIAL (CURRENT LEVEL)

ITEM	PT/ASSY	DESCRIPTION	TYPE	QTY.
1	403	1/2" COMP. X 3/8" SUPPLY VALVE	ASSEMBLY	2
2	431	SUPPLY TUBE 3/8"	ASSEMBLY	2
3	441	GRIP FLANGE	ASSEMBLY	2



COPYRIGHT 2005 BRASSTECH, INC. THESE DRAWINGS AND THE DESIGNS DEPICTED HEREIN ARE THE PROPRIETARY PROPERTY OF BRASSTECH. ANY USE OR REPRODUCTION IS SUBJECT TO THE EXPRESS APPROVAL OF BRASSTECH. UNAUTHORIZED USE IS STRICTLY PROHIBITED. ALL RIGHTS RESERVED.

BRASSTECH
 INCORPORATED

2001 E. CARNEGIE AVE.
 SANTA ANA, CA 92705
 (949) 417-5207

1/2" COMP. X 3/8" SUPPLY KIT

ASSY. NO. 498

SCALE .375

REF. -

SHEET 1 OF 2

REV

EN-2540

06/03/13

REV DESC

DATE

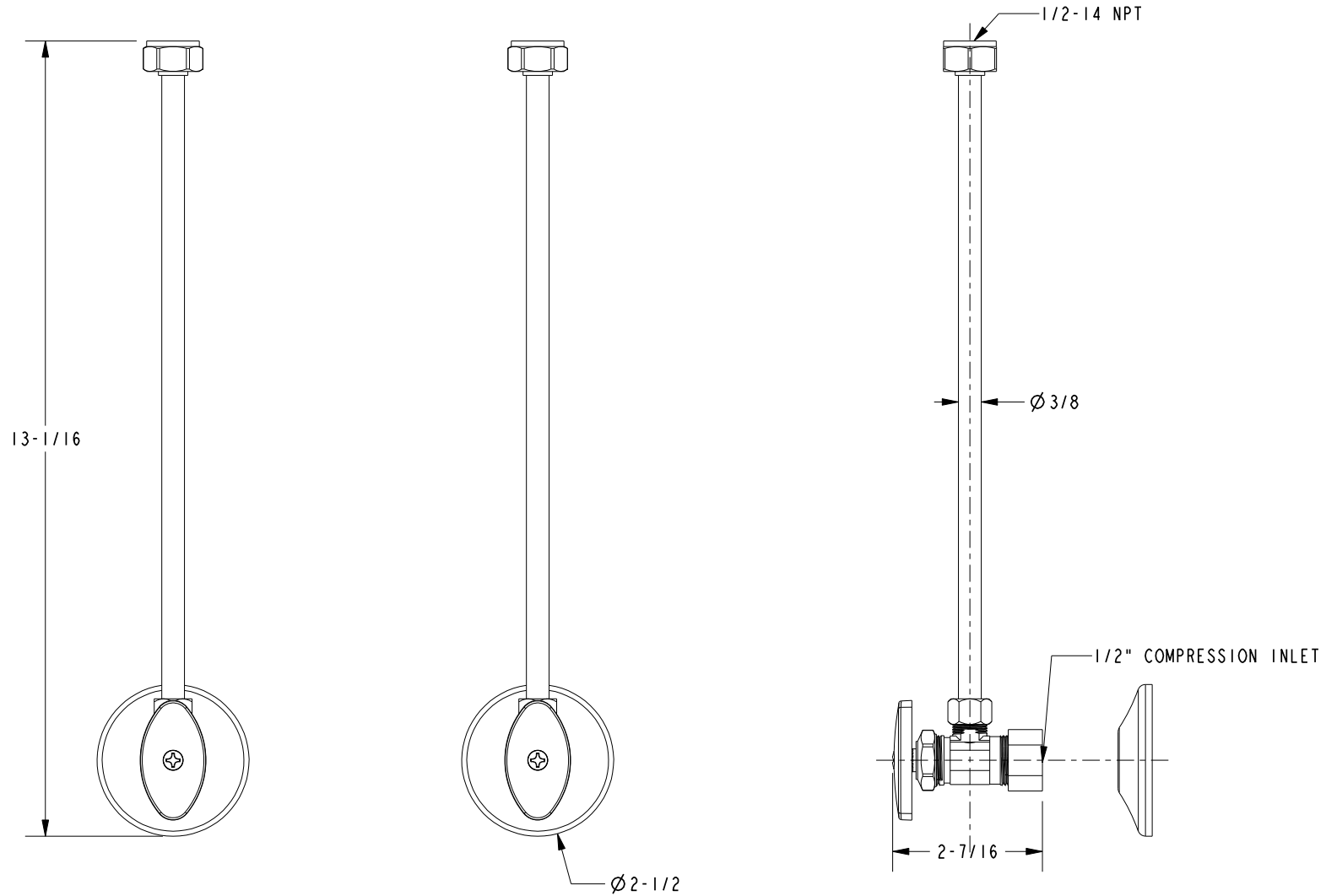
4

3

2

1

SPECIFICATION DWG



DIMENSIONS ARE IN INCHES AND AN APPROXIMATION OF A TYPICAL INSTALLATION

COPYRIGHT 2005 BRASSTECH, INC. THESE DRAWINGS AND THE DESIGNS DEPICTED HEREIN ARE THE PROPRIETARY PROPERTY OF BRASSTECH. ANY USE OR REPRODUCTION IS SUBJECT TO THE EXPRESS APPROVAL OF BRASSTECH. UNAUTHORIZED USE IS STRICTLY PROHIBITED. ALL RIGHTS RESERVED.

BRASSTECH		2001 CARNEGIE AVE. SANTA ANA, CA 92705 (949) 417-5207	
INCORPORATED			
DWG NO.	498	REV	-
SCALE	.375	REF.	-
		SHEET	2 OF 2