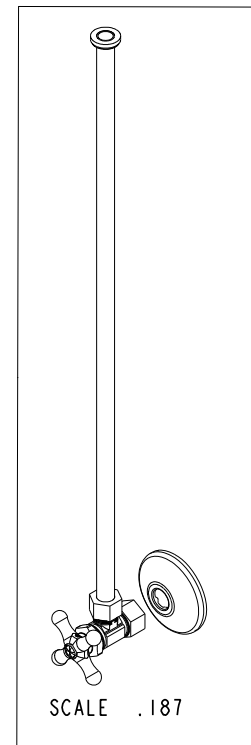
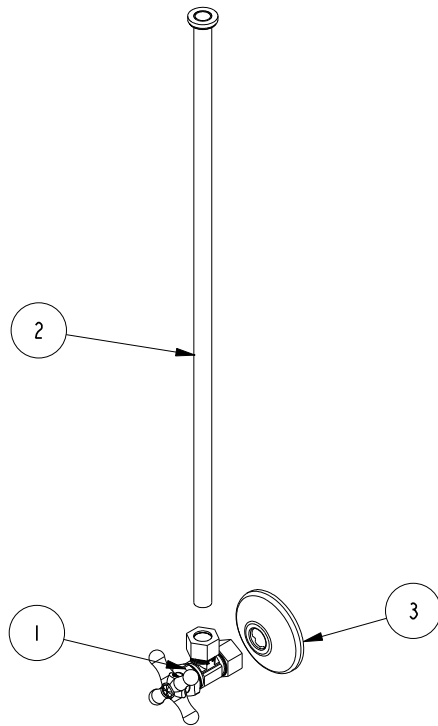


| BILL OF MATERIAL (CURRENT LEVEL) |         |  |          |      |
|----------------------------------|---------|--|----------|------|
| ITEM                             | PT/ASSY | DESCRIPTION                            | TYPE     | QTY. |
| 1                                | 402X    | ANGLE VALVE 1/2"CU X 1/2" CMP W/ X HDL | ASSEMBLY | 1    |
| 2                                | 434     | SUPPLY TUBE 1/2" X 20"                 | ASSEMBLY | 1    |
| 3                                | 441     | GRIP FLANGE (441)                      | PART     | 1    |



COPYRIGHT 2005 BRASSTECH, INC. THESE DRAWINGS AND THE DESIGNS DEPICTED HEREIN ARE THE PROPRIETARY PROPERTY OF BRASSTECH. ANY USE OR REPRODUCTION IS SUBJECT TO THE EXPRESS APPROVAL OF BRASSTECH. UNAUTHORIZED USE IS STRICTLY PROHIBITED. ALL RIGHTS RESERVED.

**BRASSTECH**  
INCORPORATED

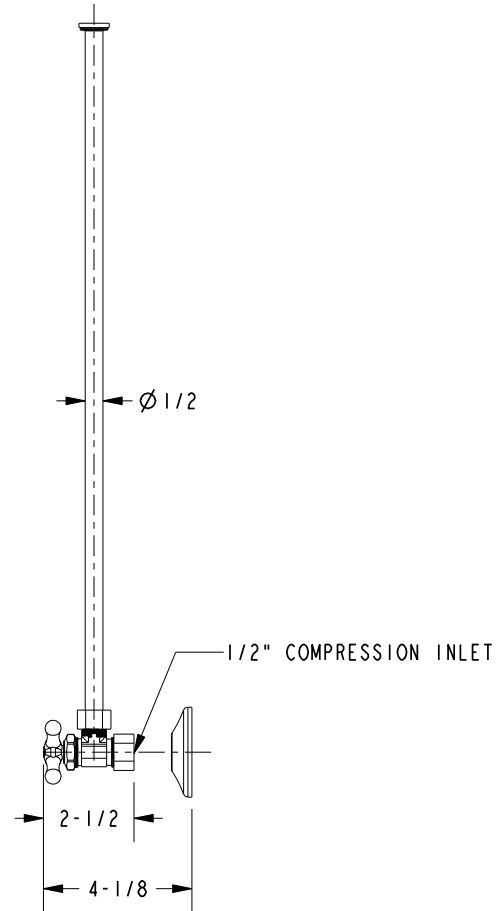
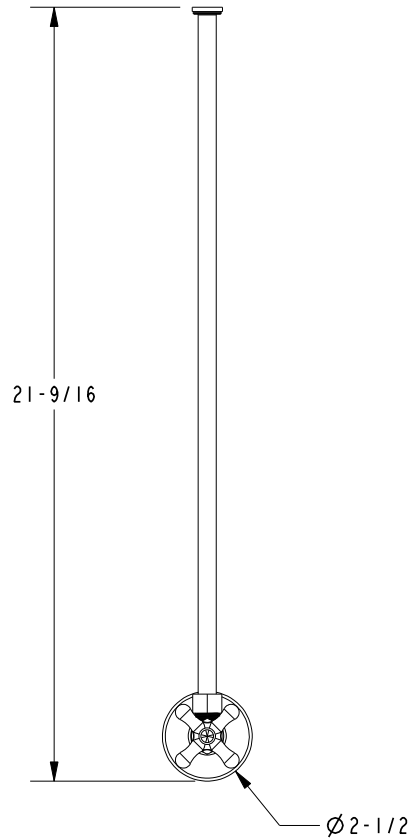
2001 CARNEGIE AVE.  
SANTA ANA, CA 92705  
(949) 417-5207

SUPPLY KIT W/ X HDL 1/2" CMP X 1/2" CMP

|            |      |              |     |          |         |               |
|------------|------|--------------|-----|----------|---------|---------------|
| ASSY. NO.  | 483X |              |     | -        | -       | -             |
| SCALE .187 | REF. | SHEET 1 OF 2 | REV | REV DESC | EN-2540 | DATE 06/03/13 |

↓

**SPECIFICATION DWG**



DIMENSIONS ARE IN INCHES AND AN APPROXIMATION OF A TYPICAL INSTALLATION

COPYRIGHT 2005 BRASSTECH, INC. THESE DRAWINGS AND THE DESIGNS DEPICTED HEREIN ARE THE PROPRIETARY PROPERTY OF BRASSTECH. ANY USE OR REPRODUCTION IS SUBJECT TO THE EXPRESS APPROVAL OF BRASSTECH. UNAUTHORIZED USE IS STRICTLY PROHIBITED. ALL RIGHTS RESERVED.

|                  |      |   |
|------------------|------|---|
| <b>BRASSTECH</b> |      | 2001 CARNEGIE AVE.<br>SANTA ANA, CA 92705<br>(949) 417-5207 |
| INCORPORATED     |      |   |
| DWG NO.          | 483X | REV<br>-  |
| SCALE            | REF. | SHEET 2 OF 2  |
| .187             | -    | 2 OF 2  |