

4

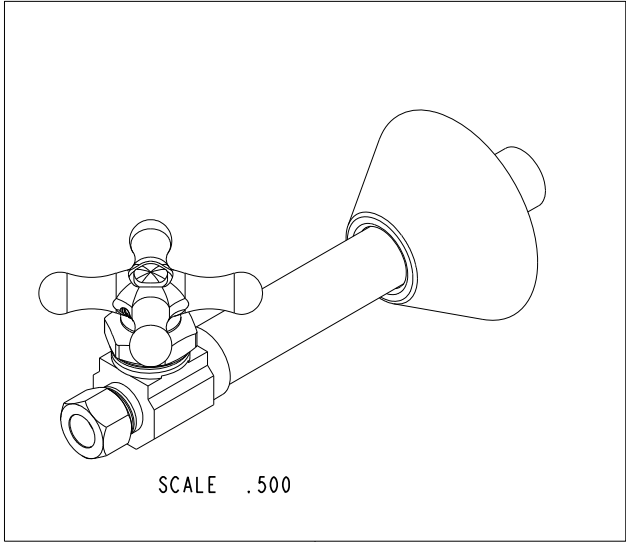
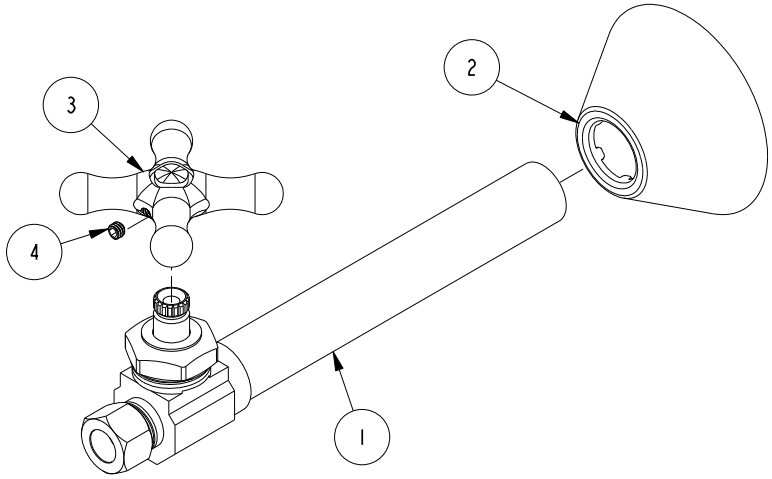
3

2

1

BILL OF MATERIAL (CURRENT LEVEL)

ITEM	PT/ASSY	DESCRIPTION	TYPE	QTY.
1	6-417	S.V. 1/2" SWTX 3/8" CMP	ASSEMBLY	1
2	50854	BELL FLANGE (444)	PART	1
3	50356	CROSS HANDLE	PART	1
4	92000	SCRW, 8-32 X 1/8 SKT HD CUP PT SS	PART	1



COPYRIGHT 2005 BRASSTECH, INC. THESE DRAWINGS AND THE DESIGNS DEPICTED HEREIN ARE THE PROPRIETARY PROPERTY OF BRASSTECH. ANY USE OR REPRODUCTION IS SUBJECT TO THE EXPRESS APPROVAL OF BRASSTECH. UNAUTHORIZED USE IS STRICTLY PROHIBITED. ALL RIGHTS RESERVED.

BRASSTECH
 INCORPORATED
 2001 CARNEGIE AVE.
 SANTA ANA, CA 92705
 (949) 417-5207

STRAIGHT VALVE W/ X HDL 1/2" SWT 3/8"

ASSY. NO.	417X	-	-	-
SCALE	.500	REF.	-	
SHEET	1	OF	3	
REV		REV DESC		DATE
			EN-2540	06/03/13

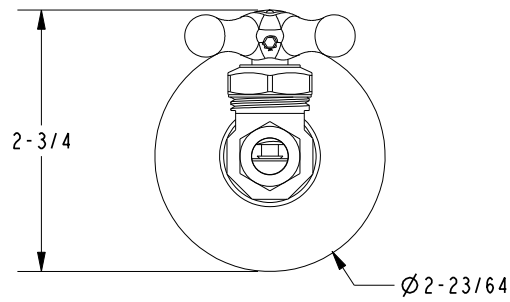
4

3

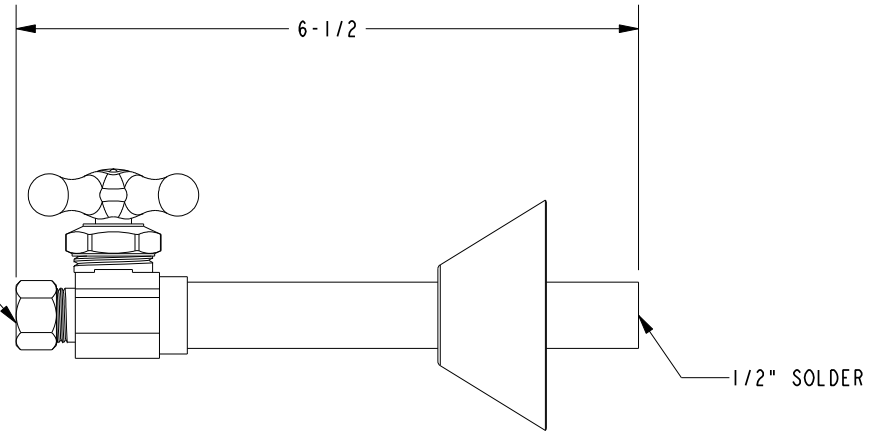
2

1

SPECIFICATION DWG



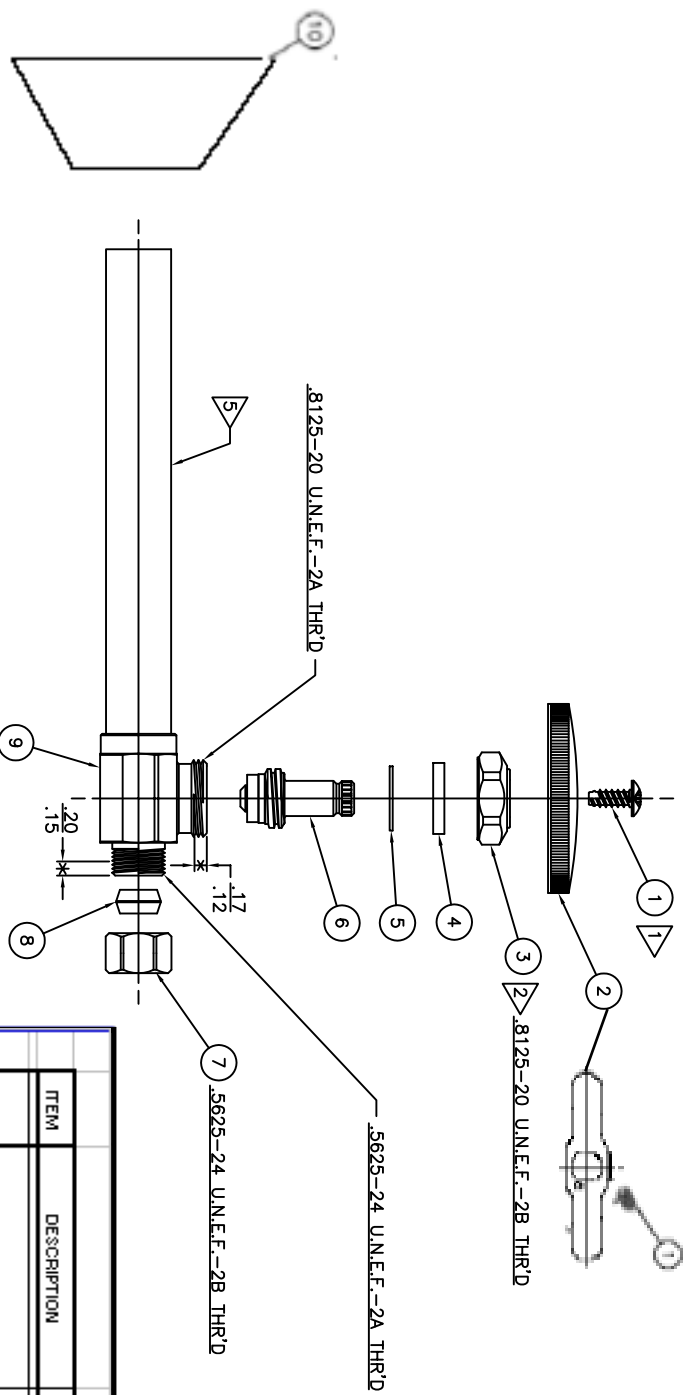
3/8" COMPRESSION OUTLET



DIMENSIONS ARE IN INCHES AND AN APPROXIMATION OF A TYPICAL INSTALLATION

COPYRIGHT 2005 BRASSTECH, INC. THESE DRAWINGS AND THE DESIGNS DEPICTED HEREIN ARE THE PROPRIETARY PROPERTY OF BRASSTECH. ANY USE OR REPRODUCTION IS SUBJECT TO THE EXPRESS APPROVAL OF BRASSTECH. UNAUTHORIZED USE IS STRICTLY PROHIBITED. ALL RIGHTS RESERVED.

BRASSTECH		2001 CARNEGIE AVE. SANTA ANA, CA 92705 (949) 417-5207	
DWG NO.	417X	REV	F
SCALE	.250	REF.	-
SHEET 2 OF		3	



CS41 (BR)

COMPONENT TO USE		ASSEMBLY TO BUILD		
ITEM	DESCRIPTION	PN	SUB-ASM	ASM
1	SCREW #10 X 3/8	32073	6-417	417X
	SCREW 8-32X1/8 SET HD	32000		1
2	OVAL HANDLE	50355		1
	CROSS HANDLE	50356		1
3	BONNET NUT	50675	1	1
4	NYTRL BONNET PK	50350	1	1
5	WASHER PLASTIC	50685	1	1
6	STEM/WASHER ASM BRN	50674	1	1
7	3/8 OD OUTLET COMP NUT	50677	1	1
8	3/8" OD OUTLET COMP SLV	50359	1	1
9	STRAIGHT VALVE BODY	50686	1	1
10	BELL FLANGE	444	1	1

- NOTES:
- 1 BREAKAWAY
 - 2 BREAKAWAY TORQUE 25 ±10 IN-LB.
 - 3 AREAS MARKED WITH * ARE TO BE FREE OF POWDER COAT.

- 5 KEEP TUBE FREE OF NICKS AND DINGS.

MATERIAL	BRASS	UNLESS OTHERWISE SPECIFIED DIMENSIONS ARE IN INCHES TOLERANCES ARE:
NEXT ASSY	USED DN	FRACTIONS DECIMALS ANGLES
APPLICATION		±1/64" ±.01 ±.0010 ±1/2"
		DID NOT SCALE DRAWING
		DRAWN P.MOQUADE
		CHECKED J.WOLTASZEK
		APPROVED J.WOLTASZEK
FINISH	ALL	7/27/06

BRASSTECH
INCORPORATED

8001 E. DORRIDGE AVE.
SANTA ANA, CA 92705
(949) 437-5807

STRAIGHT VALVE

DWG NO	417_417X	SCALE	NONE	REF.	SHEET	OF	REV
--------	----------	-------	------	------	-------	----	-----