

4

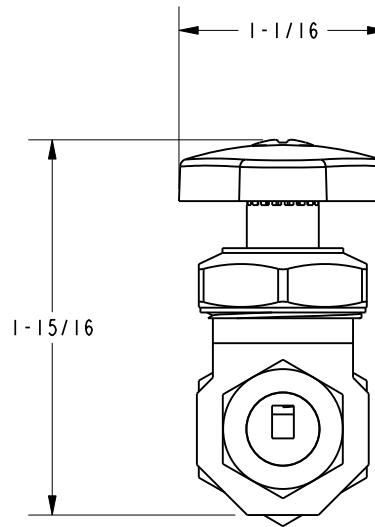
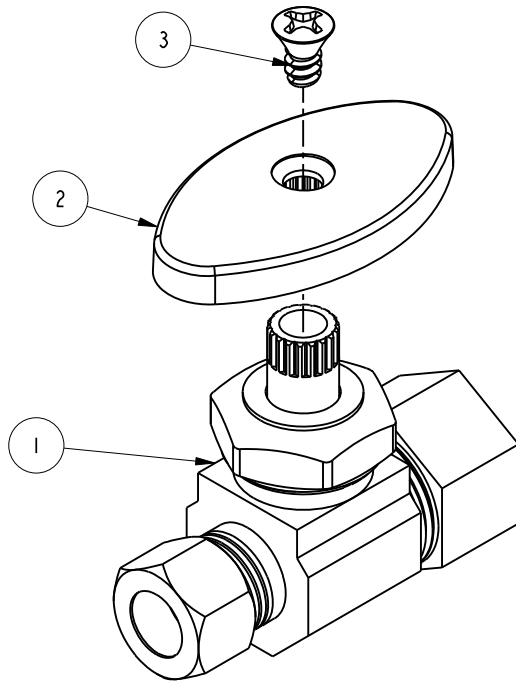
3

2

1

BILL OF MATERIAL (CURRENT LEVEL)

ITEM	PT/ASSY	DESCRIPTION	TYPE	QTY.
1	6-412	S.V. 1/2" CU X 3/8" CMP	ASSEMBLY	1
2	50355	HANDLE	PART	1
3	92073	SCRW, #10 X 3/8" PHIL OVAL HD BRASS	PART	1



COPYRIGHT 2005 BRASSTECH, INC. THESE DRAWINGS AND THE DESIGNS DEPICTED HEREIN ARE THE PROPRIETARY PROPERTY OF BRASSTECH. ANY USE OR REPRODUCTION IS SUBJECT TO THE EXPRESS APPROVAL OF BRASSTECH. UNAUTHORIZED USE IS STRICTLY PROHIBITED. ALL RIGHTS RESERVED.

BRASSTECH
INCORPORATED

2001 CARNEGIE AVE.
SANTA ANA, CA 92705
(949) 417-5207

STRAIGHT VALVE 1/2" CU X 3/8" CMP

ASSY. NO.	412	-	-	-
SCALE	1.000	REF.	-	-
SHEET	1	OF	1	REV
REV	EN-2537	REV DESC	05/17/13	DATE

4

3

2

1