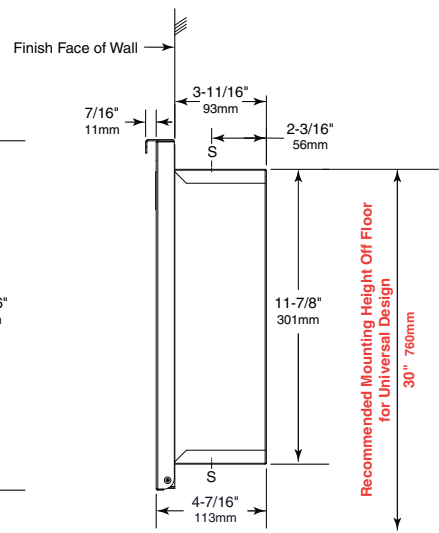
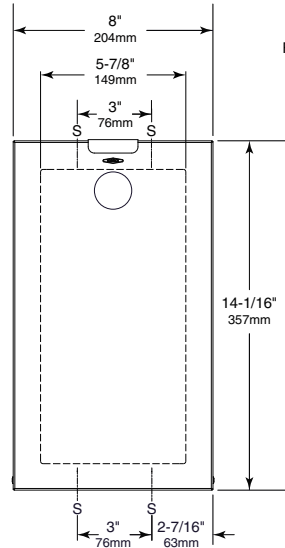




Technical Data

TrimLineSeries™ RECESSED SANITARY NAPKIN DISPOSAL

B-3513



Rough Wall Opening
 6-3/8" (162mm) wide
 12-3/8" (314mm) high
 3-3/4" (95mm) min depth

MATERIALS:

Cabinet — 18-8, Type-304, heavy-gauge stainless steel. All-welded construction. Exposed surfaces have satin-finish.

Door — 18-8, Type-304, 20-gauge (0.9mm) stainless steel with satin-finish. Secured to cabinet with two rivets and equipped with a magnet catch.

Waste Receptacle — 18-8, Type-304, heavy-gauge stainless steel. All-welded construction. Removable for servicing. Capacity: 0.6-gal. (2.3-L).

OPERATION:

To service waste receptacle, unlatch door and remove waste container. Cable door-swing limiter prevents damage to washroom accessories and walls.

INSTALLATION:

Provide framed rough wall opening 6-3/8" wide x 12-3/8" high (162 x 314mm). Minimum recessed depth required from finish face of wall is 3-3/4" (95mm). Allow clearance for construction features that may protrude into rough wall opening from opposite wall. Coordinate with mechanical engineer to avoid pipes, vents, and conduits in wall. Mount cabinet with shims between framing and cabinet at all points indicated by an S, then secure unit with (4) #10 x 1-1/4" (4.8 x 32mm) sheet-metal screws (not furnished).

Replacement Parts:

Skirt Replacement Kit	35139-53
Waste Receptacle Replacement	35139-78
International Label	3533-44

SPECIFICATION:

Recessed sanitary napkin disposal shall be Type-304 stainless steel with all-welded construction; exposed surfaces shall have satin finish. Door shall be Type-304, 20-gauge (0.9mm) stainless steel with satin-finish. Secured to cabinet with two rivets and equipped with a magnet catch and cable door-swing limiter. Waste receptacle shall be Type-304, heavy-gauge stainless steel. All-welded construction with a capacity of 0.6-gal. (2.3-L).

Recessed Sanitary Napkin Disposal shall be Model B-3513 of Bobrick Washroom Equipment, Inc., Clifton Park, New York; Jackson, Tennessee; Los Angeles, California; Bobrick Washroom Equipment Company, Scarborough, Ontario; Bobrick Washroom Equipment Pty. Ltd., Australia; and Bobrick Washroom Equipment Limited, United Kingdom.