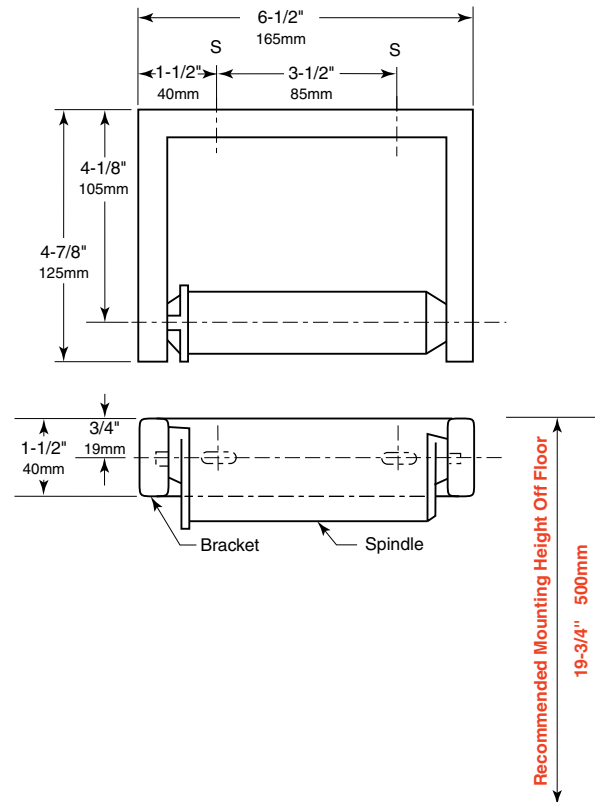




SINGLE-ROLL TOILET TISSUE DISPENSER WITH CONTROLLED DELIVERY

B-273



MATERIALS:

Bracket — Heavy-duty cast aluminum with satin finish. Small extrusion limits rotation of spindle to 3/4 revolution.

Spindle — Molded high-impact ABS. Equipped with retractable pin and concealed locking mechanism.

OPERATION:

Controlled delivery of toilet tissue roll; 3/4 revolution of spindle on each dispensing operation. Counterbalanced spindle automatically returns to original position. Eliminates waste. Accommodates one standard-core toilet tissue roll up to 6" (152mm) diameter (2000 sheets). Spindle can only be removed with special key furnished. Theft-resistant.

INSTALLATION:

For partitions with particle-board or other solid core, provide sheet-metal screws or through-bolts, nuts, and washers.

For hollow-core metal partitions, provide solid backing into which sheet-metal screws can be secured. If two units are installed back-to-back, then provide threaded sleeves and machine screws for the full thickness of partition.

For plaster or dry wall construction, provide concealed backing to comply with local building codes, then secure unit with sheet-metal screws.

For other wall surfaces, provide sheet-metal screws and fiber plugs or expansion shields, or provide 1/8" (3mm) toggle bolts or expansion bolts.

SPECIFICATION:

Single-roll toilet tissue dispenser shall have a heavy-duty cast-aluminum bracket with satin finish. Theft-resistant spindle shall be molded high-impact ABS with a retractable pin and concealed locking mechanism. Unit shall accommodate one standard-core toilet tissue roll up to 6" (152mm) diameter (2000 sheets) and provide controlled delivery operation.

Single-Roll Toilet Tissue Dispenser shall be Model B-273 of Bobrick Washroom Equipment, Inc., Clifton Park, New York; Jackson Tennessee; Los Angeles, California; Bobrick Washroom Equipment Company, Scarborough, Ontario; Bobrick Washroom Equipment Pty. Ltd., Australia; and Bobrick Washroom Equipment Limited, United Kingdom.