

THALASSA 55

66" x 33" x 19"

Thalassa means "the sea," where all states of being co-mingle.



PRODUCT NO.

MODEL	TMU	TUB
	BTHJRB00T-XX	BTHJRB00N-XX

THERMOMASSEUR (TMU) Hydro-thermo massage • Air jet system	\$
Jets	40
1 heated backrest	Included
Mia® Control	Included
Geysair®	Included
AromaCloud** BAROMAC	\$
Illuzio Chromatherapy BCHRO6	\$

TUB Soaker	\$
AromaCloud** BAROMAC	\$
Illuzio Chromatherapy BCHRO6	\$
WarmTouchShell® BWTS	\$
DOT control	Included with therapy

FEATURES

Installation type	Drop-in & Alcove (3 walls)		
No. of bathers	2	Armrests	2
US gallons	50	Grab bars (color match)	2
Imp. gallons	41		

STANDARD COLOR

 White 01	 Biscuit 02	Included
----------------------------------------------------------------------------------------------	------------------------------------------------------------------------------------------------	----------

OPTIONS (UPCHARGE APPLICABLE)

COLOR

 Gray 05	\$
-------------------------------------------------------------------------------------------	----

WASTE & OVERFLOW 16" x 35" BOVER16-XX

Chrome 07	\$
White 01, Biscuit 02	\$
Brushed Nickel 09, Polished Nickel 10, Oil-rubbed Bronze 11	\$

CONTROL (TMU only)

MiaPlus*** BMIAP1-XX or BMIAP1-XX	\$
MiaMulti® BMIAM1-XX	\$

SKIRT	MULTIFIT BSMUL-XX	SJ-1 BSJ1-XX
White 01, Biscuit 02	\$	\$
Gray 05	\$	\$

CLEAR ACRYLIC GRAB BARS BGBG10-XX

With Chrome 07 or Brushed Nickel 09 inserts	\$
---------------------------------------------	----

TILE FLANGE (specify right or left)

Ordered with bath (not installed) BTILEN	\$
Factory-installed. Right BTILER, Left BTILEL, Special installation BTILEO	\$



* The AromaCloud® is built into the deck.

** The MiaPlus® Control is Included when purchasing Chromatherapy on a TMU.

TOTAL PRICE \$



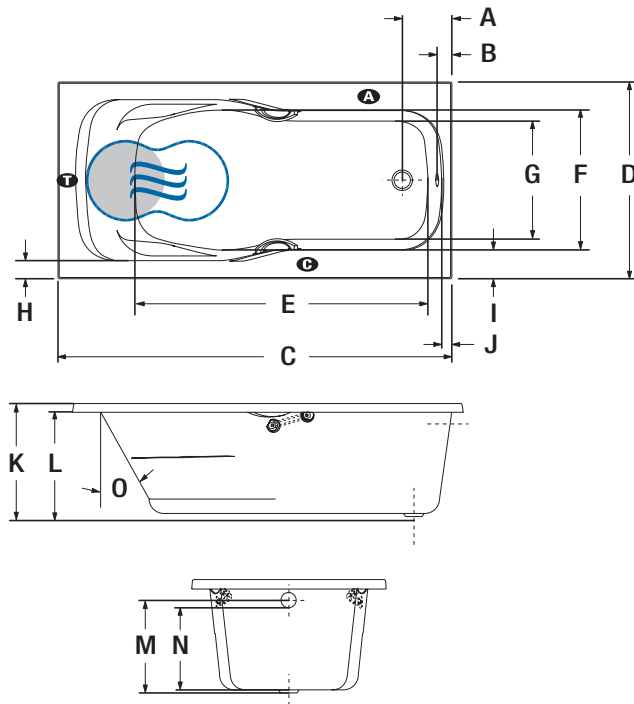
THALASSA 55



Acrylic grab bar

INSTALLATION

- A** When tile flange is added, the AromaCloud® will automatically be installed on the opposite side of the flange.



LETTER	DESCRIPTION	MEASURE
A	Outside edge to center drain	8"
B	Outside edge to overflow	2 1/4"
C	Total length	65 3/4"
D	Total width	32 7/8"
E	Bathing well length	49"
F	Bathing well width at seat area	23 1/8"
G	Bathing well width at foot area	19 7/8"
H	Deck width (narrowest point)	3 1/4"
I	Deck width (widest point)	5"
J	Deck width at drain end	2 1/8"
K	Height from bottom of TUB to top deck	19 1/2"
L	Height from bottom of TUB to bottom of lip	18"
M	Height from drain to center of overflow	15 5/8"
N	Maximum water level	13 3/4"
O	Slope of backrest	29°

- A** AromaCloud® position
- G** Control position when factory-installed (Mia® or DOT)
- T** Turbine position (TMU)
- Indicates heated backrest (TMU)
- ☄ Indicates WarmTouchShell® position (TUB)

TECHNICAL SPECIFICATIONS

Hot water supply required	Should be 70% of water capacity of TUB or greater.
Turbine	Access to the pump must be at least 18" x 22". Standard connection is 20 A, 120 V, 60 Hz , dedicated line with a Ground-Fault Circuit Interrupter (GFCI). For any additional option, a second line is needed 15 A, 120 V, 60 Hz , dedicated line with a GFCI. Air vent necessary: 2" x 4" minimum.
Other	Optional tile flange (specify right or left).

Our products must be installed by certified professionals only and according to our Owner's Manual as well as federal, provincial/state and local building codes and regulations (www.bainultra.com/documentation/documentation).

Approx. shipping weight	126 lbs
Turbine power	550 W
Air heater	600 W

WARRANTY

Controls-LED-Geysair*	5 years
Bath & turbine*	20 years

* Some restrictions apply | www.bainultra.com/warranty



The specifications shown indicate the outer edge dimension and the inside bathing capacity dimension measured at air jets' height. The manufacturer accepts a 1/4" [0.64 cm] variance. There are variations on each product and specifications are subject to change as we improve upon our product as required. The dimensions needed for site preparation and structure building will differ. BainUltra® assumes no responsibility for preparatory work done prior to the product being on site.