

# NOKORI 6935

69" x 35" x 24" (FREESTANDING)

Nokori's sleek and delicate lines inspire peace and calm-offering an authentic invitation to unwind.



## PRODUCT NO.

MODEL	TMU	TUB
Freestanding	BNOVRF00T-XX	BNOVRF00N-XX

THERMOMASSEUR (TMU) Hydro-thermo massage • Air jet system	\$10,620
Jets	44
1 heated backrest	Included
MiaPlus® Control* (not installed)	Included
BU-Touch Control Application <a href="#">BUTOUCH</a>	\$430
Geysair®	Included
AromaCloud®	N/A
AromaFlow**** <a href="#">BAROMAF</a> <b>NEW</b>	\$950
Illuzio Chromatherapy <a href="#">BCHRO6</a>	\$925
2 <sup>nd</sup> heated backrest (WTS-1 zone) <a href="#">BSHB</a>	\$1,125

TUB Soaker	\$8,255
AromaCloud®	N/A
AromaFlow**** <a href="#">BAROMAF</a> <b>NEW</b>	\$950
Illuzio Chromatherapy <a href="#">BCHRO6</a>	\$925
WarmTouchShell® <a href="#">BWTS</a>	\$1,125
DOT control (not installed)	Included with therapy
2 <sup>nd</sup> WarmTouchShell® <a href="#">BWTS2</a>	\$370

## FEATURES

Installation type	Freestanding		
No. of bathers		Imp. gallons	65
US gallons	78	Brass waste kit	Included

## INTEGRATED WASTE & OVERFLOW [BOVERINI-XX](#)

White <a href="#">01</a> , Chrome <a href="#">07</a> , Brushed Nickel <a href="#">09</a> , Polished Nickel <a href="#">10</a> , Matte White with UltraVelour finish <a href="#">32</a>	Installed & Included
--	----------------------

## STANDARD COLOR

	White <a href="#">01</a>	Included
--	--------------------------	----------

## OPTIONS (UPCHARGE APPLICABLE)

FINISH	
UltraVelour Matte Finish (white only) <a href="#">BVEL2</a>	\$850
UNIVERSAL ARMRESTS <a href="#">BGBGU-XX</a>	
White <a href="#">01</a>	\$750
TILE FLANGE (specify position)	
Ordered with bath (not installed) <a href="#">BTILEN</a>	\$79
Factory-installed. Right <a href="#">BTILER</a> , Left <a href="#">BTILEL</a> , Front <a href="#">BTILEF</a> , Back <a href="#">BTILEB</a> , Special installation <a href="#">BTILEO</a>	\$155
INTEGRATED WASTE & OVERFLOW <a href="#">BOVERINI-XX</a>	
Matte Black <a href="#">19</a> , Satin Brass <a href="#">18</a>	\$120
AIR INTAKE** & ISLAND TUB DRAIN™****	
Air intake & Island Tub Drain™ <a href="#">BAIRISLD</a>	\$350
Island Tub Drain™ <a href="#">BISLDD</a>	\$260
Cast Iron Island Tub Drain™ <a href="#">BISLDDCI</a>	\$310
Air intake <a href="#">BAIRINT</a>	\$120
Air intake installation	\$285 net
IF REQUIRED BY CONSTRUCTION CODE	
Brass waste & overflow kit <a href="#">BDRCOB</a>	\$240

- 💡 Don't forget that this model is available in **White only**. If turbine is installed under the bath, please follow the installation instructions specified in the **Nokori Installation Manual**.
- \* Control must be wall-mounted. Faucets must be freestanding or wall-mounted.
- \*\* Air Intake is required if turbine is installed under the bath.
- \*\*\* An Island Tub Drain™ is required when there is no access under the bath.
- \*\*\*\* When ordering an AromaFlow, an Integrated waste & overflow is mandatory (Included). Specify the finish of the waste.

## FOR THE INSTALLER

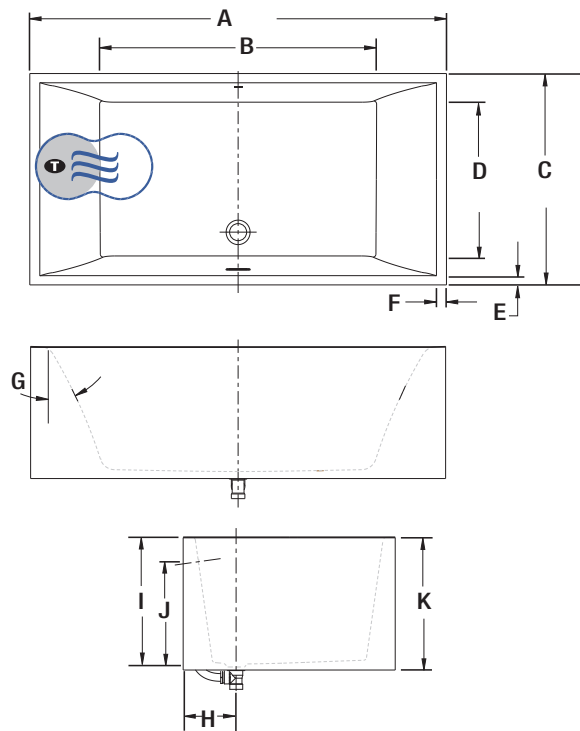
SCAN TO VIEW INSTALLATION VIDEO (3:20 MIN)





**NOKORI 6935 (FREESTANDING)**

**INSTALLATION**



LETTER	DESCRIPTION	MEASURE
A	Total length	69"
B	Bathing well length	45"
C	Total width	35"
D	Bathing well width	26 1/4"
E	Deck width	2"
F	Deck width at backrest ends	1 5/8"
G	Slope of backrests	24°
H	Outside edge to center of drain	8 3/4"
I	Height from bottom of drain to top of deck	21"
J	Maximum water level Maximum water level with AromaFlow	16 3/4" 16 1/4"
K	Total height	24"

- Turbine position (TMU)
- Indicates heated backrest (TMU)
- Indicates WarmTouchShell® position (TUB)

**TECHNICAL SPECIFICATIONS**

<b>Hot water supply required</b>	The hot water supply should be 70% or more of the bath's total water capacity.
<b>Turbine</b>	Access to the pump must be at least 18" x 22". <b>Standard connection is 20 A, 120 V, 60 Hz, dedicated line with a Ground-Fault Circuit Interrupter (GFCI). For any additional option, a second line is needed 15 A, 120 V, 60 Hz, dedicated line with a GFCI. Air vent necessary: 8 sq. in. minimum.</b>
<b>Others</b>	<ul style="list-style-type: none"> <li>- The Geysair® is located on the same side as the heated backrest. It must <b>NOT be relocated</b>. It must be <b>connected to the hot water supply</b> and be accessible (provide access).</li> <li>- Faucet must be freestanding or wall-mounted.</li> <li>- Controls cannot be installed on the bath.</li> <li>- The turbine should be <b>remotely installed</b>.</li> <li>- The turbine can also be installed under the bath. <b>Please refer to the Nokori Installation Instructions.</b></li> <li>- The water level will be lower when an AromaFlow is installed.</li> </ul>

Our products must be installed by certified professionals only and according to our Owner's Manual as well as federal, provincial/state and local building codes and regulations ([www.bainultra.com/dealers/dealer-documentation-and-catalog](http://www.bainultra.com/dealers/dealer-documentation-and-catalog)).

The specifications shown indicate the outer edge dimension and the inside bathing capacity dimension measured at air jets' height. The manufacturer accepts a 1/4" [0.64 cm] variance. There are variations on each product and specifications are subject to change as we improve upon our product as required. The dimensions needed for site preparation and structure building will differ. BainUltra® assumes no responsibility for preparatory work done prior to the product being on site.

<b>Approx. shipping weight</b>	300 lb
<b>Turbine power</b>	550 W
<b>Air heater</b>	600 W
<b>WARRANTY</b>	
Controls-LED-Geysair*	5 years
Bath & turbine*	20 years

\* Some restrictions apply | [www.bainultra.com/warranty](http://www.bainultra.com/warranty)