



Monarch™ 

INSTALLATION INSTRUCTIONS

IMPORTANT INFORMATION FOR THE INSTALLER AND THE OWNER

 **BainUltra**®
The quest for your wellness®

TO BE KEPT BY THE OWNER

TABLE OF CONTENTS

IMPORTANT SAFETY INSTRUCTIONS 1

PARTS & TOOLS 3

SITE PREPARATION 6

PLUMBING PREPARATION 13

INSTALLATION

- **BOX** 15
- **DROP-IN** 20
- **ALCOVE (BETWEEN 2 OR 3 WALLS)** 23

BATH INSTALLATION - PLUMBING & ELECTRICAL CONNECTIONS 26

ELECTRICAL WIRING DIAGRAMS 32

CUTTING TEMPLATES: ELECTRONIC CONTROLS & AIR VENT 34

IMPORTANT SAFETY INSTRUCTIONS PERTAINING TO RISKS OF FIRE, ELECTROCUTION OR PERSONAL INJURY

READ AND FOLLOW ALL INSTRUCTIONS ▪ SAVE THESE INSTRUCTIONS

THIS DOCUMENT SUPERCEDES THE INSTALLATION INSTRUCTIONS OF THE OWNER'S MANUAL.



WARNING

- Risk of hyperthermia; people using medication and/or having an adverse medical history should consult a physician before using a Hydro-thermo massage® bathtub equipped with a heater.
- Risk of hyperthermia and possible drowning: do not use a Hydro-thermo massage® bathtub equipped with heater immediately following strenuous exercise.
- Risk of fetal injury; pregnant or possibly pregnant women should consult a physician before using a Hydro-thermo massage® bathtub equipped with a heater.
- Risk of accidental injury or drowning; do not use drugs or alcohol before or during the use of a Hydro-thermo massage® bathtub equipped with a heater.
- Use this unit only for its intended purposes or as described in this manual. Use only accessories or devices recommended by the manufacturer.
- Risk of hyperthermia and possible drowning. Check and adjust water temperature before use. Water temperature exceeding 100°F (38°C) may be injurious to your health.
- To reduce the risk of injury, as with any other conventional bath, do not allow children or physically impaired people to use this unit unless they are closely supervised at all times.
- To avoid injury, exercise care when entering or exiting the bathtub.
- The Geysair (option) should always be connected to the hot water intake. If it is not the case, then, the Geysair option should be deactivated via the bath control.


RISK OF ELECTRICAL SHOCK

- Disconnect electric power before servicing.
- Do not permit electrical appliances (hair dryer, lamp, telephone, radio, television, etc.) within 5' (1,5 m) of the Thermomasseur®.
- Before using the Thermomasseur®, its exterior construction (podium or skirting) should be finished so that a bather cannot accidentally come in contact with electrical components (turbine and power module).
- For indoor use only.

IMPORTANT SAFETY INSTRUCTIONS (cont'd)
PERTAINING TO RISKS OF FIRE, ELECTROCUTION OR PERSONAL INJURY**READ AND FOLLOW ALL INSTRUCTIONS ■ SAVE THESE INSTRUCTIONS**

THIS DOCUMENT SUPERCEDES THE INSTALLATION INSTRUCTIONS OF THE OWNER'S MANUAL.

ELECTRICAL CONNECTIONS:

- Never drop or insert objects into any openings.
- The Thermomasseur® must be connected only to a supply circuit that is protected by a 20 amp class A ground fault circuit interrupter (GFCI). Optional therapies such as Chromotherapy and/or 2nd heated backrest and/or WarmTouchShell® must be connected to a supply circuit that is protected by a 15 amp class A ground fault circuit interrupter (GFCI). This interrupter is supplied by a certified electrician and must be tested on a regular basis in accordance with manufacturer's instructions. The GFCI ground must be connected. If defective, do not use the Thermomasseur. Disconnect immediately and call a certified electrician.
- Use 12 AWG (or greater) copper conductors that resist heat of at least 194°F (90°C).
- Canada only: for permanently connected units. A green-colored terminal (or a wire connector marked g., gr., ground or grounding) is provided within the terminal compartment (not applicable if unit supplied with an electric plug). To reduce the risk of electrocution, connect this terminal or connector to the grounding terminal of your electric service or supply panel with conductor equivalent in size to the circuit conductors supplying the equipment and be 12 AWG or more.
- All electrical connections must be carried out by a certified electrician and must respect Federal, Provincial/State, and local building codes and regulations.
- Install in accordance with manufacturer's installation instructions.
- For Geysair-equipped baths using remote turbine installation (not mounted on the bath), grounding continuity must be tested between the bath grounding terminal  and the bath power supply. Failure to perform the grounding continuity test could result in serious personal injury.

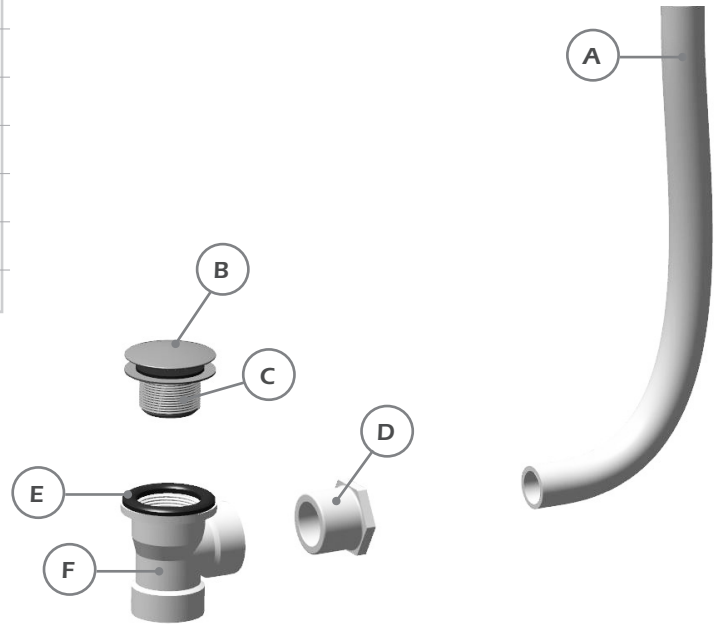
WATER LEAK TEST

- Once plumbing is fully installed and before beginning any other work, fill the ThermoMasseur® with water to overflow level and wait 30 minutes. Check all plumbing hook-ups and bath for leaks. BainUltra® is not responsible for any water damage caused by improper installation (see Warranty section).

PARTS & TOOLS

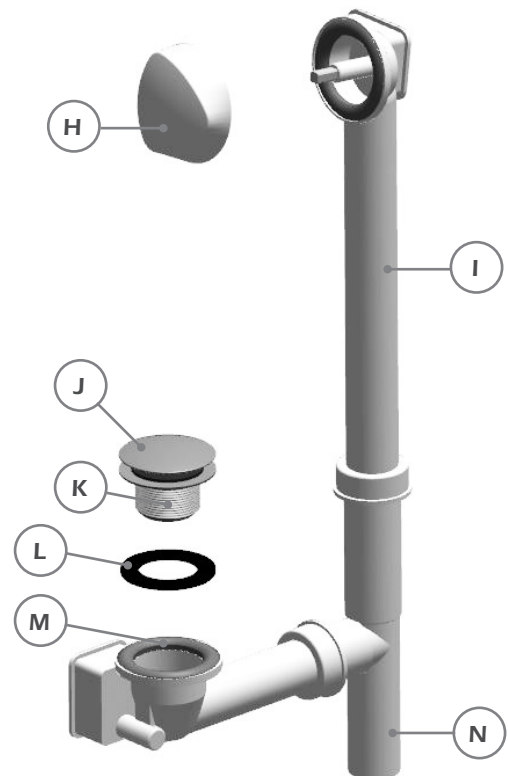
A. STANDARD PARTS - PLUMBING

	DESCRIPTION	QTY
A	«TigerFlex» PVC flexible pipe	1
B	Plated drain clicker	1
C	Strainer	1
D	1-1/2" drain male-to-male connector	1
E	Rubber seal	1
F	T Shape PVC drain	1



B. OPTIONAL PARTS - PLUMBING

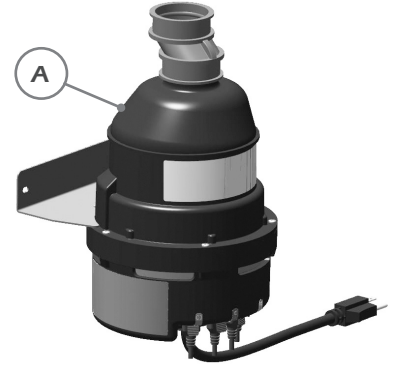
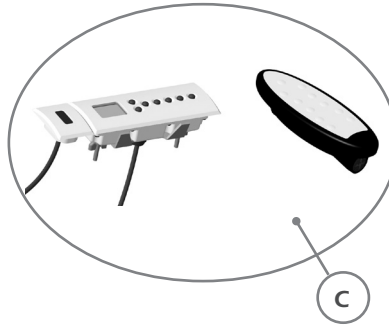
	DESCRIPTION	QTY
H	Articulated overflow cap	1
I	Overflow pipe	1
J	Plated drain clicker	1
K	Strainer	1
L	Seal	1
M	PVC cable driven drain	1
N	T Shape PVC connector (pipe)	1



STANDARD PARTS

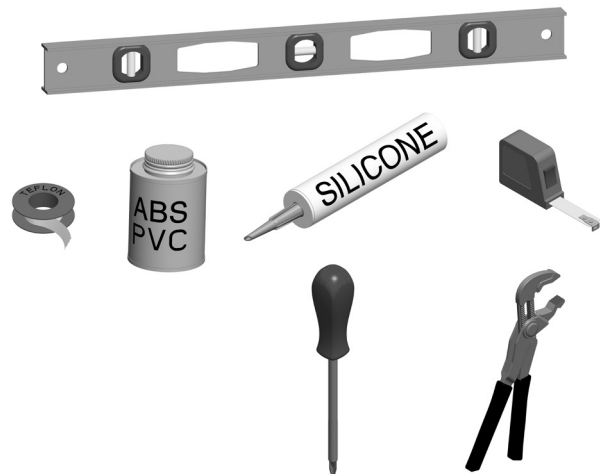
STANDARD PARTS – THERMOMASSEUR®

	DESCRIPTION	QTY
A	Turbine & Geysair	1
B	MiaPlus® Control	1
C	MiaMulti® Control (Optional)	1



MATERIAL & TOOLS REQUIRED

- 48 in. level
- Teflon tape
- ABS & PVC Glue
- Silicone
- Caulking gun
- Measuring tape
- Square Screwdriver Philips #2
- Slip joint pliers



SITE PREPARATION

PLUMBING

- See faucet manufacturer's specifications for zoning and plan water supply location accordingly.
- Position drain according to bath's technical specifications.



WARNING

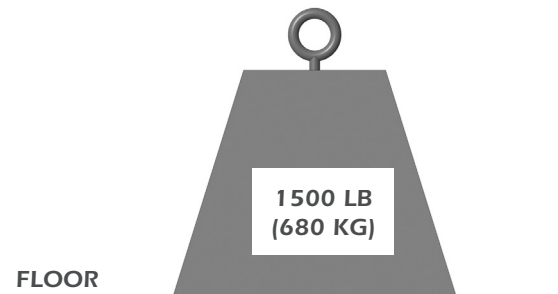
- All Monarch baths collection quartz deck surface must be drilled by a specialized installer with the appropriate drilling tools for quartz.
- Observe manufacturer's permitted zones for drilling deck surface with a minimum distance of 1-1 / 2" (4 cm) from the outside or inside edges. For detailed drilling plans, please contact BainUltra customer service.
- BainUltra® can not be held responsible for any drilling damage to the deck surface while installation

BEDDING

Before installing, ensure that the floor underneath the bath can support 1500 lb (680 kg).

No special installation is recommended by the manufacturer for the bedding of the bathtub; It can sit directly on the floor.

For this type of installation, it is preferable to insulate the concrete between two sheets of plastic, one installed on the floor and the other under the bathtub.



SERVICE ACCESS AND VENTILATION

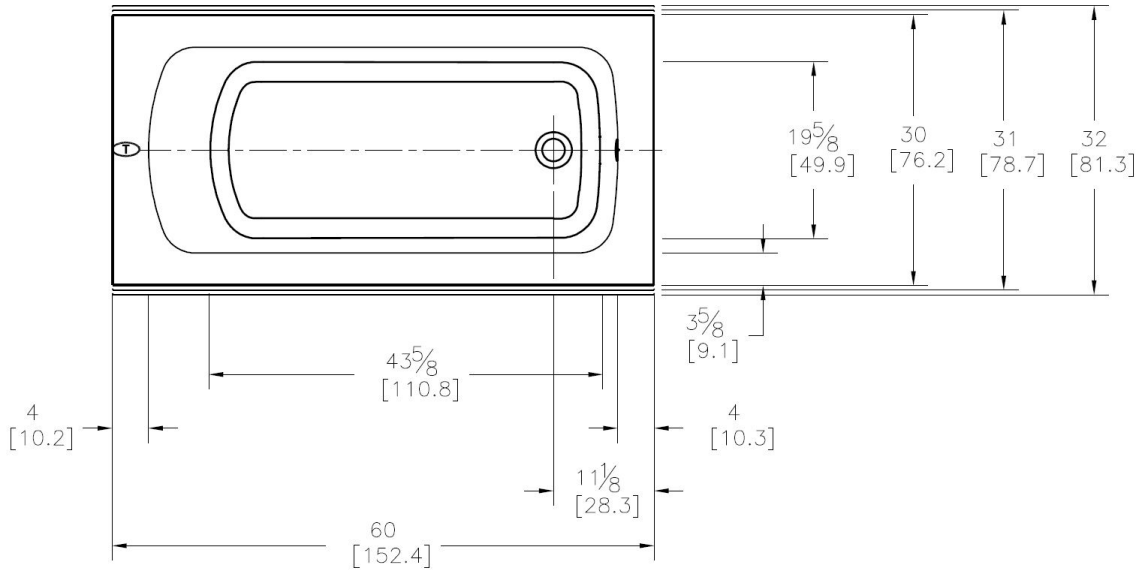
- A service access is necessary. Minimum dimensions are 22 in. x 18 in. (55 cm x 46 cm) to properly reach all electrical components of the system.
- An air vent is necessary. Minimum dimensions are: 2 in. x 4 in. (5 cm x 10 cm) to ensure proper functioning of the turbine.

There is a technical specification sheet for each BainUltra® ThermoMasseur® which includes information such as necessary dimensions of site before installation.

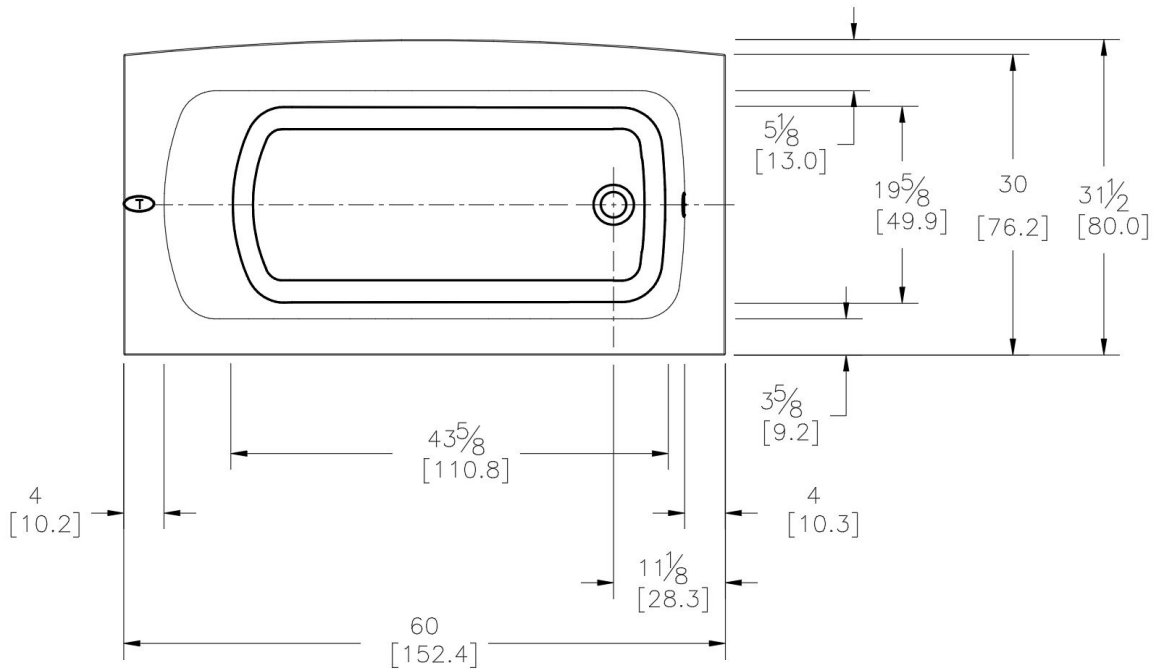
If you do not already have the technical specifications, download from the BainUltra® Web site at: bainultra.com or call us at: **1 800 463-2187**.

SITE PREPARATION

MONARCH 6030/6031/6032

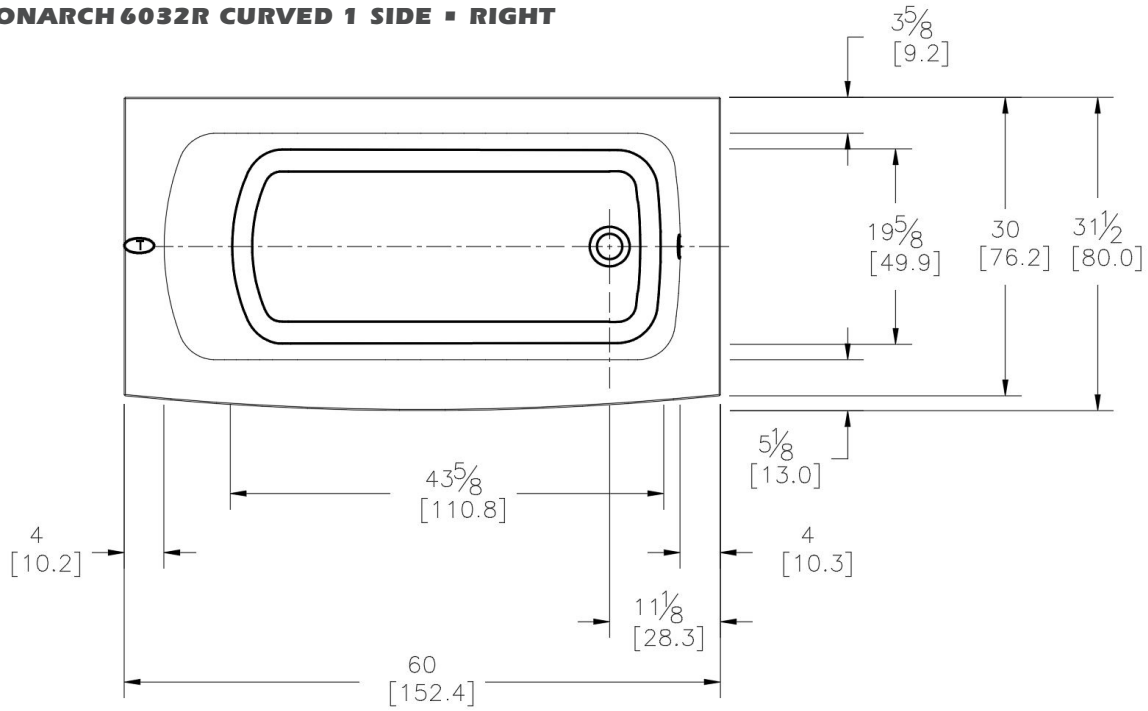


MONARCH 6032L ■ CURVED 1 SIDE ■ LEFT

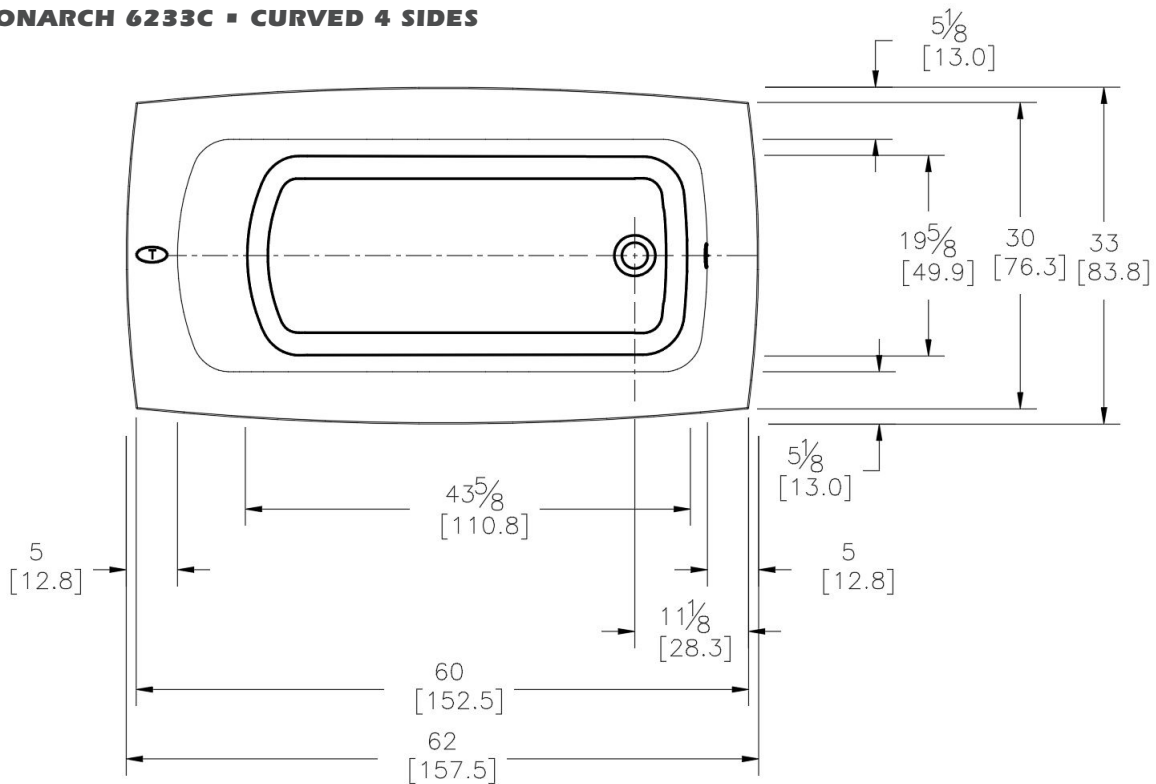


SITE PREPARATION

MONARCH 6032R CURVED 1 SIDE ▀ RIGHT

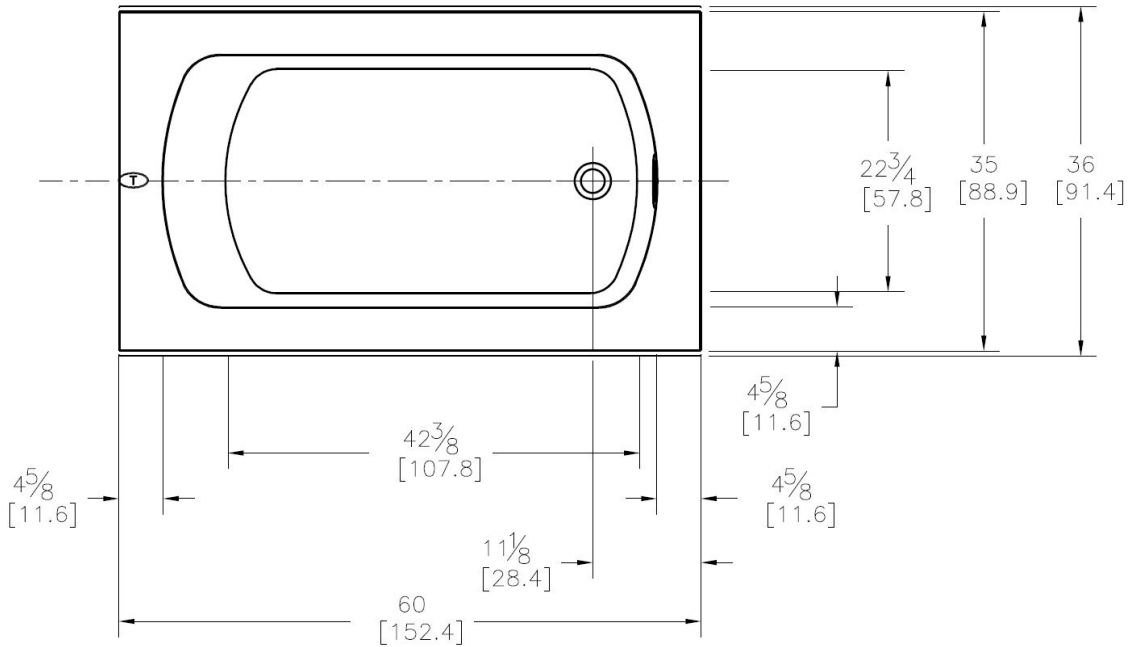


MONARCH 6233C ▀ CURVED 4 SIDES

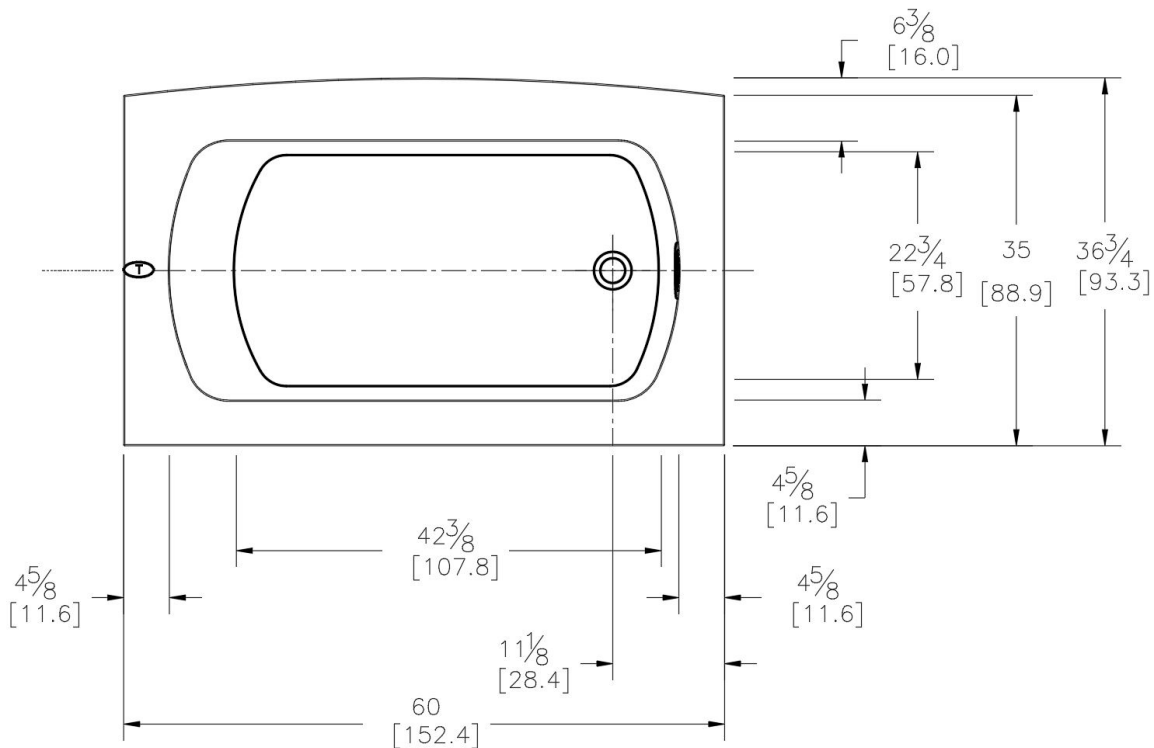


SITE PREPARATION

MONARCH 6035/6036

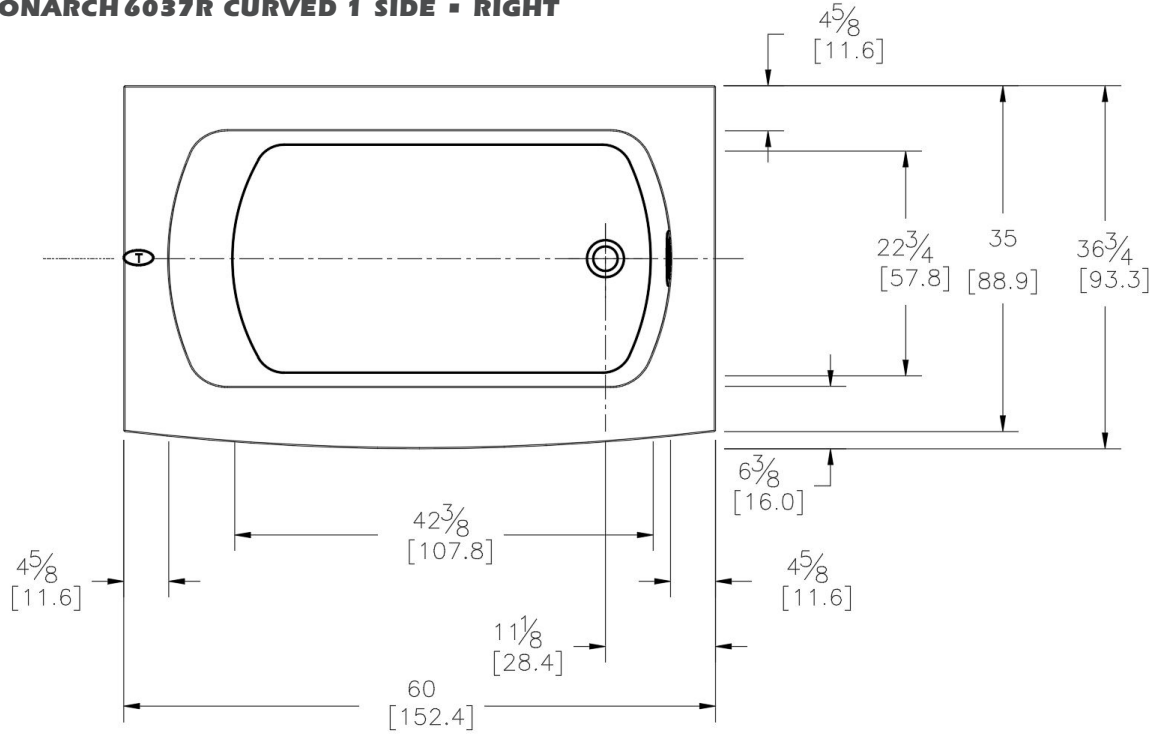


MONARCH 6037L ■ CURVED 1 SIDE ■ LEFT

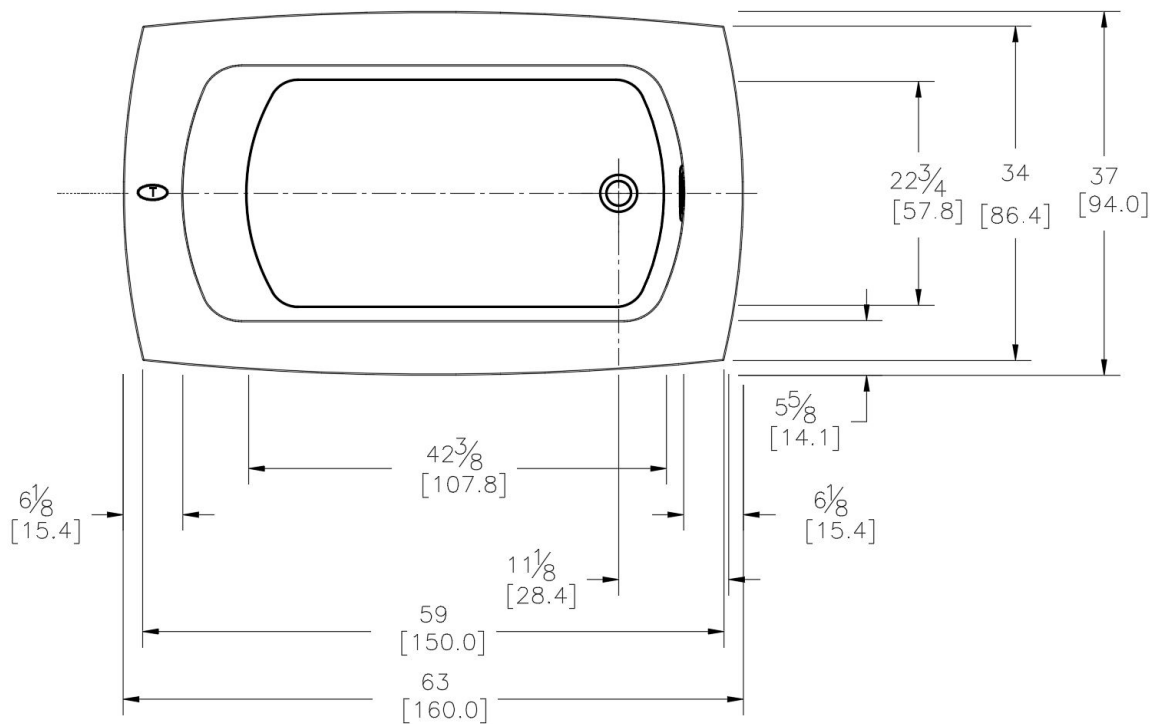


SITE PREPARATION

MONARCH 6037R CURVED 1 SIDE - RIGHT

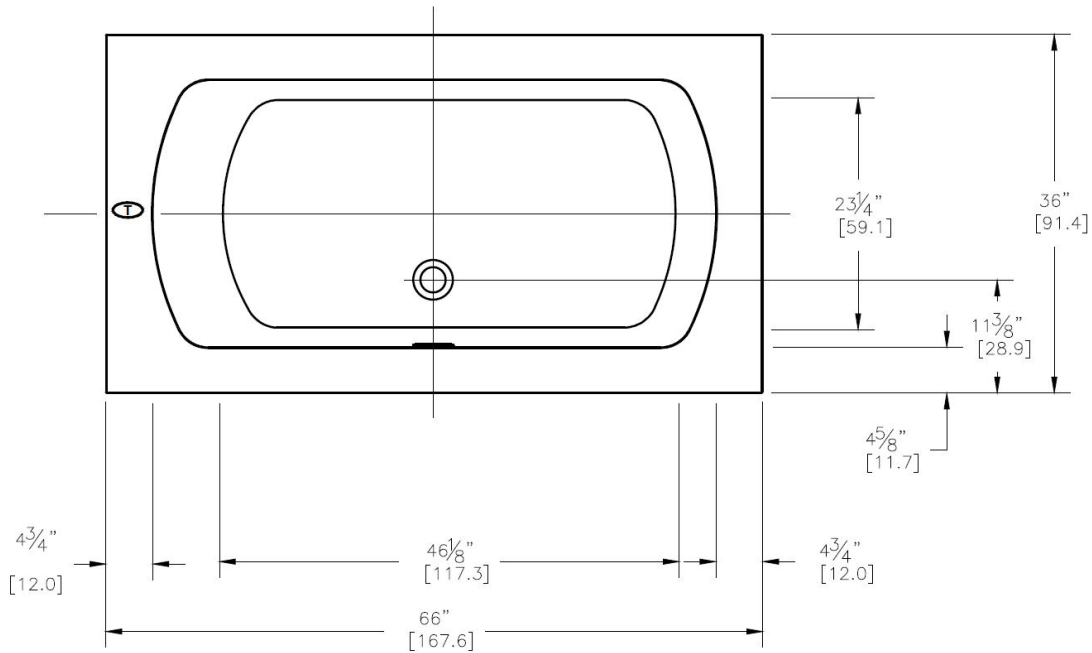


MONARCH 6337C - CURVED 4 SIDES

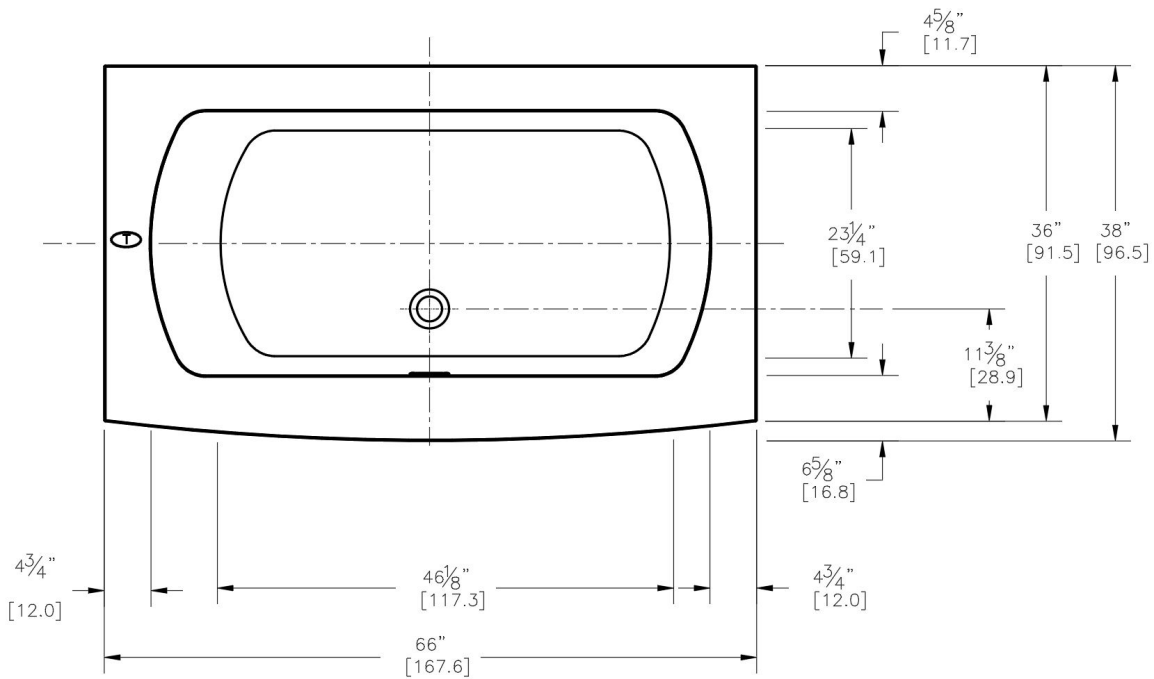


SITE PREPARATION

MONARCH 6636

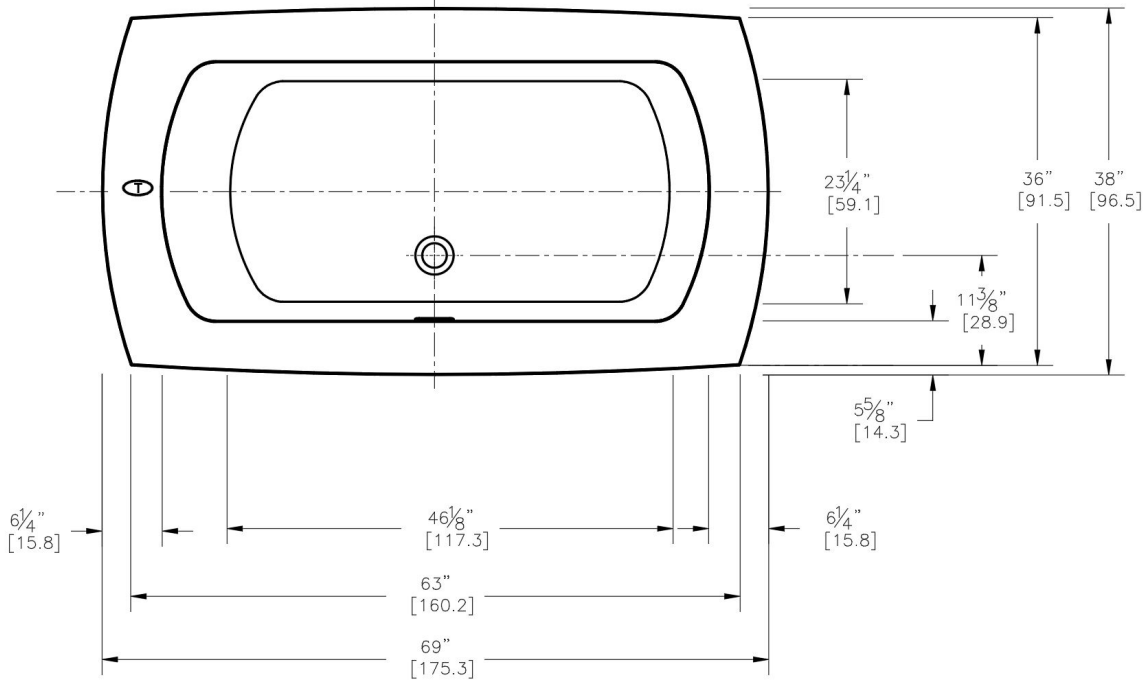


MONARCH 66638F - CURVED 1 SIDE

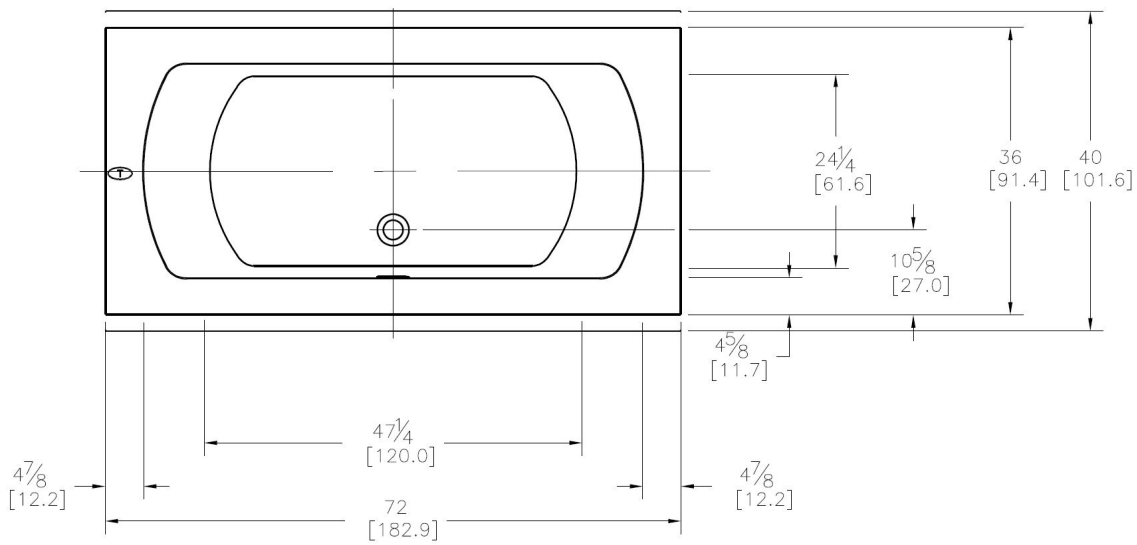


SITE PREPARATION

MONARCH 6938C CURVED 4 SIDES

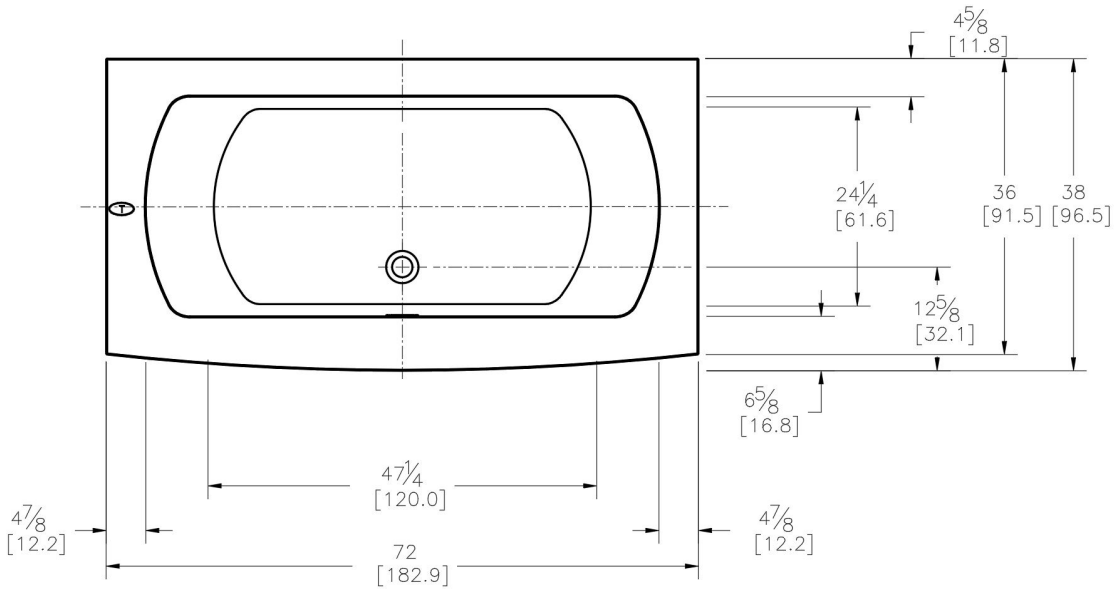


MONARCH 7236/7240

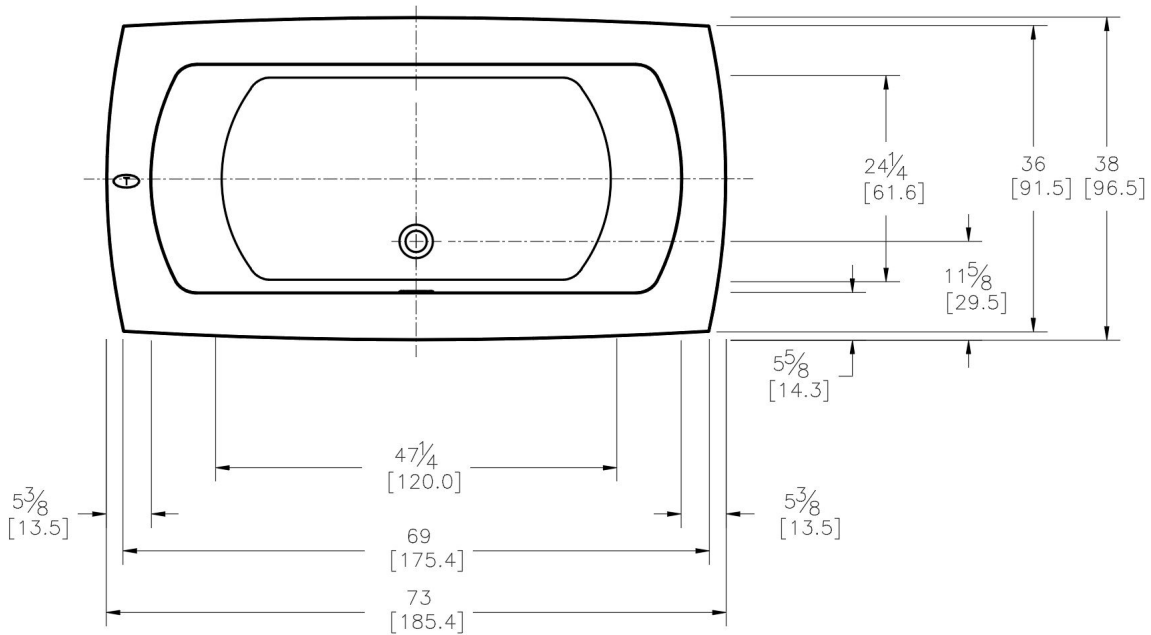


SITE PREPARATION

MONARCH 7238F



MONARCH 7338C - CURVED 4 SIDES



PLUMBING PREPARATION

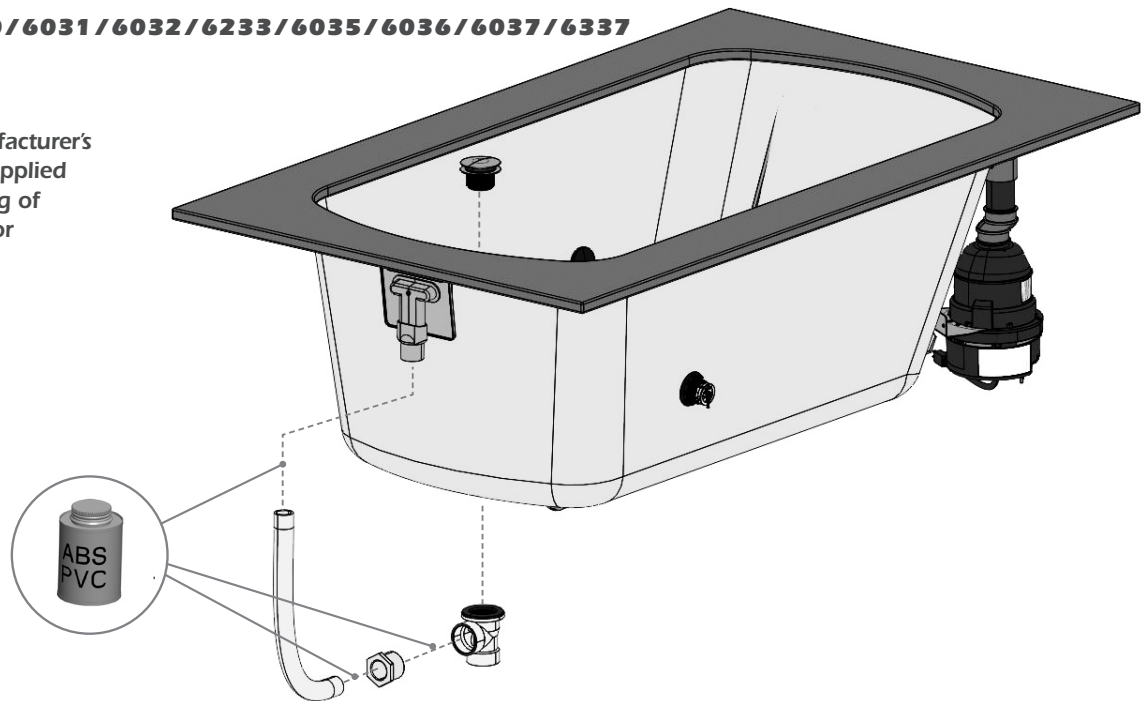
MONARCH - installation

STANDARD WASTE & OVERFLOW -

MONARCH 6030/6031/6032/6233/6035/6036/6037/6337

! WARNING

- Refer to manufacturer's instructions supplied with packaging of components for final assembly.

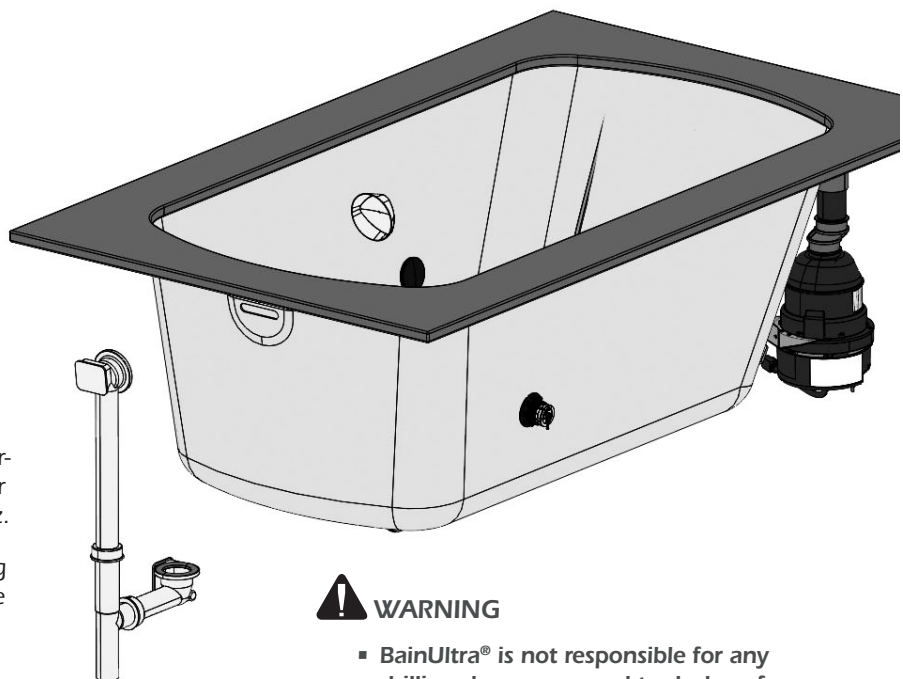


WASTE & OVERFLOW (OFFERED IN OPTION) -

MONARCH 6030/6031/6032/6233/6035/6036/6037/6337

! WARNING

- Refer to manufacturer's instructions supplied with packaging of components for final assembly.



DRILLING FOR FAUCET INSTALLATION

All Monarch baths collection quartz deck surface must be drilled by a specialized installer with the appropriate drilling tools for quartz.

Observe permitted drilling zones by keeping a 1-1/2 in (4 cm) distance away from outside and inside deck surface edges.

For drilling detailed plans please contact BainUltra's Customer Service.

! WARNING

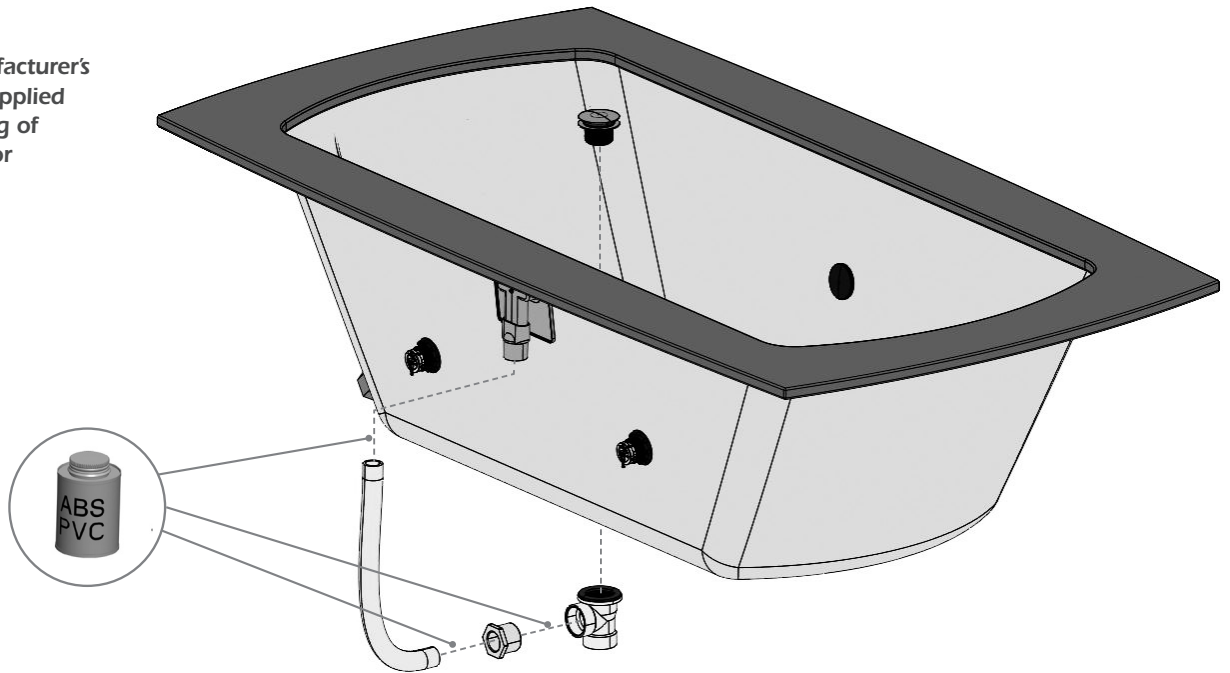
- BainUltra® is not responsible for any drilling damage caused to deck surface during installation.

PLUMBING PREPARATION

STANDARD WASTE & OVERFLOW - MONARCH 6636/6638/6938/7236/7238/7240/7338

! WARNING

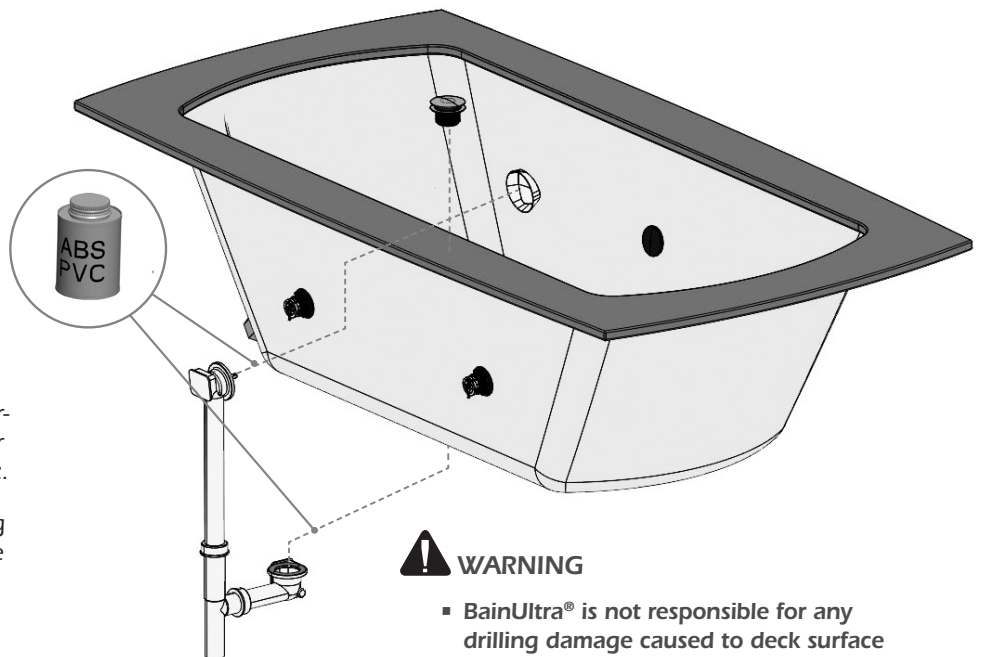
- Refer to manufacturer's instructions supplied with packaging of components for final assembly.



**OPTIONAL WASTE & OVERFLOW-
MONARCH 6636/6638/6938/7236/7238/7240/7338**

! WARNING

- Refer to manufacturer's instructions supplied with packaging of components for final assembly.



DRILLING FOR FAUCET INSTALLATION

All Monarch baths collection quartz deck surface must be drilled by a specialized installer with the appropriate drilling tools for quartz.

Observe permitted drilling zones by keeping a 1-1/2 in (4 cm) distance away from outside and inside deck surface edges.

For drilling detailed plans please contact BainUltra's Customer Service.

! WARNING

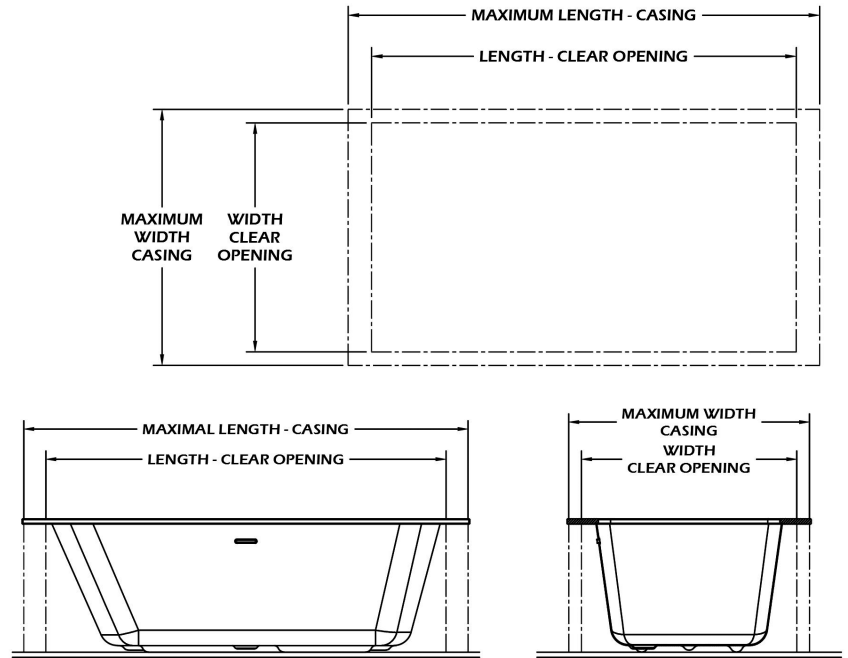
- BainUltra® is not responsible for any drilling damage caused to deck surface during installation.

BOX INSTALLATION

BOX CONSTRUCTION

WARNING

- Before starting box construction, you must consider to clear opening minimum dimensions and the max outside edge dimensions so the deck rim exceeds the box. See table below.
- A service access is necessary. Minimum dimensions are 22 in. x 18 in. (55 cm x 46 cm) to properly reach all electrical components of the system to facilitate repairs.
- An air intake of at least 2 in x 4 in (5 cm x 10 cm) is necessary to ensure proper functioning of the turbine.

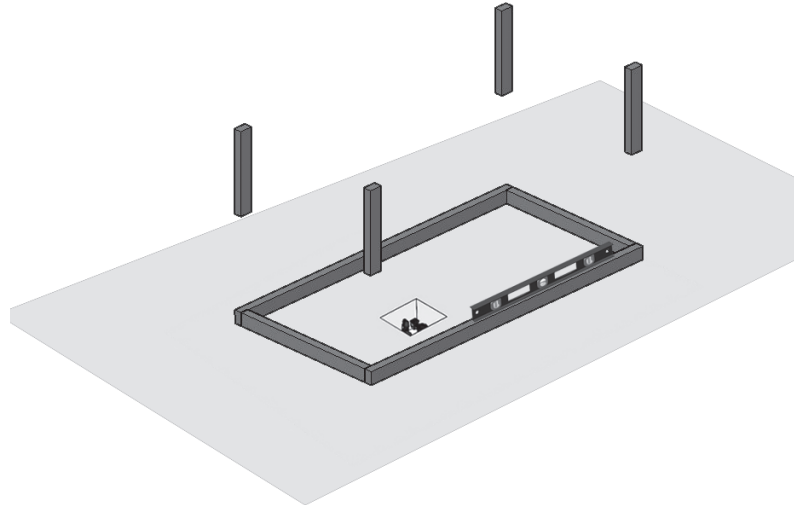


Model	Clear Opening				BOX maximum dimensions			
	LENGTH (in)	WIDTH (in)	LENGTH (cm)	WIDTH (cm)	LENGTH. (in)	WIDTH (in)	LENGTH (cm)	WIDTH (cm)
6030	56-1/2	25	144	64	59-1/2	29-1/2	151	75
6031	56-1/2	25	144	64	59-1/2	30-1/2	151	77
6032	56-1/2	25	144	64	59-1/2	31-1/2	151	80
6032L	56-1/2	25	144	64	59-1/2	29-1/2	151	75
6032R	56-1/2	25	144	64	59-1/2	29-1/2	151	75
6233	56-1/2	25	144	64	58-1/2	29-1/2	149	75
6035	56	29	142	74	59-1/2	34-1/2	151	88
6036	56	29	142	74	59-1/2	35-1/2	151	90
6037L	56	29	142	74	59-1/2	34-1/2	151	88
6037R	56	29	142	74	59-1/2	34-1/2	151	88
6337C	56	29	142	74	57-1/2	33-1/2	146	85
6636	59	31-3/4	150	81	65-1/2	35-1/2	166	90
6638F	59	31-3/4	150	81	65-1/2	35-1/2	166	90
6938C	59	31-3/4	150	81	62-5/8	35-1/2	159	90
7236	65	31-3/4	165	81	71-1/2	35-1/2	181	90
7238F	65	31-3/4	165	81	71-1/2	35-1/2	181	90
7240	65	31-3/4	165	81	71-1/2	39-1/2	181	100
7338C	65	31-3/4	165	81	67-1/2	35-1/2	171	90

BOX INSTALLATION

BOX - CONSTRUCTION

- Drill an opening in the floor where the drain will be positioned.
- Build a wood base (2" x 3" or other) to hold the lateral panels.
- Adding studs to the four corners can facilitate the fixing of the panels together



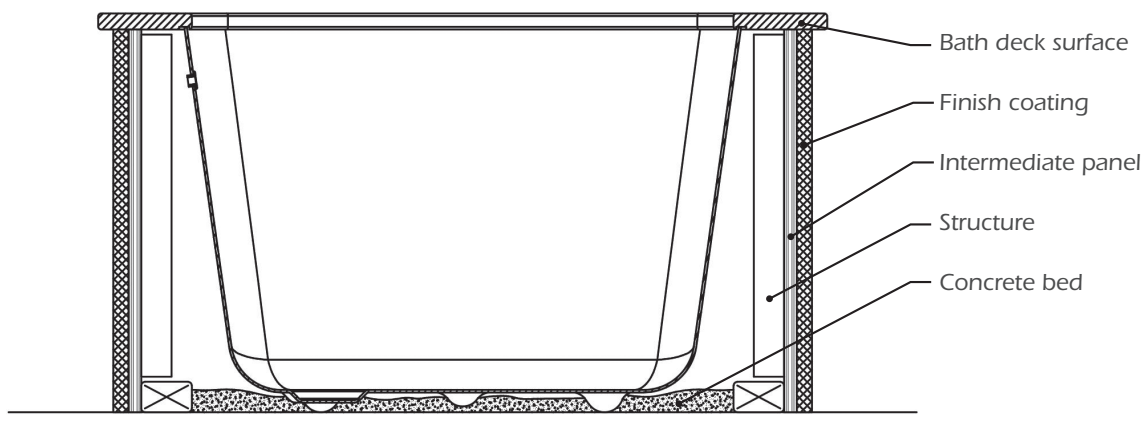
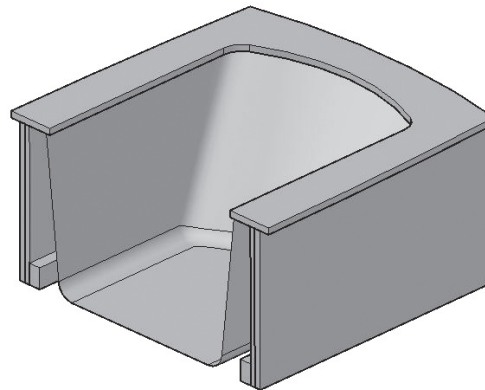
! WARNING

- Make sure that the structure is levelled to the ground and square.
- **The deck surface and the bottom of the bath must be supported simultaneously.**



TIP:

To ensure the simultaneous support of the bottom of the bath and the bottom of the deck, a concrete bed under the bath is recommended. For this type of installation, it is preferable to insulate the concrete between two sheets of plastic, one installed on the floor and the other under the bathtub. Ceramic cement-glue can also be used instead of concrete; it is more malleable and does not break.



BOX INSTALLATION

BOX - CONSTRUCTION (CONT'D)

- Fix intermediate panels (plywood recommended) on the sides and at the top.

WARNING

- **Keep an access to perform electrical & plumbing connections.**
- **An air intake of at least 2" x 4" (5 cm x 10 cm) is necessary to ensure proper functioning of the turbine.**

TIPS:

- Make an opening of sufficient dimension in the panels to allow connection access.
- Apply the finish coating on the walls, around opening.

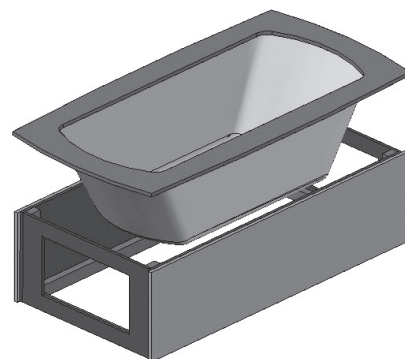
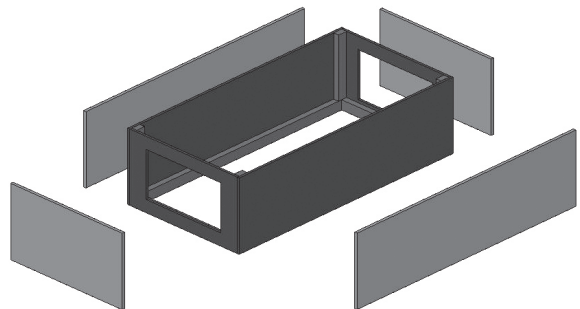
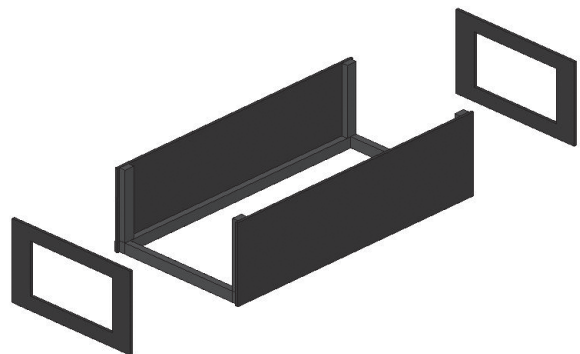
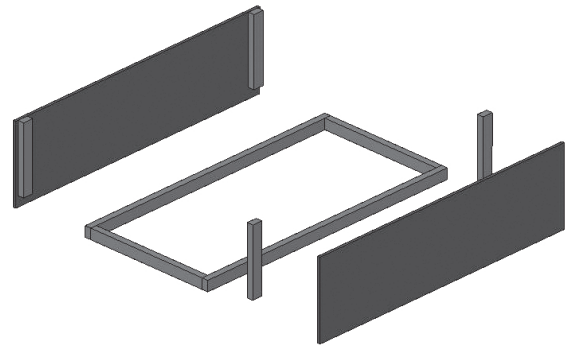
WARNING

- **Keep an access to perform electrical & plumbing connections.**

- Place the bath in the box opening.

WARNING

- Do not remove the protective plastic film on the tub and place a drop-cloth in the tub during installation to protect the acrylic.
- Be careful not to damage to the turbine and all other components during bath insertion in the box.



BOX INSTALLATION

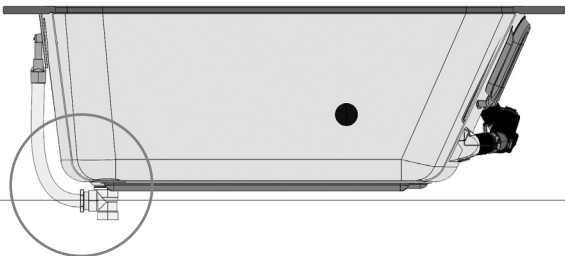
BOX - CONSTRUCTION (CONT'D)

■ CONNECT THE DRAIN

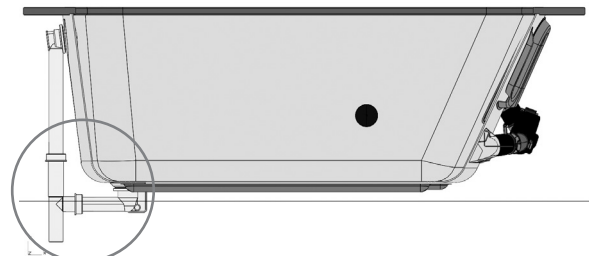
! WARNING

- Ensure that there is the minimum clearance below the floor as shown below to insert the drain connector down following the appropriate waste & overflow assembly.
- Perform a leak test before completing the bath installation in the box.

MONARCH 6030/6031/6032/6233/6035/6036/6037/6337

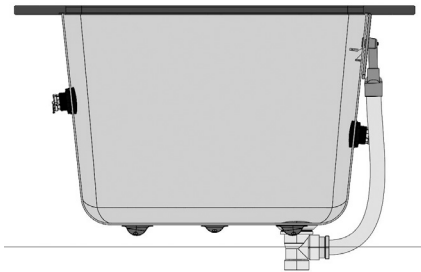


Standard waste & overflow

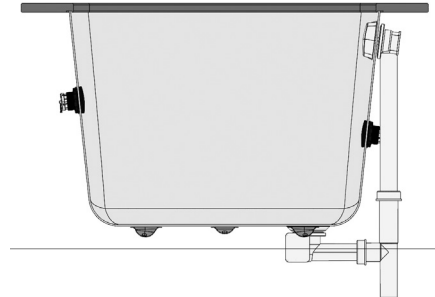


Waste & overflow (Offered as option)

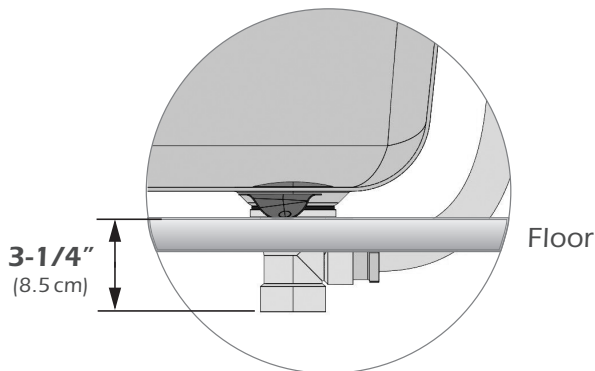
MONARCH 6636/6638/6938/7236/7238/7240/7338



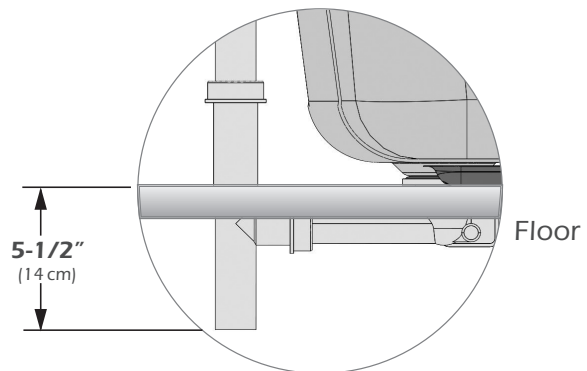
Standard waste & overflow



Waste & overflow (Offered as option)



Detail - Standard waste & overflow



Detail - Waste & overflow (Offered as option)

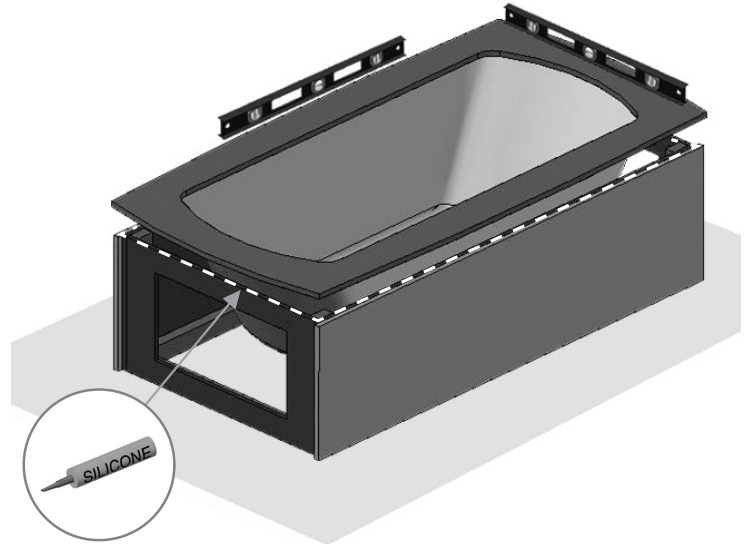
BOX INSTALLATION

BOX - CONSTRUCTION (CONT'D)

▪ FINAL STEP OF BATH INSTALLATION

WARNING

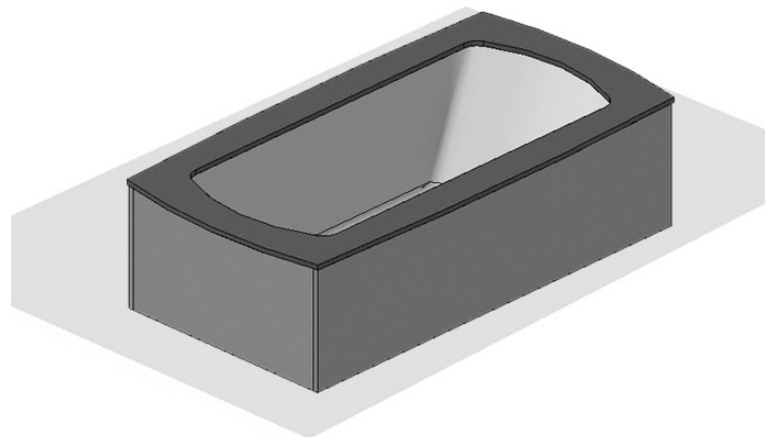
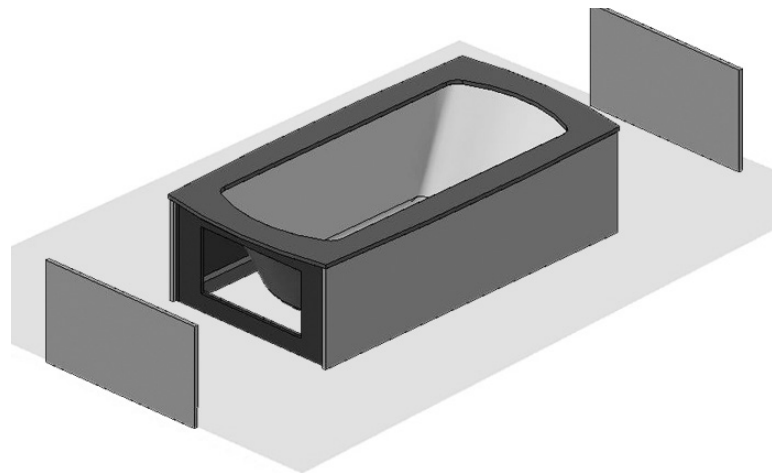
- Make sure you have enough space to make electrical connections to the components.
- Leave the plastic film on the bath and place a drop-cloth in the bath during installation.
- The bath is molded with a slope towards the drain. If the bathtub is levelled according to bath deck surface, the water will drain completely.
- The use of shims is required to level the bath. However, the placement of a concrete bed under the bath is recommended to ensure a well distributed support the bottom of the deck.
- Apply a bead of silicone to the perimeter of the bath to seal the top of the box.



▪ COMPLETE BOX FINISH

WARNING

- Before closing the box, make all the connections of the electrical components. See pages 27 to 31 for this step.
- A minimum 22 in x 18 in (55 cm x 46 cm) access is necessary to reach all electrical components and facilitate repairs.
- In addition, an air intake of at least 2 in x 4 in (5 cm x 10 cm) is necessary to ensure the proper functioning of the turbine.



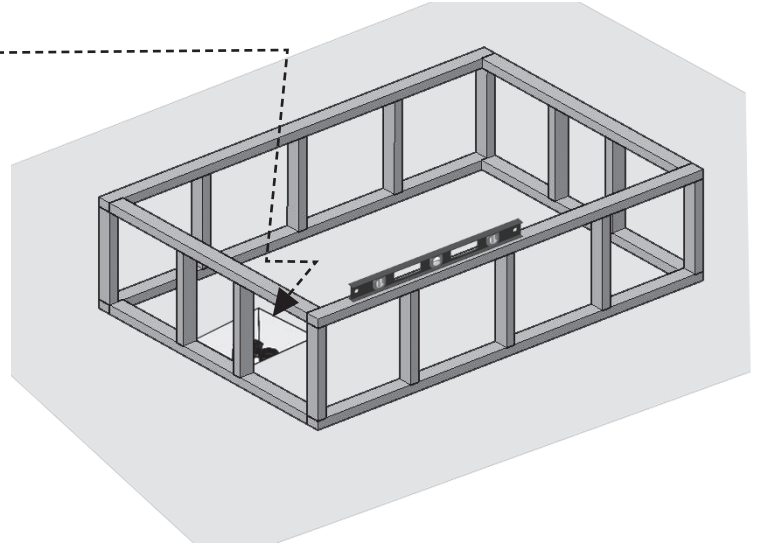
DROP-IN INSTALLATION

DROP-IN - CONSTRUCTION

- Drill an opening in the floor where the drain will be positioned:
- Build a wood base (2" x 3" or other) to hold the lateral panels.

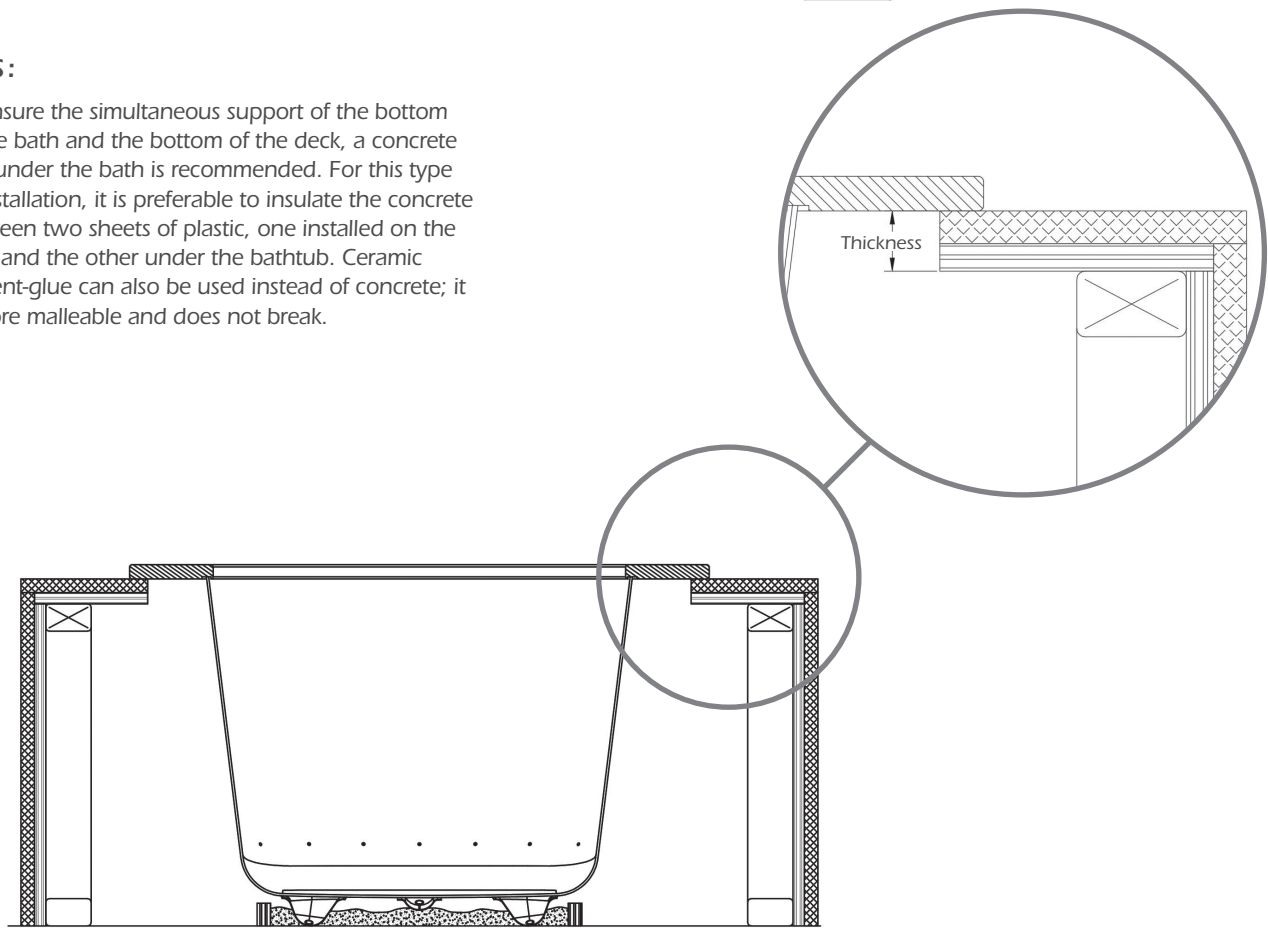
! WARNING

- Make sure that the structure is levelled to the ground and square.
- Consider the thickness of the intermediate panels (plywood), the choice of finish (ceramic, laminate, granite, marble, quartz or other), and height of the bath under the deck.
- **The deck surface and the bottom of the bath must be supported simultaneously.**



💡 TIPS:

To ensure the simultaneous support of the bottom of the bath and the bottom of the deck, a concrete bed under the bath is recommended. For this type of installation, it is preferable to insulate the concrete between two sheets of plastic, one installed on the floor and the other under the bathtub. Ceramic cement-glue can also be used instead of concrete; it is more malleable and does not break.



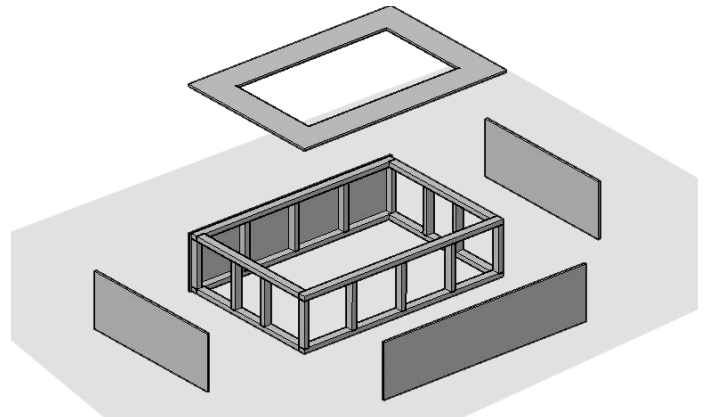
DROP-IN INSTALLATION

DROP-IN – CONSTRUCTION (SUITE)

- Fix the intermediate panels (plywood recommended) on the sides and top.

WARNING

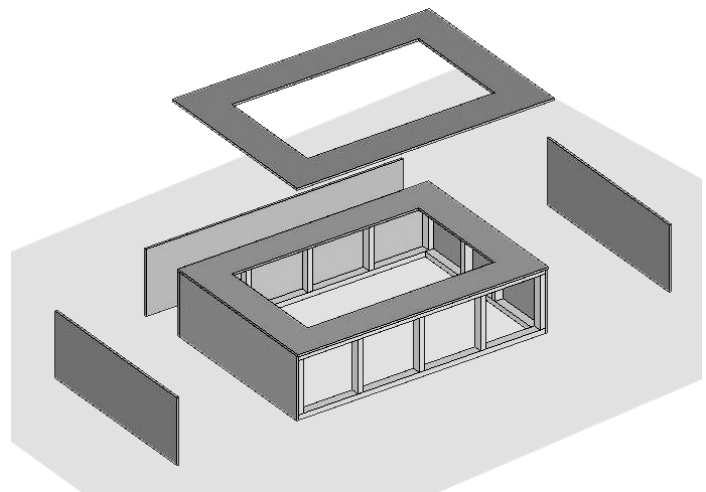
- Draw the outside contour of the bath on the top panel.
- Cut the top of the panel at 1 in (2.5cm) inside the outline of tub deck dimension.
- Keep access for electrical and plumbing connections.



- Apply the finish coating on the perimeter and top on the podium.

WARNING

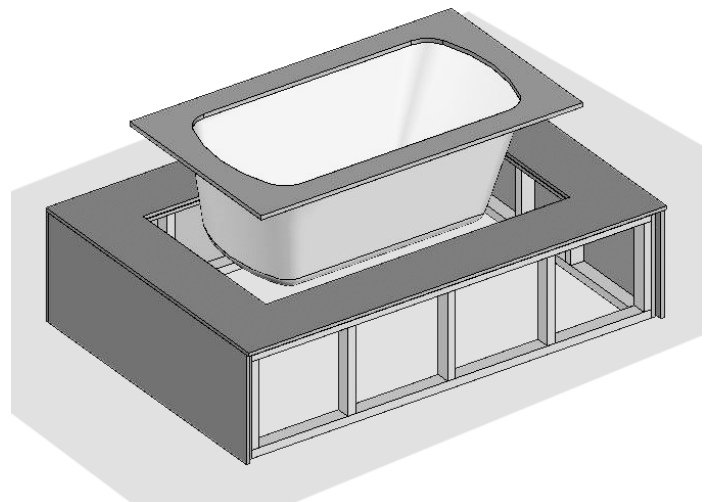
- Draw the outer contour of the bath area on the top panel.
- Cut the outline of the bath on the top panel to 1 in. (2.5 cm) inside the outline of the bath deck surface.
- If the finish is composed of ceramic tiles, you can trim the tiles by guiding the edge of the intermediate panel previously mounted to the structure.
- **Keep access for electrical and plumbing connections.**



- Position the bath in the opening of the podium.

WARNING

- Leave the plastic film on the bath and make sure to extend a cover in the bath during installation.
- Pay attention to the turbine and the other components attached to the bath during insertion.



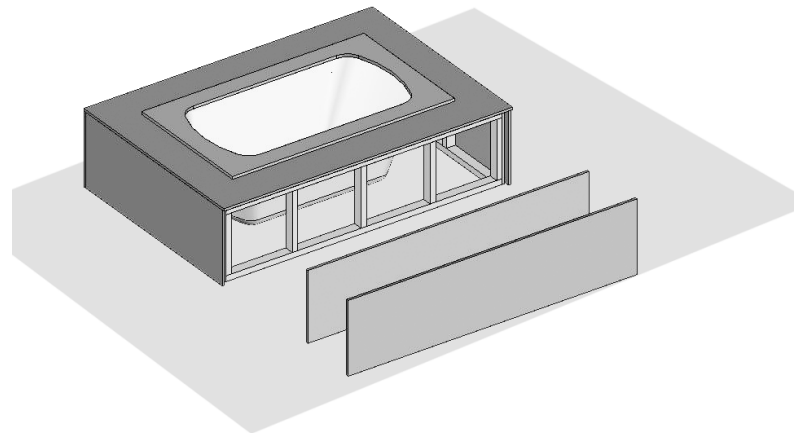
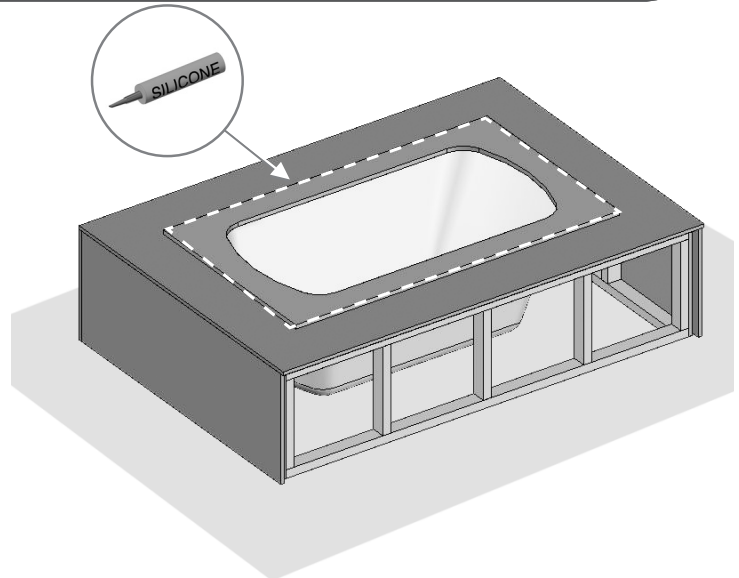
DROP-IN INSTALLATION

DROP-IN - CONSTRUCTION (SUITE)

- Connect the drain.
See page 18 for this step.
- Final step of bath installation.

! WARNING

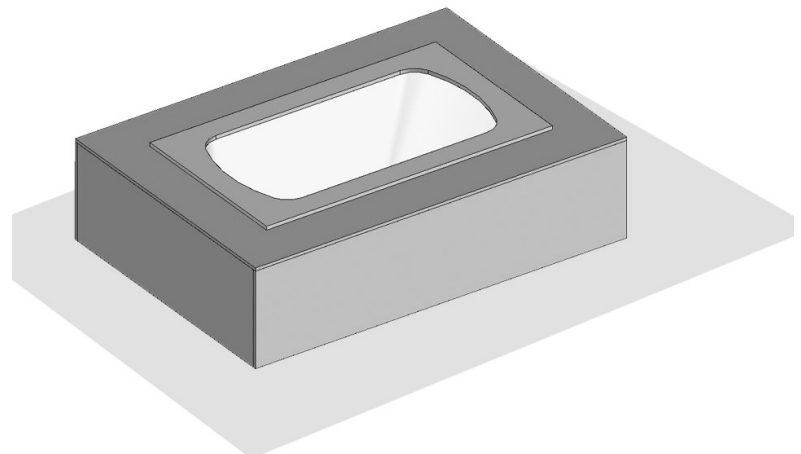
- Make sure you have enough space to perform the electrical connections of the components.
- Leave the plastic film on the bath and place a drop-cloth a cover in the bath during installation.
- The bath is molded with a slope towards the drain. If the bathtub is level from the beaches, the water will drain completely.
- The use of shims is required to level the bath. However, a concrete bed under the bath is recommended to ensure a well distributed support in conjunction with the bottom of the deck.
- Apply a bead of silicone to the perimeter of the bath to seal with the top of the box.



▪ COMPLETE DROP-IN FINISH

! WARNING

- Before closing the box, complete all electrical connections of the components. See pages 27 to 31.
- A minimum 22 in x 18 in (55 cm x 46 cm) access is necessary to reach all electrical components and facilitate repairs.
- In addition, an air intake of at least 2 in x 4 in (5 cm x 10 cm) is necessary to ensure the proper functioning of the turbine.



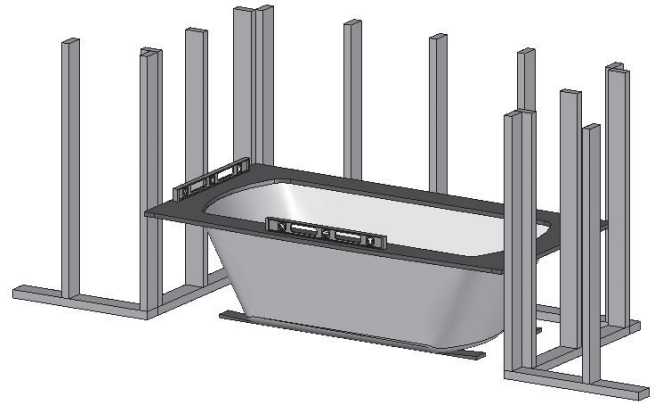
ALCOVE INSTALLATION (BETWEEN 2 OR 3 WALLS)

WARNING

- Observe manufacturer's permitted zones for drilling deck surface with a minimum distance of 1-1 / 2" (4 cm) from the outside or inside edges. For detailed drilling plans, please contact BainUltra customer service.
- In addition, an air intake of at least 2 in x 4 in (5 cm x 10 cm) is required to ensure proper turbine operation.

HEIGHT ADJUSTEMENT

- Place the bath against the walls.
- Adjust level on deck by length and width. Use shims for leveling.



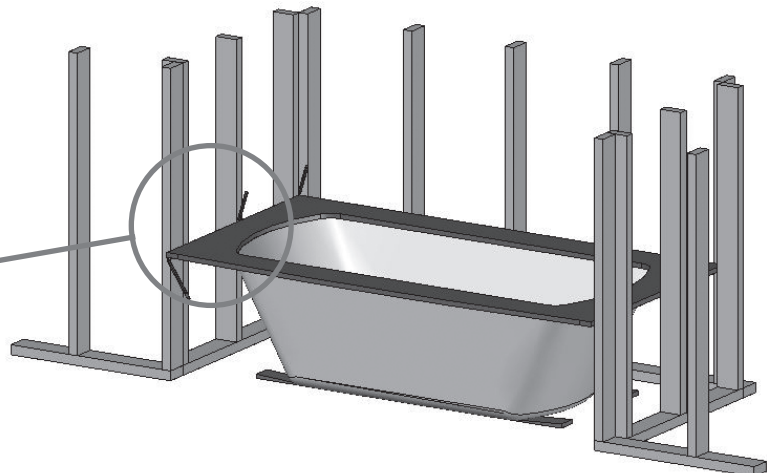
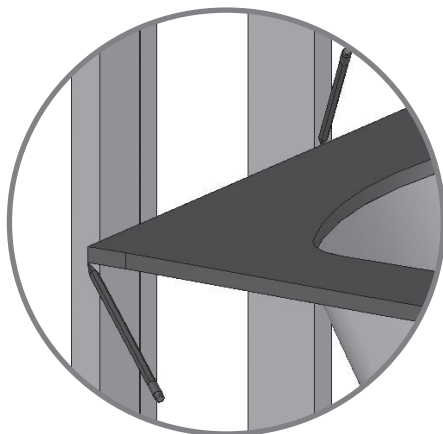
WARNING

- The deck surface and the bottom of the bath must be supported simultaneously.



TIPS:

- Glue shims to the ground to prevent them from moving.
- To ensure simultaneous support of the bottom of the bath and the bottom of the bath deck surface, a concrete bed under the bath is recommended. For this type of installation, it is preferable to insulate the concrete between two sheets of plastic, one installed on the floor and the other under the bathtub. Ceramic cement-glue can also be used instead of concrete; it is more malleable and does not break.
- Using a pencil, mark position of wood support to be attached to wall by tracing a line underneath the deck of the bath.

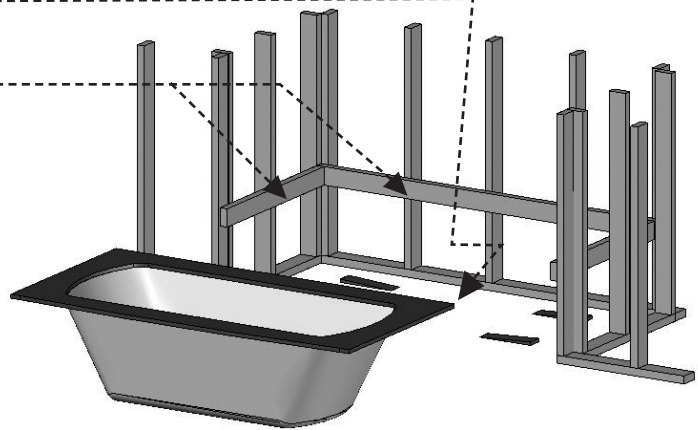


ALCOVE INSTALLATION (BETWEEN 2 OR 3 WALLS)

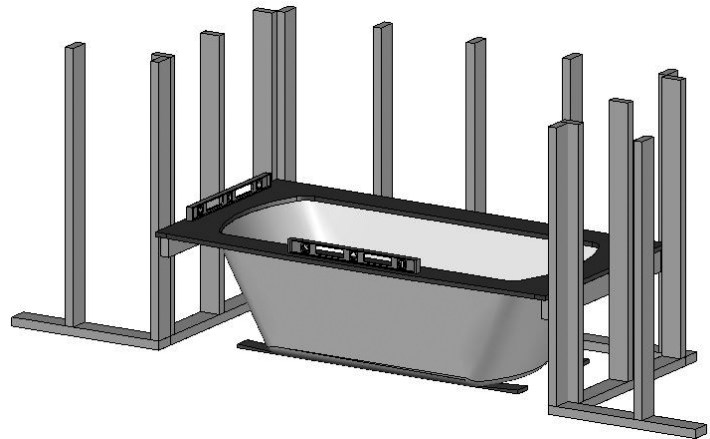
- Remove bath from its location.
- Make an opening to the floor for the drain.
- Fasten rails to the supporting walls by aligning them under the lines drawn below the rim edges.
- Align wood support with markings and nail into place on the wall studs.

! WARNING

- Provide clearance at the front to compensate the thickness of a front panel.

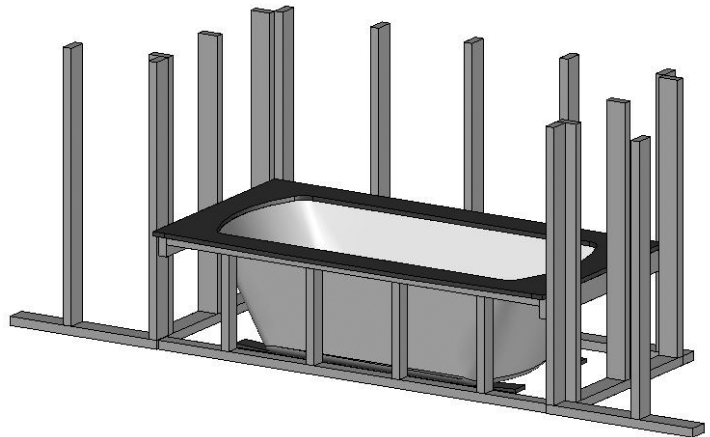


- Reposition the bath and make sure it is level.
- Connect the drain. See page 18 for the minimum clearance required under the floor.
- Make all the electrical connections of the components. See pages 27 to 31 for this step.
- To finish the front of the bath, make a structure to support the deck



! WARNING

- The front panel can not provide on its own enough support to prevent the breakage of the quartz deck surface.
- Consider the thicknesses of the wood pieces according to the desired look of the deck and the thickness of the front panel finish.
- Provide a vertical upright stud every 16 in (40 cm) to provide constant support under the deck.



ALCOVE INSTALLATION (BETWEEN 2 OR 3 WALLS)

- Apply the front panel.

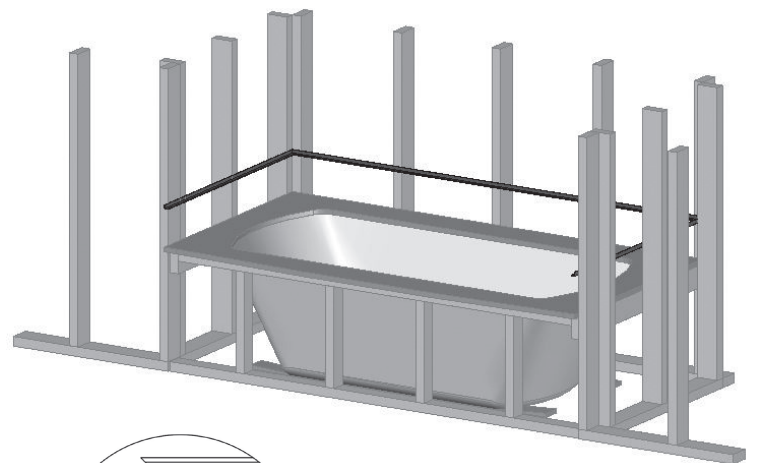
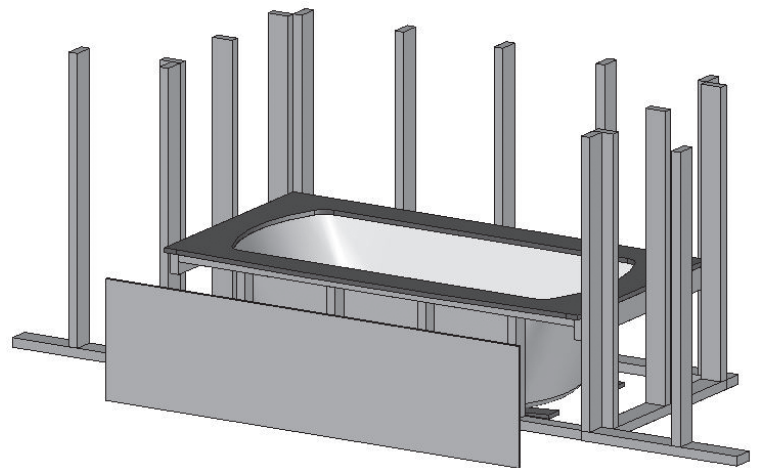
WARNING

- Minimum 22 in x 18 in (55 cm x 46 cm) access to all electrical and electronic components of the system must be provided to facilitate repairs.
- In addition, an air intake of at least 2 in x 4 in (5 cm x 10 cm) is required to ensure proper turbine operation.

TIPS:

To help finishing work along the walls, a tile flange can be supplied with your bath.

To ensure the simultaneous support of the bottom of the bath and the bottom of the deck, a concrete bed under the bath is recommended. For this type of installation, it is preferable to insulate the concrete between two sheets of plastic, one installed on the floor and the other under the bathtub. Ceramic cement-glue can also be used instead of concrete; it is more malleable and does not break.


TILING FLANGE

- Using a miter box and a fine-toothed saw cut 3 lengths adjusted to the edges of the deck against the walls.
- Cut corners at 45° angle (Figure A).
- Remove the protective film from the bath area.
- Remove the film from the adhesive tape on the back of the flanges, and stick it on the edges of the deck against the walls (Figure B).
- Apply a bead of silicone between the edge of the flange and the top of the deck (Figures C and D), and at the corners.

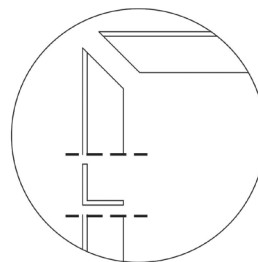


Figure A

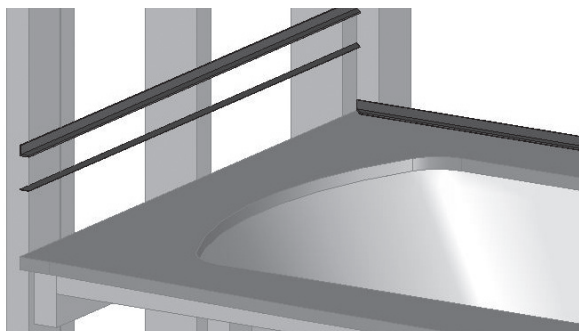


Figure B

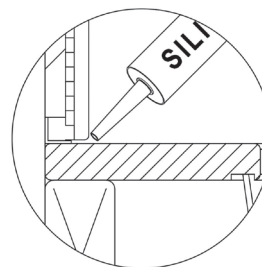


Figure C

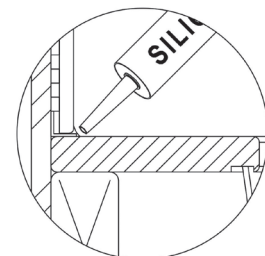


Figure D

**BATH INSTALLATION
PLUMBING AND ELECTRICAL CONNECTIONS**

ELECTRONIC CONTROL INSTALLATION - MIAPLUS® & MIAMULTI® (OPTIONAL)

LOCATION: Determine the most convenient location, on the wall close to tub. Peel off the sticker's protective film behind the control. You can add a silicone bead to secure to the wall.

! WARNING

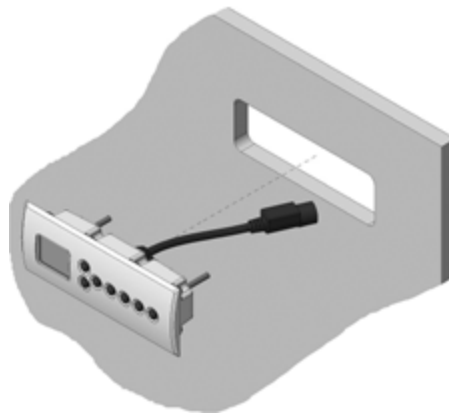
- Baths from Monarch collection cannot be drilled for faucet installation. Faucets must be freestanding or wall-mounted model
- **DRILLING OF WALL:** Refer to the **Cutting Template on page 34** for the location and diameter of the holes.

TOOLS REQUIRED

- Jig saw with fine cut blade
- Drill
- 1/4 in. drill bit

TOUCH PAD INSTALLATION

- Push wiring through drilled holes.
- Remove protective film from watertight seal.
- Secure to the wall with permanent waterproof sealant (mold-free clear silicone for bathrooms).
- Secure temporarily with a tape for about 24 h.



ELECTRONIC CONTROL INSTALLATION - DOT

TOOLS REQUIRED

- 7/8 in. Hole saw
- Drill

TOUCH PAD INSTALLATION

- Push wiring through drilled holes.
- Remove protective film from watertight seal.
- Secure to the wall with permanent waterproof sealant (mold-free clear silicone for bathrooms).
- Secure temporarily with a tape for about 24 h.



DOT WarmTouchShell® (WTS)



DOT Chromatherapy (LED)



! WARNING

- You will find the control attached to the turbine, or to the electronic control modules.

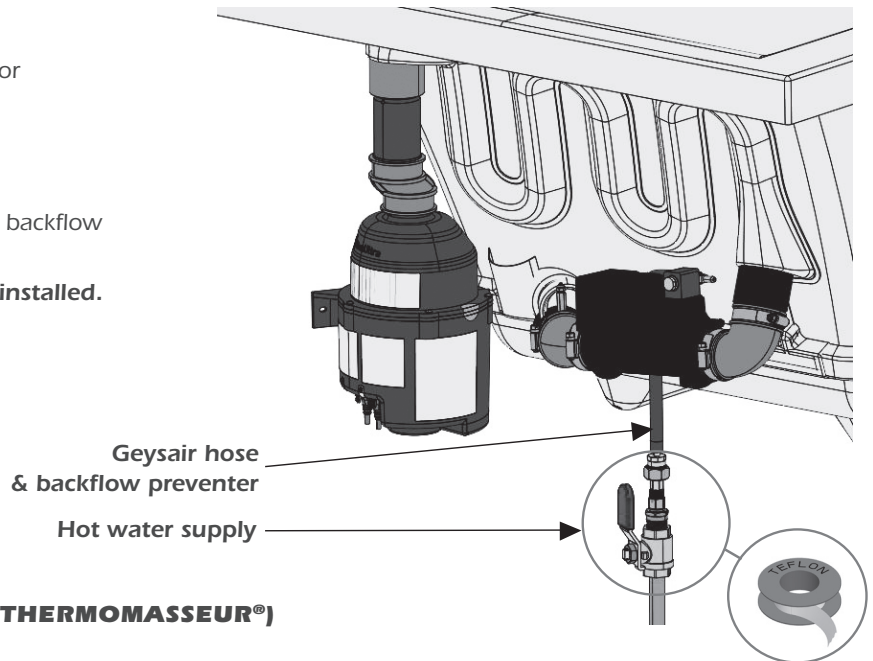
**BATH INSTALLATION
PLUMBING AND ELECTRICAL CONNECTIONS**

GEYSAIR® connection

- Connect the Geysair® hose with a flow regulator to a hot water supply line.

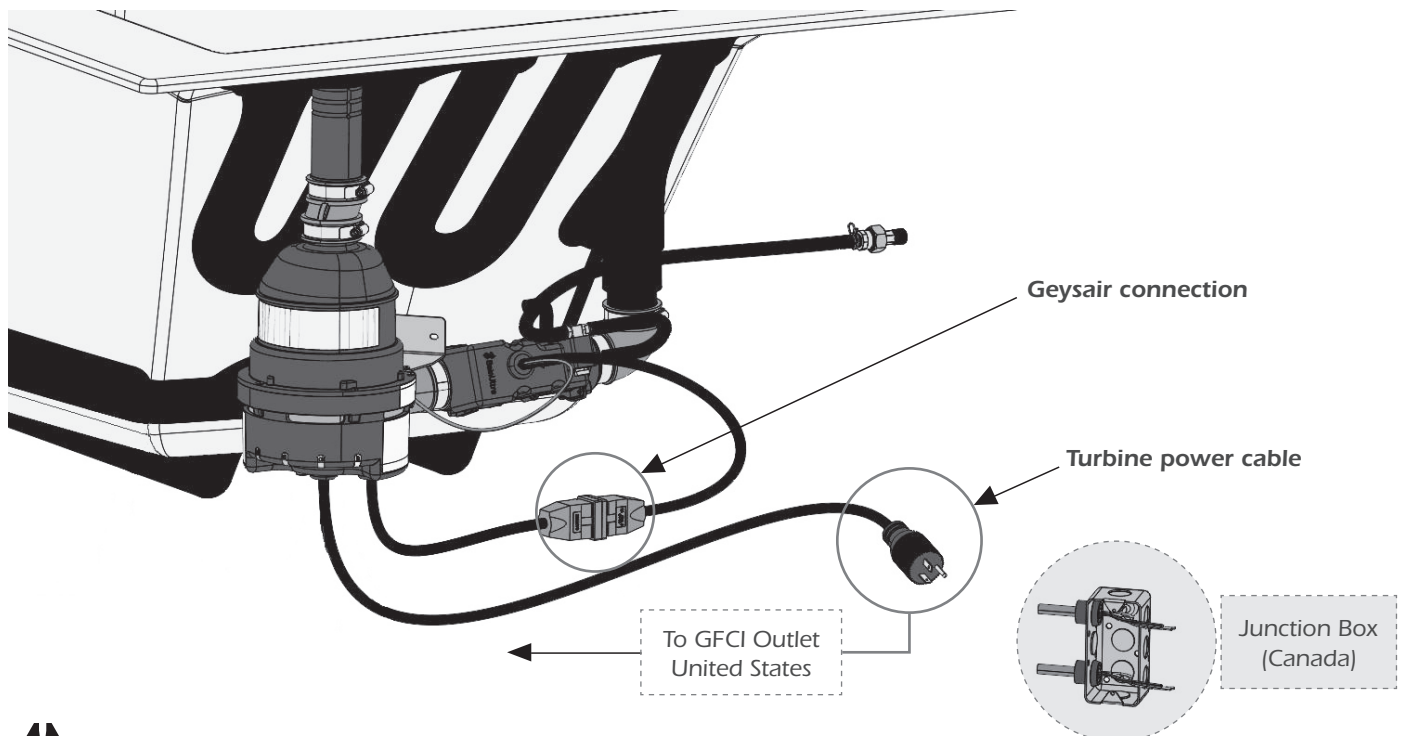
⚠ WARNING

- Provide access for cleaning of the Geysair backflow Preventer filter.
- **The Geysair should never be remotely installed. Never disconnect it.**



TURBINE & GEYSAIR® CONNECTIONS (THERMOMASSEUR®)

- See page 32 for electrical diagram.

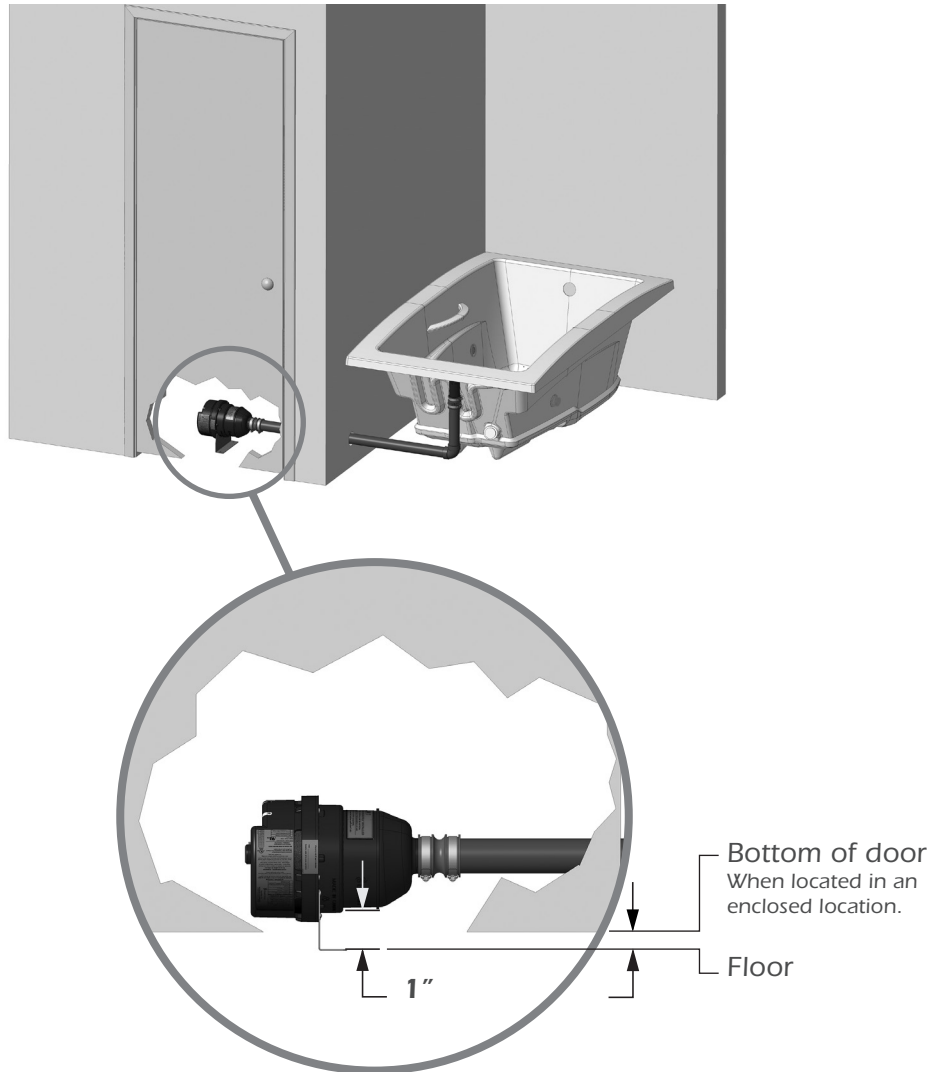


⚠ WARNING

- For Geysair-equipped baths using remote turbine installation (not mounted on the bath), **grounding continuity must be tested** between the bath grounding terminal \perp and the bath power supply. **Failure to perform the grounding continuity test could result in serious personal injury.**

**BATH INSTALLATION
PLUMBING AND ELECTRICAL CONNECTIONS**

REMOTE MOUNTING OF TURBINE



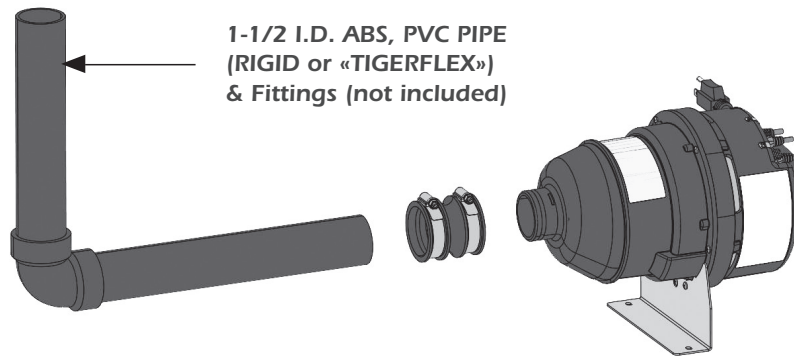
⚠ WARNING

- Choose a location for the turbine with the shortest possible distance from the Thermomasseur® bath, no more than **15 ft. (4,6m)**, and a maximum of six elbow directional changes to ensure system performance. It can be under the floor, in a closet or any other place that can hide the turbine and if needed optional modules. Easy access must remain possible at all time and sufficient air ventilation is necessary for turbine.
- A service access is necessary. Minimum dimensions are 22 in. x 18 in. (55 cm x 46 cm) to properly reach all electrical components of the system.
- An air vent is necessary. Minimum dimensions are: 2 in. x 4 in. (5 cm x 10 cm) to ensure proper functioning of the turbine.
- **Geysair® cannot be remotely installed.**

**BATH INSTALLATION
PLUMBING AND ELECTRICAL CONNECTIONS**

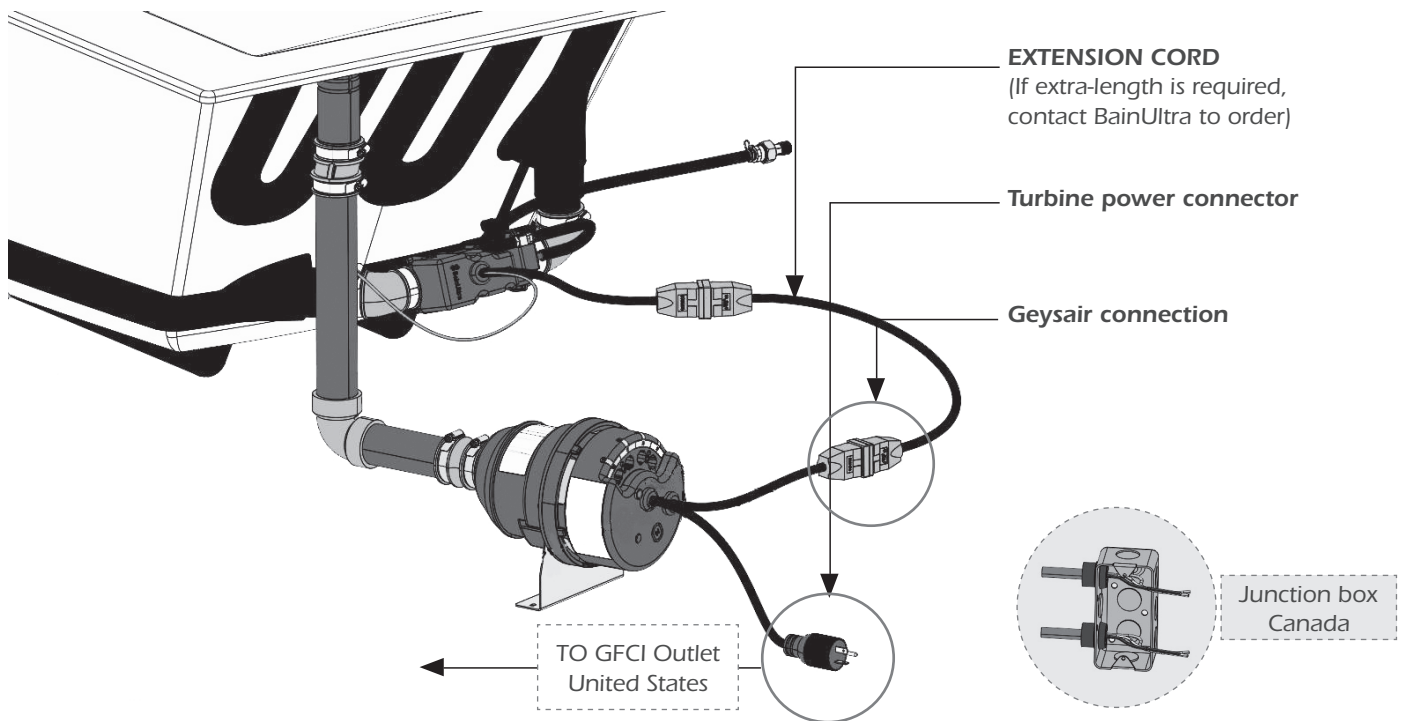
MONARCH - installation

REMOTE MOUNTING OF TURBINE - AIR PIPE (THERMOMASSEUR®)




7 REMOTE MOUNTING OF TURBINE - ELECTRICAL CONNECTIONS (THERMOMASSEUR®)

- See page 32 for electrical diagram



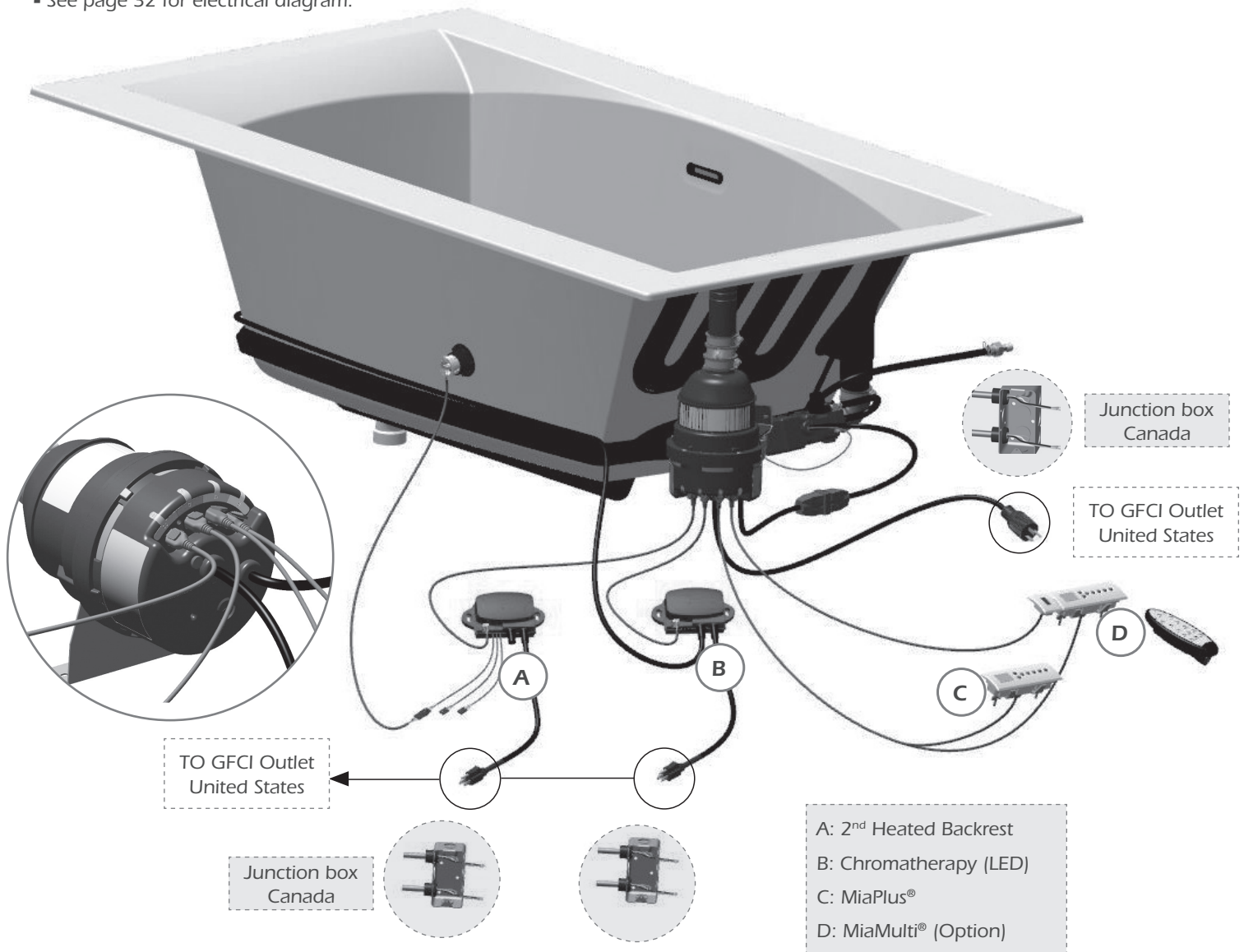
⚠ WARNING

- For Geysair® equipped baths using remote turbine installation (not mounted on the bath), grounding continuity must be tested between the bath grounding terminal  and the bath power supply.
Failure to perform the grounding continuity test could result in serious personal injury.

**BATH INSTALLATION
PLUMBING AND ELECTRICAL CONNECTIONS**

OPTIONAL THERAPIES ELECTRICAL CONNECTIONS - THERMOMASSEUR®

▪ See page 32 for electrical diagram.



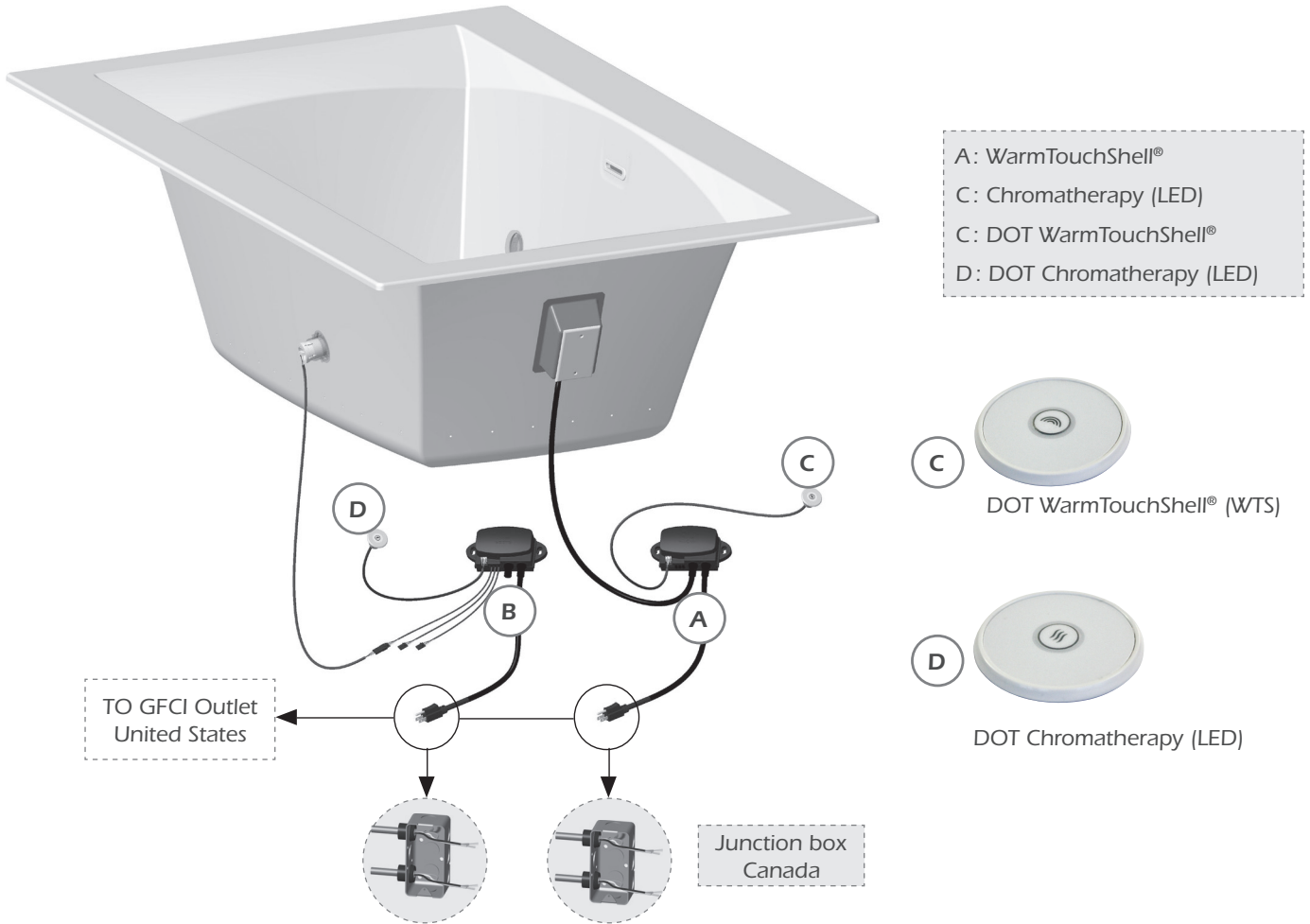
! WARNING

- Electrical outlet must be installed by a certified electrician. Installation must be conducted in accordance with all local, provincial/state, and federal building/electrical codes and regulation.
- Connect electrical supply only after all low voltage wiring is properly installed on turbine.
- If you did not follow this last step, shut off and then restart your home's circuit breaker.
- Turbine and air pipe should be clear of building materials and wiring.

**BATH INSTALLATION
PLUMBING AND ELECTRICAL CONNECTIONS**

OPTIONAL THERAPIES ELECTRICAL CONNECTIONS - TUB (WITHOUT AIR JETS)

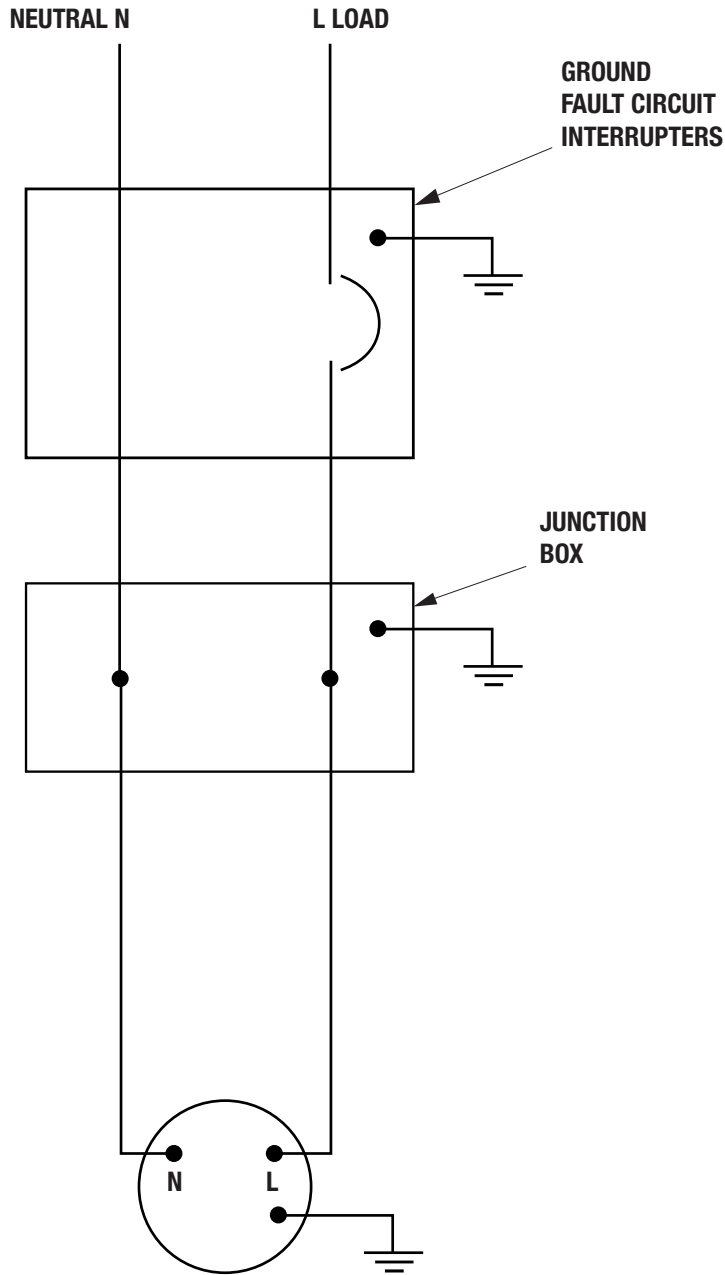
▪ See page 33 for electrical diagram.



**BATH INSTALLATION
PLUMBING AND ELECTRICAL CONNECTIONS**

ELECTRICAL DIAGRAM - THERMOMASSEUR

20A CIRCUIT



**TURBINE WITH GEYSAIR
(FOR MIAPLUS®, MIAMULTI®)**

**BATH INSTALLATION
PLUMBING AND ELECTRICAL CONNECTIONS**

ELECTRICAL DIAGRAM - THERAPIES

15A CIRCUIT

