

APRON STYLE UNDERMOUNT SINKS

Stainless Steel

These instructions are for installing Blanco stainless steel Apron style undermount sinks. If you are installing another type of sink, such as a standard Undermount or Drop-In sink, please refer to instructions specifically for those sinks.

Templates are supplied only as a guide. The physical use of the sink will ensure a more accurate cutout.

These installation instructions are for solid surface countertop materials. For information on installations in granite, marble, stone or butcher block countertops, contact your fabricator. For information on installation in ceramic tile countertops, contact your tile contractor.

Note: It is recommended that all countertops be cut by an approved or certified installer and that the sinks be installed by the installer whenever possible. The countertop/sink unit ideally should be installed as one on the jobsite.

Before installing the sink, inspect it for damage. Do not install a damaged unit.

Remember, it is your responsibility to follow all local plumbing and building codes.

The warranty will be voided if these installation instructions are not followed.

TOOLS AND MATERIALS YOU WILL NEED

Eye protection (safety glasses/goggles) strongly recommended	Tape measure
	Jigsaw or hacksaw and blades
Ear protection strongly recommended	Shims or cabinet fillers
Framing square	Rags
Pencil (not permanent marker)	Denatured alcohol
Silicone adhesive sealant	Wood braces

STEP 1 (Recommended for professional installers only.)

Prepare the sink base cabinet.

Apron style sinks require a special sink base cabinet with a front cutout and a platform built in place to support the sink. (illustration A)

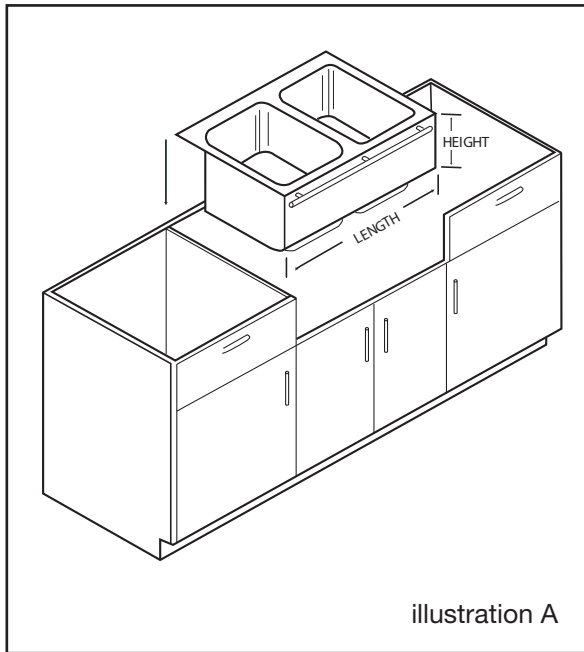


illustration A

Build a plywood platform to support the weight of the sink and attachments. The platform should be attached with braces to the sink cabinet, allowing for the top of the sink to reach the bottom of the countertop material. Be sure to allow space for water line supplies and drain hole/garbage disposal clearance. (illustration B)

Fit the sink to the cabinet opening.

The opening in the front face of the sink base cabinet can be modified to fit on the job site. Be sure to have filler strips on site in case any adjustments need to be made in the depth or width of the sink base cabinet cutout.

Double check measurement of cabinet cutout and make any necessary adjustments by either adding filler strips or sanding the opening.

Blanco stainless steel Apron style undermount sinks are designed so that the apron sits forward approximately 1" out from the face of the cabinet.

Cabinet openings for undermount installation of Blanco Apron style sinks (see diagram):

MODEL	DESCRIPTION	LENGTH x HEIGHT
501-113-AT	Single Bowl with Towel Bar	30" x 10-1/2"
501-113-A	Single Bowl without Towel Bar	30" x 10-1/2"
501-117-A	Double Bowl	32" x 9"

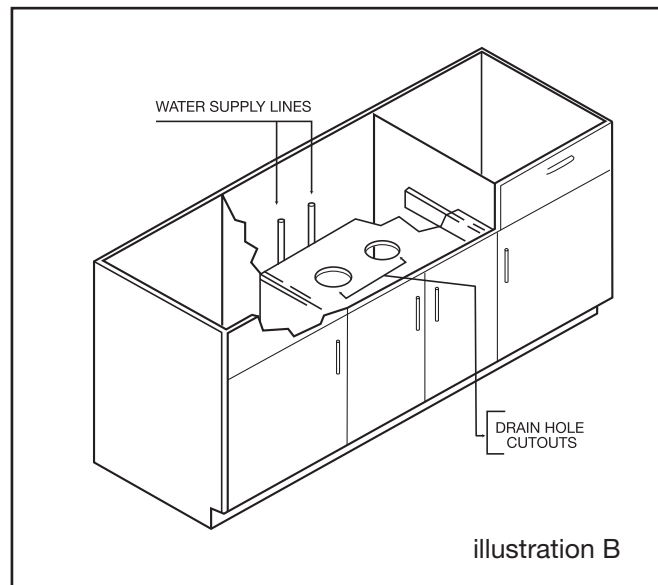


illustration B

STEP 2 (Recommended for professional installers only.)

Make a template and cutouts.

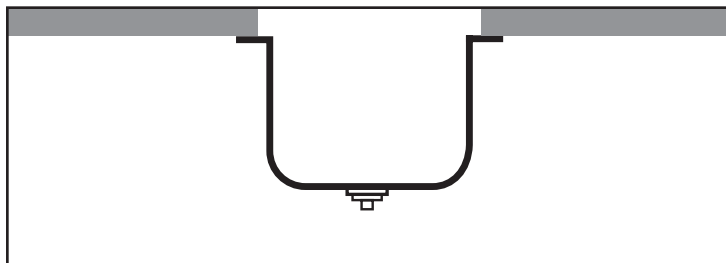
Blanco recommends that our Apron style undermount sinks be installed with a **Positive Reveal**, with the countertop edge sitting approximately 1/8" **back** from the edge of the sink, exposing the sink rim.

Use the sink itself as the template for the cutout on the countertop.

Center the sink, draw around it with a pencil, then make the cutout in the countertop.

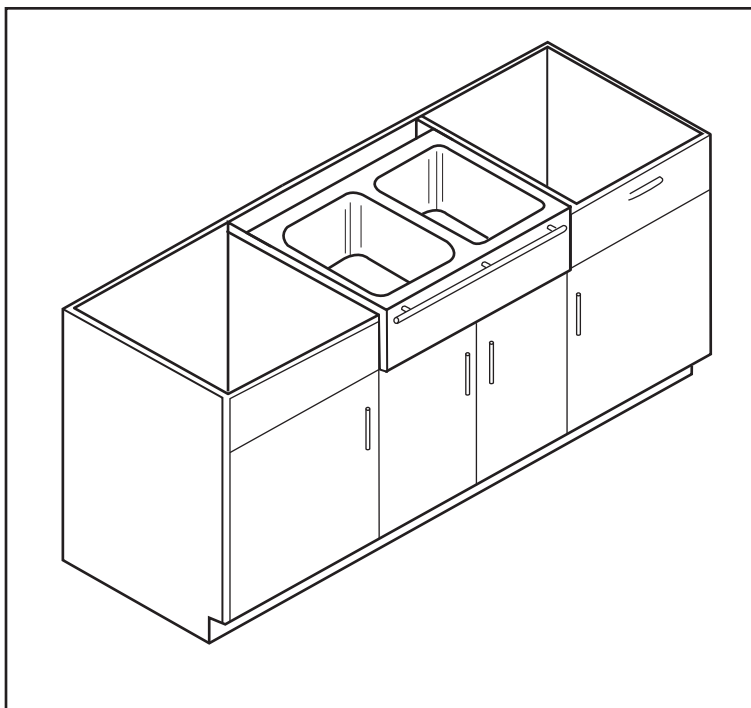
Measure the location for the faucet, and any accessories, make the cutouts and install the faucets and accessories.

Install strainer and/or garbage disposer.

**STEP 3** (Recommended for professional installers only.)

Set the sink.

Set the sink into the cabinet cutout, seal if necessary around the cabinet front.



INSTALLATION INSTRUCTIONS | APRON STYLE UNDERMOUNT SINKS

STEP 4 (Recommended for professional installers only.)

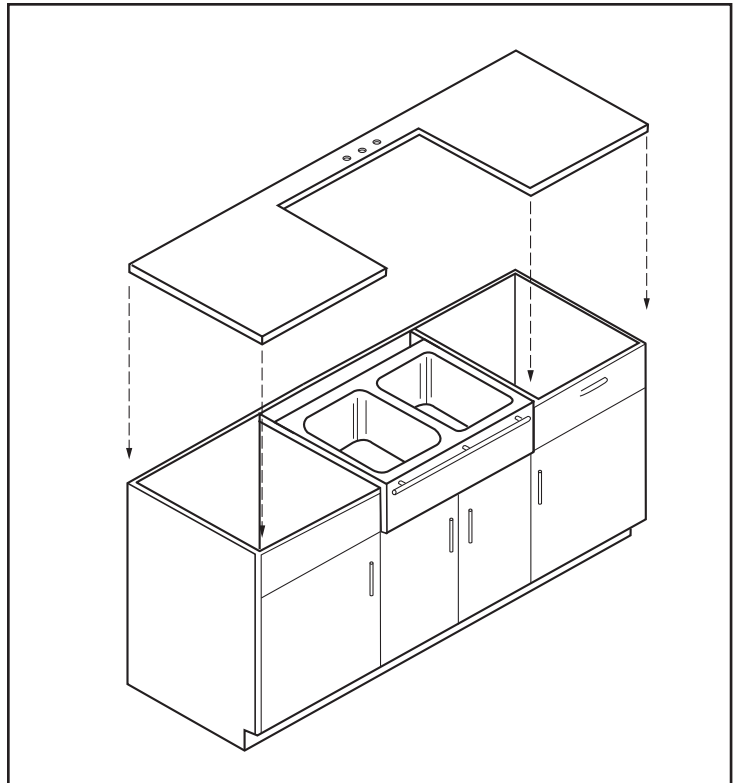
Install the countertop.

Finish the inside of the sink cutout on the top according to the recommendations of the countertop material supplier.

Clean the bottom of the countertop and the top flange (or lip) of the sink with denatured alcohol. Then apply a narrow bead of silicone adhesive sealant to the top edge of the bowl flange.

Place the countertop on the sink.

Remove excess sealant from the inside lip of the bowl using a cleaner recommended by the sealant supplier.



LEGAL DISCLAIMER

All technical data and information provided in this publication is done as a public service to customers of Blanco America, Inc. ("Blanco") and consumers of our products. All names, designs, and model numbers of products are trademarks of Blanco. Prices and specifications of Blanco's products are subject to change without notice or obligation. Blanco may also change or discontinue models of its products without notice or obligation. While Blanco endeavors to provide you with accurate information and descriptions of its products, accuracy and completeness cannot be guaranteed. Blanco is not responsible for, nor does it have any liability for any mistakes or typographical errors, including liability for incidental, consequential, or special damages. All products should be inspected and measured promptly upon delivery and certainly before any improvements or alterations are done in anticipation of or preparation for installation. Blanco assumes no liability for the use of such information or for any damages incurred through its use or application.

Nothing contained in this publication is to be construed as contractual or providing any form of warranty or representation on the part of Blanco. **BLANCO MAKES NO WARRANTIES, EXPRESS OR IMPLIED, INCLUDING BUT NOT LIMITED TO ANY WARRANTY OF MERCHANTABILITY OR OF FITNESS FOR A PARTICULAR PURPOSE, AS TO THE INFORMATION CONTAINED HEREIN OR THE PRODUCTS DESCRIBED HEREIN.**

BLANCO

THE CORNERSTONE OF EVERY GREAT KITCHEN

Stainless Steel Sinks • Silgranit® Sinks • Kitchen Faucets • Bar Sinks & Faucets • Custom Sink Accessories

BLANCO AMERICA, INC.

www.blancoamerica.com

© 2006 Blanco America, Inc. All Rights Reserved.

4/2006 #000000