

BLANCO VINTERA 33 DOUBLE EQUAL APRON



BLANCO
 BLANCO AMERICA, INC.
 110 Mount Holly By-Pass
 Lumberton NJ 08048
 Phone: (800)451-5782
 Fax: (800)213-1963
 www.blancoamerica.com

BLANCO
 BLANCO CANADA INC.
 100 Corporation Drive
 Brampton, ON, L6S 6B5
 Phone: 877-425-2626
 Fax: 877-825-2626
 www.blancocanada.com

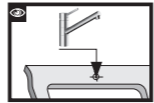




i

USA: www.blanco.com/vinterainstall
 CAN-EN: www.blanco.com/vinterahowto
 CAN-FR: www.blanco.com/vinteratutorial

	B	C	Sink Evier	Distance	A
Example	720 mm 28,346"	+ 19 mm 0,75"	- 165 mm 6,5"	- 4 mm 0,157"	= 570 mm 22,439"
Installation Montage	__ mm	+ __ mm	- 165 mm 6,5"	- __ mm	= __ mm



1

6x 6x 6x 6x

2

*= Protrude countertop / Saillie plan de travail

38,1 mm = *
1,5" = *

165 mm
6,5"

56,1 mm
2,209"

834,2 mm
32,84"

838,2 mm
33"

DXF PDF
www.blanco.com

3

428 mm / 16,85"

409,5 mm
16,12"

38,1 mm = *
1,5" = *

466,1 mm +1 mm
18,35" +0,039"

447,6 mm + 2 mm/-1 mm
17,62" +0,078"/-0,039"

(428 mm + 38,1 mm = *)
(16,85" + 1,5" = *)

(409,5 mm + 38,1 mm = *)
(16,12" + 1,5" = *)

418,616 mm
16,48"

50,8 mm
2"

R 16,5 mm -0,5 mm
R 0,65" -0,019"

R 15 mm
R 0,59"

ø 35 mm +1 mm
ø 1,38" +0,039"

800,231 mm +2 mm/-1 mm
31,505" +0,078"/-0,039"

837,231 mm +1 mm
32,962" +0,039"

63,5 mm
2,5"

R 12,7 mm
R 0,5"

*= Protrude countertop / Saillie plan de travail

4

837,231 mm +1 mm
32,962" +0,039"

1,5 mm
0,059"

800,231 mm
+2 mm/-1 mm

31,505" +0,078"/-0,039"

11 mm +0,5 mm
0,43" +0,039"

5

30 mm
1,18"

40 mm
1,57"

6

Alcohol

7

Alcohol

8

9

10

11

PZ 2

12

13

14

15

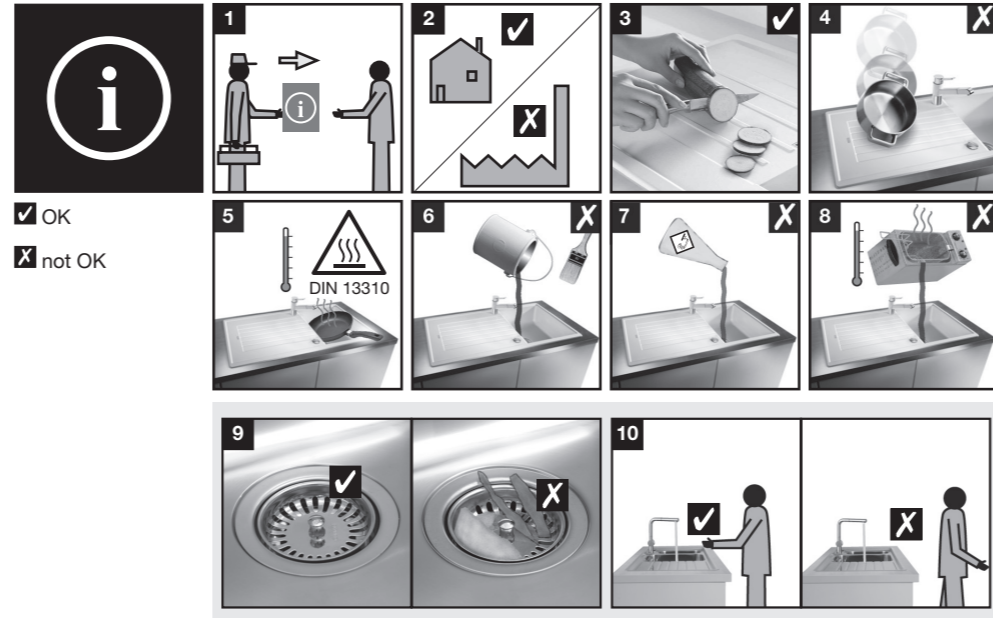
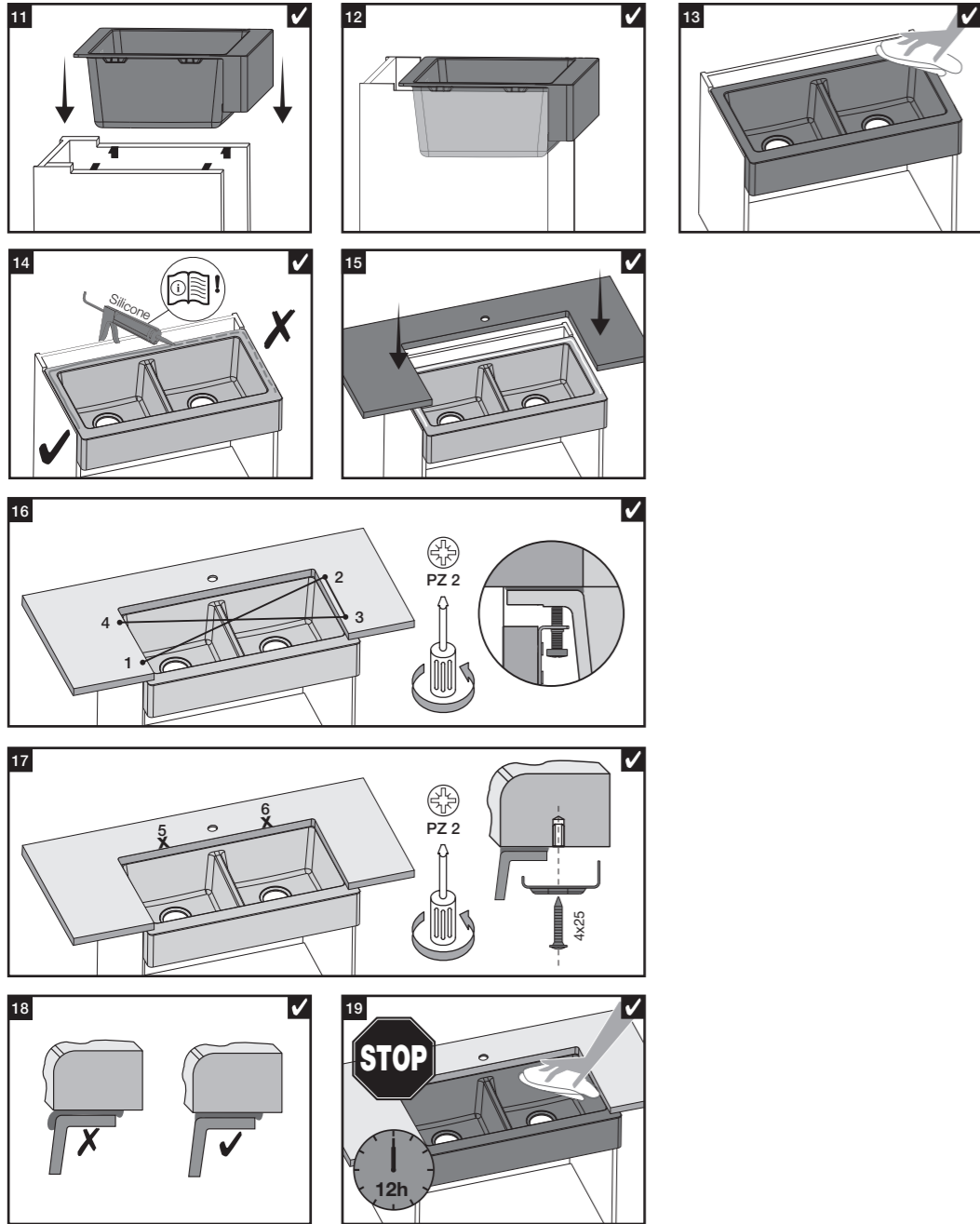
5 mm
0,2"

16

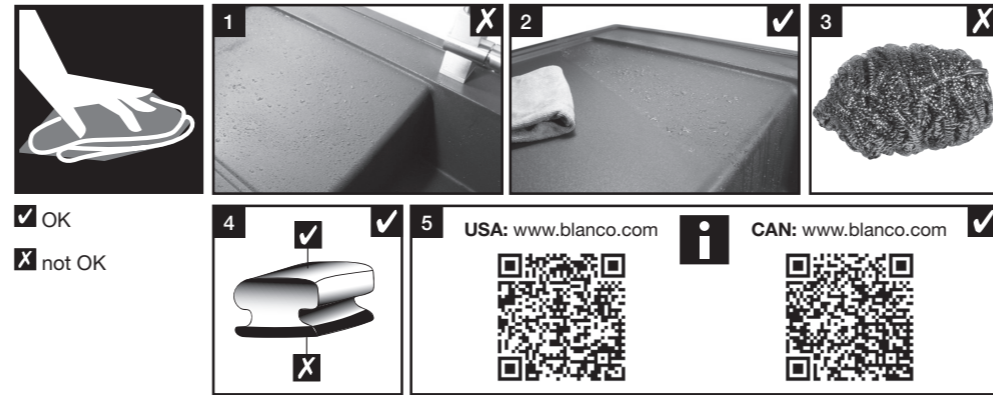
PZ 2

17

BLANCO



✓ OK
✗ not OK



✓ OK
✗ not OK

BLANCO VINTERA 33 DOUBLE EQUAL APRON



BLANCO
BLANCO AMERICA, INC.
110 Mount Holly By-Pass
Lumberton NJ 08048
Phone: (800)451-5782
Fax: (800)213-1963
www.blancoamerica.com

BLANCO
BLANCO CANADA INC.
100 Corporation Drive
Brampton, ON, L6S 6B5
Phone: 877-425-2626
Fax: 877-825-2626
www.blancocanada.com

240 353 04/2021



i

USA: www.blanco.com/vinterainstall
 CAN-EN: www.blanco.com/vinterahowto
 CAN-FR: www.blanco.com/vinteratutorial

	B	Sink Evier	Distance	A
Example	720 mm 28,346"	165 mm 6,5"	4 mm 0,157"	551 mm 21,689"
Installation Montage	__ mm "	165 mm 6,5"	__ mm "	__ mm "

1

4x 32x16x25
 8x 3,5x15
 4x M5x25

2x 40x14x22
 2x 5x12
 2x 4x25

2

*= Protrude countertop / Saillie plan de travail

38,1 mm = *
 1,5" = *

165 mm
 6,5"

56,1 mm
 2,209"

834,2 mm
 32,84"

838,2 mm
 33"

2 mm
 0,078"

DXF
 PDF

www.blanco.com

3

387,675 mm
 15,263"

38,1 mm = *
 1,5" = *

13 mm
 0,5"

50 mm / 2"

180 mm ± 2 mm
 7,09" ± 0,078"

180 mm ± 2 mm
 7,09" ± 0,078"

69,85 mm
 2,75"

425,775 mm + 2 mm/-1 mm
 16,763" +0,078"/-0,039"

987,675 mm + 38,1 mm = *
 (15,263" + 1,5" = *)

Ø 35 mm +1 mm
 Ø 1,38" +0,039"

R 23,175 mm
 0,91"

378,291 mm
 14,89"

756,581 mm + 2 mm/-1 mm
 29,787" +0,078"/-0,039"

*= Protrude countertop / Saillie plan de travail

33" Cabinet size

4 5 6

4

457 mm
 18"

16 mm
 0,63"

5

0 mm
 0"

30 mm
 1,18"

380 mm
 14,96"

3,5x15
 PZ 2

6

10 mm
 0,39"

M5x25
 PZ 2

36" Cabinet size

7 8 9 10

7

8

457 mm
 18"

16 mm
 0,63"

6x 1.5 x 3.5"
 wood piece / morceau de bois

9

0 mm
 0"

380 mm
 14,96"

30 mm
 1,18"

3,5x15
 PZ 2

10

10 mm
 0,39"

M5x25
 PZ 2