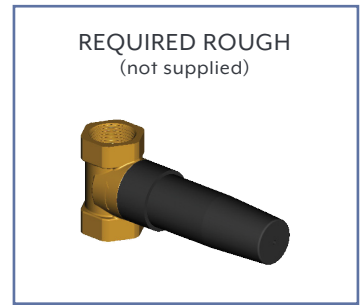


# PENTA PE446

## Stainless Steel Volume Control

PE446-SSM	Stainless Steel Matte
PE446-SSP	Stainless Steel Polished
PE446-SSMB	Stainless Steel Matte Black PVD
PE446-SSMG	Stainless Steel Matte Gold PVD
PE446-SSMRG	Stainless Steel Matte Rose Gold PVD*
PE446-SSMT	Stainless Steel Matte Titanium PVD*



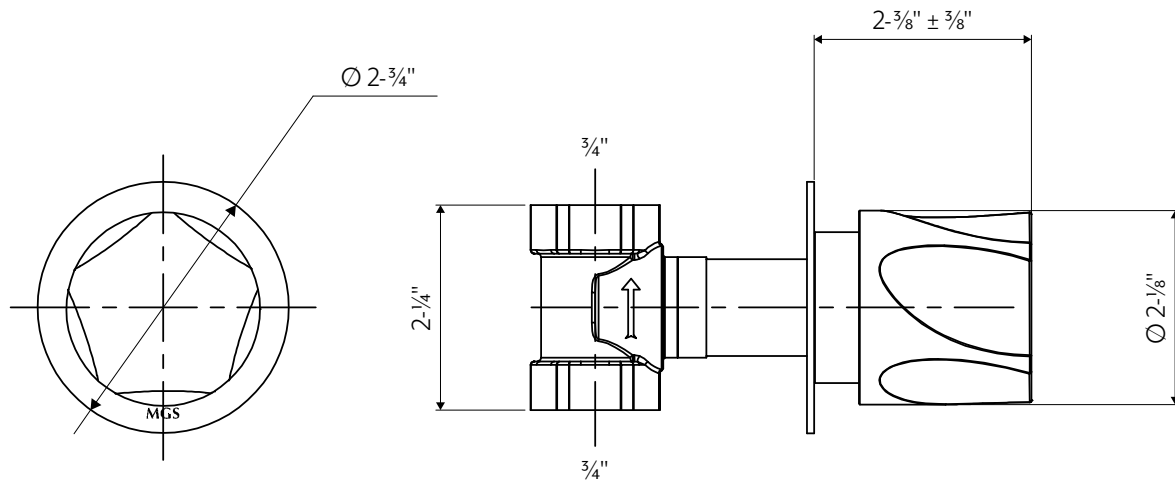
- Volume control to be installed with PE444N thermostatic valve
- 3/4" NPT inlets and outlets
- Marine Grade 316L machined stainless steel construction
- Flow rate is 11.9 GPM at 45 PSI
- IAPMO (cUPC) listed
- ADA compliant
- Fully recyclable
- 100% lead free
- Areas of application: Indoor & outdoor

### COMPATIBLE WITH (not supplied)

- PE444N thermostatic valve
- SV9KPM.228 1-3/8" Valves extension kit

### REQUIRED (not supplied)

- SV9INC-229-US Rough-in unit produced from Brass; universal for all finishes



\* Available by special order only.  
Please allow 14-16 weeks lead-time.

393 Fortune Blvd, Milford, MA 01757 USA  
1.844.992.8371

[fortebrands.com](http://fortebrands.com)



Exclusively distributed in North America by Forte Brands.