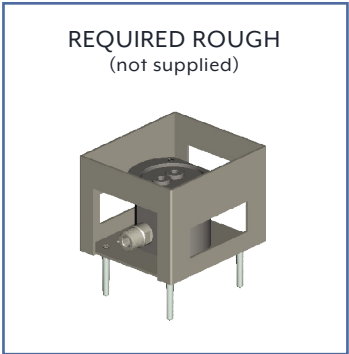


MINIMAL MB519

Stainless Steel Floor-mount Thermostatic Tub Filler with Handshower

MB519-SSM	Stainless Steel Matte
MB519-SSP	Stainless Steel Polished
MB519-SSMB	Stainless Steel Matte Black PVD
MB519-SSMG	Stainless Steel Matte Gold PVD
MB519-SSMRG	Stainless Steel Matte Rose Gold PVD*
MB519-SSMT	Stainless Steel Matte Titanium PVD*



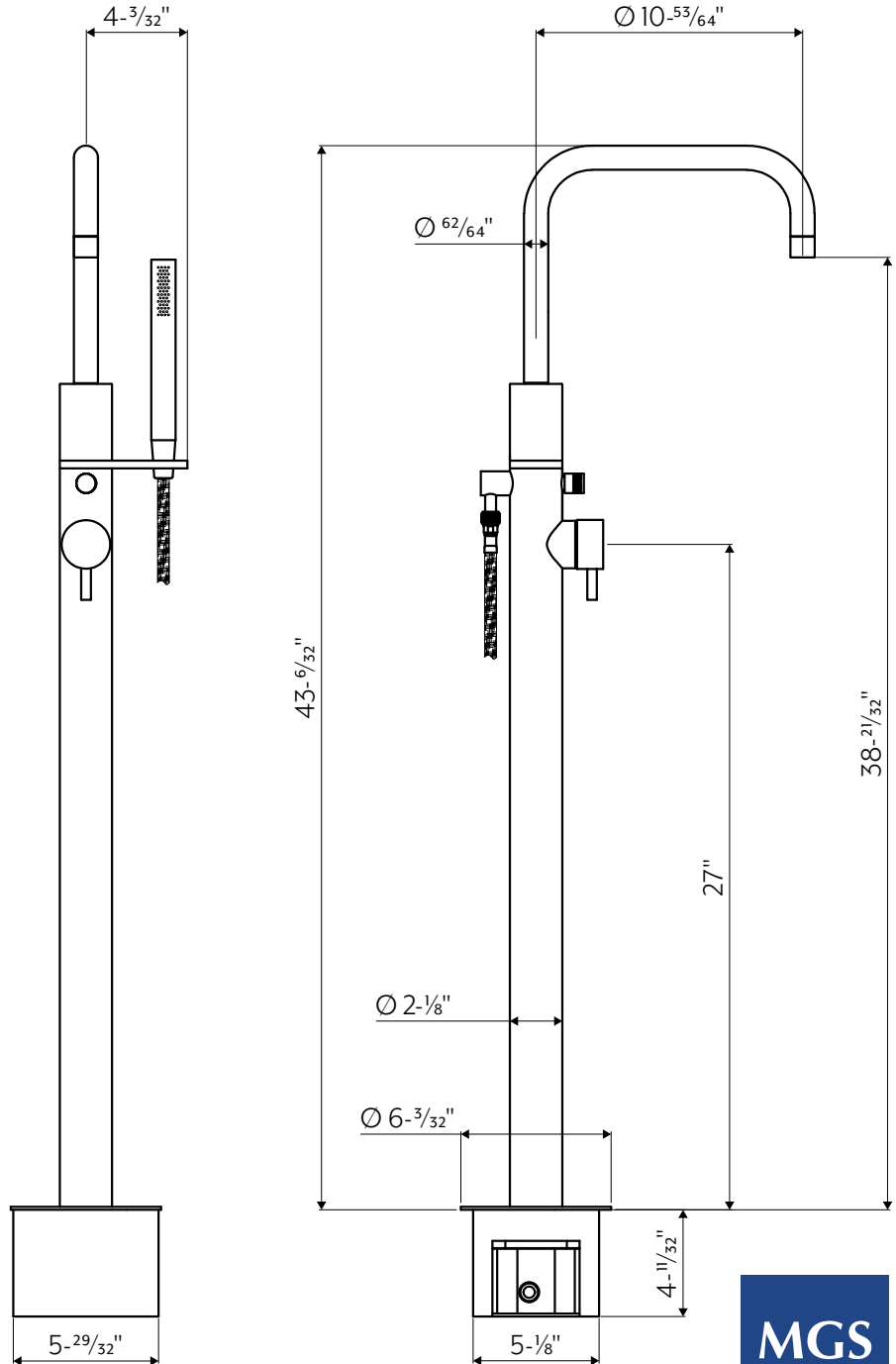
- Marine Grade 316L machined stainless steel construction
- High volume cartridge
- Spout rotates 360°
- Minimum install hole 5-7/8" x 5-1/8"
- Maximum flow rate of 1.5 GPM reached at 45 PSI l
- IAPMO (cUPC) listed
- ADA compliant
- Fully recyclable
- 100% lead free
- Areas of application: Indoor & outdoor

COMPATIBLE WITH (not supplied)

- SV9KPR.254 Resin floor kit

REQUIRED (not supplied)

- X39-1022-US Marine Grade Stainless Steel rough; universal for all finishes



* Available by special order only.
Please allow 14-16 weeks lead-time.
393 Fortune Blvd, Milford, MA 01757 USA
1.844.992.8371

fortebrands.com



Exclusively distributed in North America by Forte Brands.