

MINIMAL MB449N

Stainless Steel Thermostatic Valve with 3-way Diverter

| | |
|--------------|--------------------------------------|
| MB449N-SSM | Stainless Steel Matte |
| MB449N-SSP | Stainless Steel Polished |
| MB449N-SSMB | Stainless Steel Matte Black PVD |
| MB449N-SSMG | Stainless Steel Matte Gold PVD |
| MB449N-SSMRG | Stainless Steel Matte Rose Gold PVD* |
| MB449N-SSMT | Stainless Steel Matte Titanium PVD* |

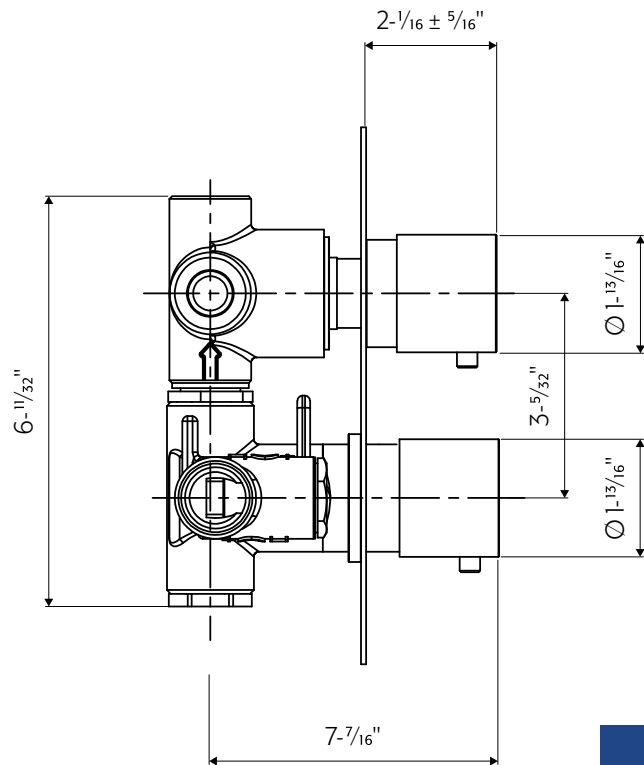
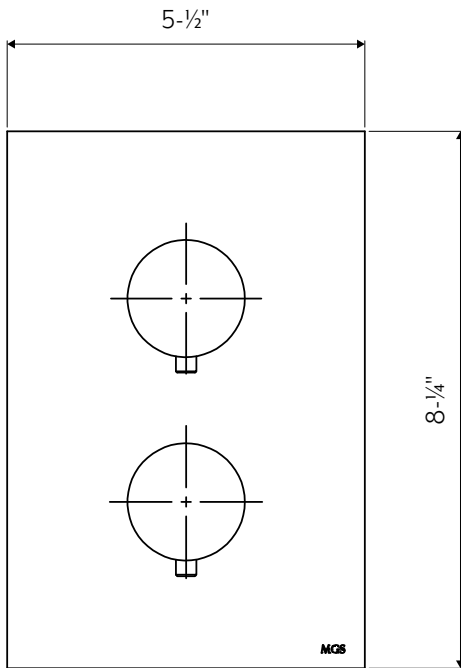
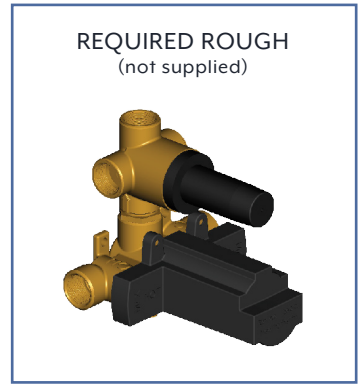
- Marine Grade 316L machined stainless steel construction
- 3/4" NPT inlets and outlets
- Flow rate is 8.7 GPM at 45 PSI
- Diverter is non-shared, allowing one function to operate at a time
- IAPMO (cUPC) listed
- ADA compliant
- Fully recyclable
- 100% lead free
- Areas of application: Indoor & outdoor

COMPATIBLE WITH (not supplied)

- SV9KPM.233 1-3/8" Valves extension kit

REQUIRED (not supplied)

- SV9INC-275-US Marine Grade Stainless Steel rough; universal for all finishes



* Available by special order only.
 Please allow 14-16 weeks lead-time.
 393 Fortune Blvd, Milford, MA 01757 USA
 1.844.992.8371

fortebrands.com



Exclusively distributed in North America by Forte Brands.