

MINIMAL MB446N

Stainless Steel Volume Control

MB446N-SSM	Stainless Steel Matte
MB446N-SSP	Stainless Steel Polished
MB446N-SSMB	Stainless Steel Matte Black PVD
MB446N-SSMG	Stainless Steel Matte Gold PVD
MB446N-SSMRG	Stainless Steel Matte Rose Gold PVD*
MB446N-SSMT	Stainless Steel Matte Titanium PVD*



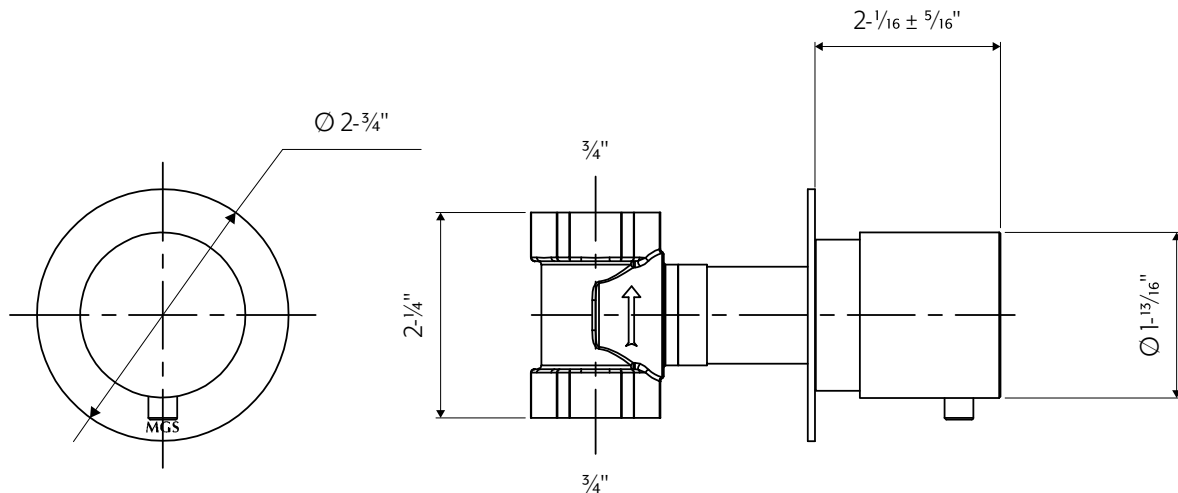
- Volume control to be installed with MB444N thermostatic mixer
- 3/4" NPT inlets and outlets
- Marine Grade 316L machined stainless steel construction
- Flow rate is 11.9 GPM at 45 PSI
- IAPMO (cUPC) listed
- ADA compliant
- Fully recyclable
- 100% lead free
- Areas of application: Indoor & outdoor

COMPATIBLE WITH (not supplied)

- SV9KPM.228 1-3/8" Valves extension kit

REQUIRED (not supplied)

- SV9INC-229-US Rough-in unit produced from Brass; universal for all finishes



* Available by special order only.
Please allow 14-16 weeks lead-time.

393 Fortune Blvd, Milford, MA 01757 USA
1.844.992.8371

fortebrands.com



Exclusively distributed in North America by Forte Brands.