

MINIMAL MB295T

Short Two-hole Stainless Steel Wall-mount Basin Faucet



MB295T-SSM	Stainless Steel Matte*
MB295T-SSP	Stainless Steel Polished*
MB295T-SSMB	Stainless Steel Matte Black PVD*
MB295T-SSMGL	Stainless Steel Matte Gilded PVD*
MB295T-SSMBR	Stainless Steel Matte Bronze PVD*
MB295T-SSMT	Stainless Steel Matte Titanium PVD*

- Wall-mount stainless steel basin faucet with mixer either on the left or right.
- Marine Grade 316L machined stainless steel construction
- Elegantly curved spout with concealed aerator paired with a 1-1/2" diameter, perfectly proportioned mixer
- The optional rectangular plate can be ordered separately see **INDEX** (code changes depending the finish)
- Concealed Aerator
- Flow rate is 1.2 GPM at 60 PSI
- IAPMO (cUPC) listed
- ADA compliant
- CalGreen compliant
- Fully recyclable
- 100% lead free
- Areas of application: Indoor & outdoor

OPTIONAL PLATE (not supplied)

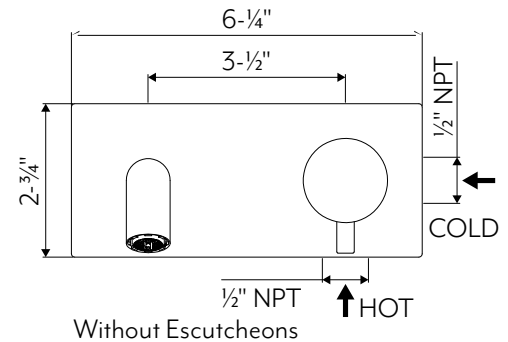
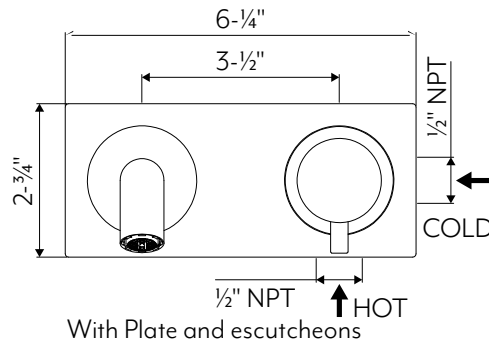
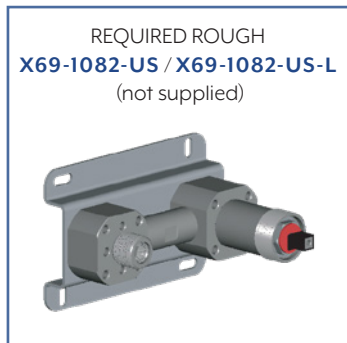
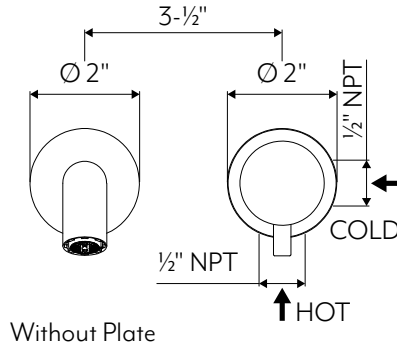
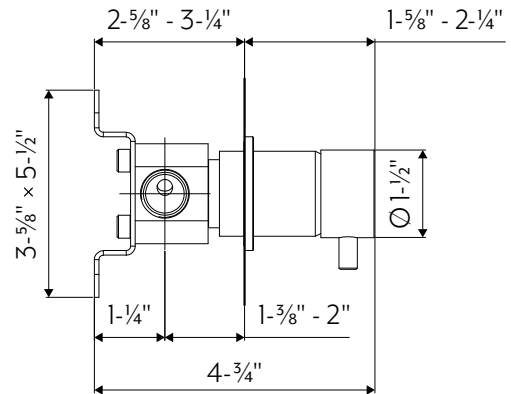
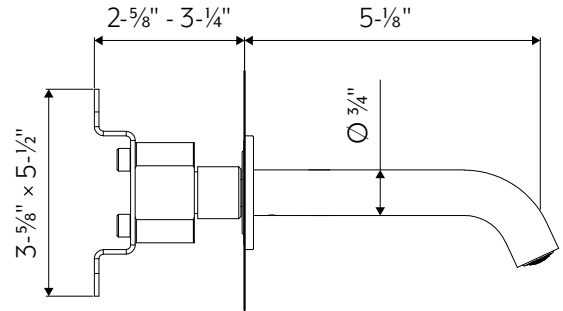
- The optional rectangular plate can be ordered separately. See **INDEX** for finish order codes and prices.

COMPATIBLE WITH (not supplied)

- SV9KPI-357-US 5/8" extension kit
- AC990 Stainless Steel Universal Push Drain

REQUIRED (not supplied)

- X69-1082-US Marine Grade Stainless Steel rough for mixer on right, universal for all finishes
- or
- X69-1082-US-L Marine Grade Stainless Steel rough for mixer on left, universal for all finishes



* Available by special order only. Please allow 14-16 weeks lead-time.