



MB704 – PE704

Stainless Steel 3 Way Diverter Trim Parts

Installation Maintenance & Care





Dear Customer,

We thank you for choosing our product.

MGS Solid Stainless Steel faucets are manufactured in Italy by expert artisans. The product has been assembled, inspected and packaged with maximum attention and care.

The Matte and Polished finishes are obtained by hand polishing: a skilled touch to enhance the natural beauty of this noble metal.

All products are therefore alike, but not identical:
a synonym of exclusivity.

We use high grade AISI316L marine stainless steel that does not require any protective finish to be applied to the surface. Following the simple care instructions will allow you to keep your MGS faucet beautiful for a lifetime.

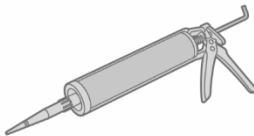
INSTALLATION WARNING

1. Observe all local plumbing codes.
2. Inspect water supplies for signs of damage. Replace if necessary.
3. Flush through the supply pipes.

Tools



#2 mm Allen Key



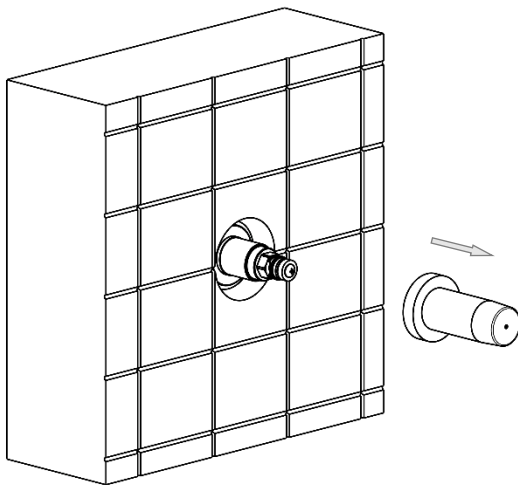
Silicone

Technical data

Operating Pressure:	max 145 PSI (10 bar)
Recommended operating pressure:	14 to 60 PSI (1 - 4 bar)
Maximum hot water temperature:	185 °F (85°C)
Recommended hot water temperature:	149 °F (65°C)

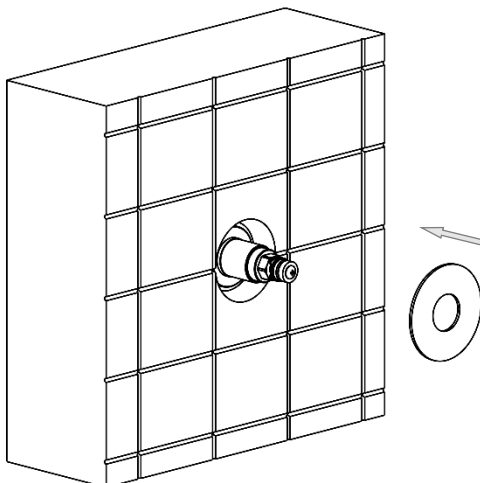
TRIM ASSEMBLY

Remove protection cover from Rough in valve



Fixing trim plate

Allow the Silicone of thermostatic trim ring to set.
Apply some Silicone on the trim plate and place it in position.



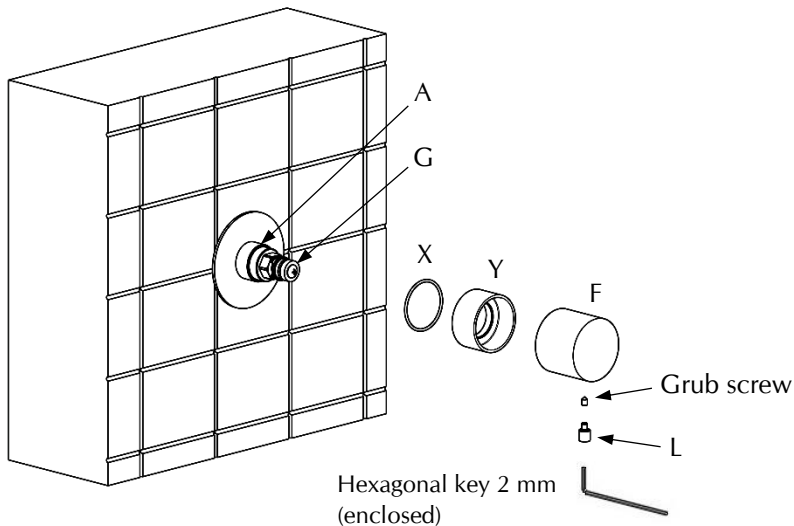
TRIM PARTS (guidelines valid for all models)

Fixing trim rings

Check that O-ring gaskets **X** are seated into trim rings **Y**. Fully screw rings **Y** onto shafts **A**.

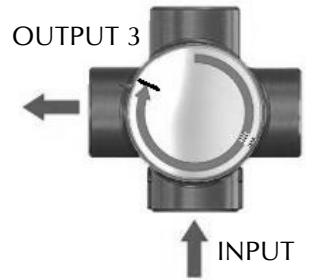
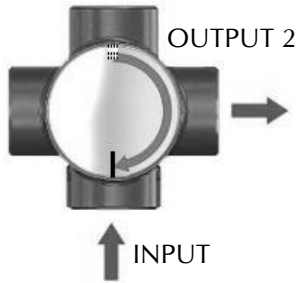
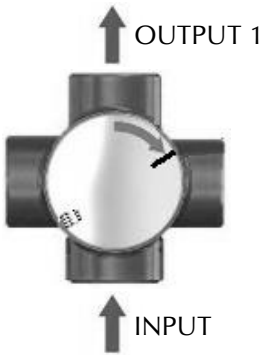
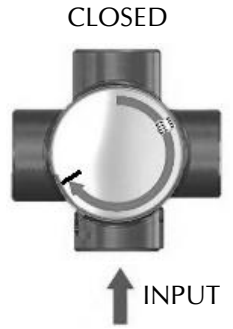
Fixing diverter handle

Check that diverter is in the closed position. Fit handle **F** onto shaft insert **G** so that grub screw hole is on the bottom. Tighten grub screw with hexagonal key 2 mm (enclosed) and fully screw lever **L** (only for MB serie). Check that the handle can turn.



FUNCTIONAL SCHEMES

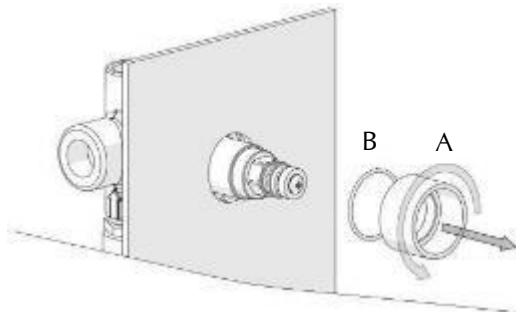
3 WAY DIVERTER



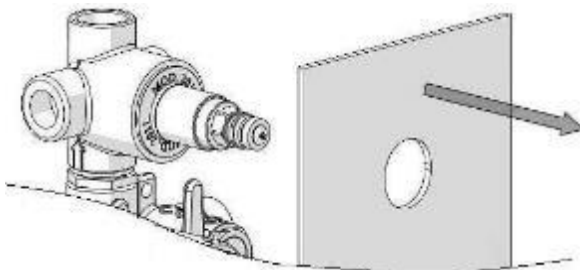
MAINTENANCE

Replacing diverter cartridge

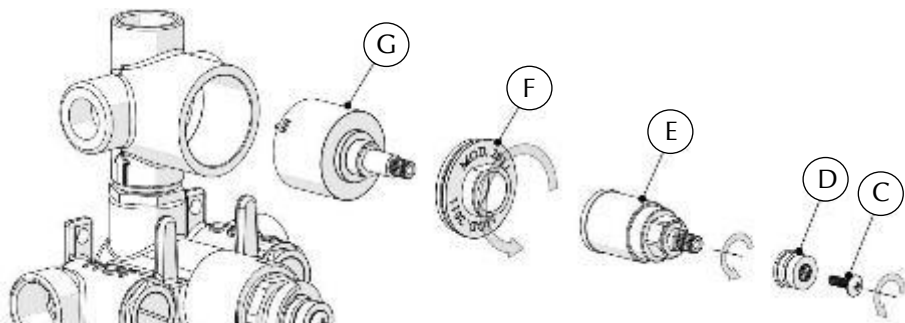
- 1) Close water mains.
- 2) Unscrew counterclockwise trim rings **A** (1 or 2 depending on the model) taking care of not damaging the O-ring gaskets **B**.



- 3) Remove trim plate.



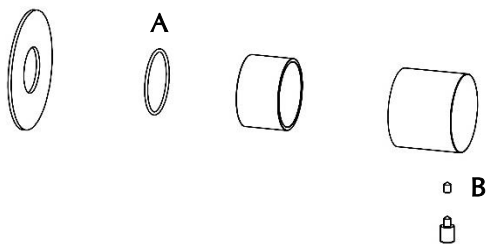
- 4) Remove screw **C**, shaft insert **D** and shaft **E**.
Unscrew the ring nut **F** with a 17 mm wrench and remove the diverter valve **G**.



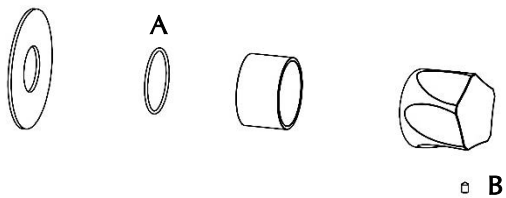
- 5) Before replacing the diverter, clean and lubricate its seating.
- 6) Assemble diverter and all components after positioning correctly the 2 pins at its base.

SPARE PARTS

MB704



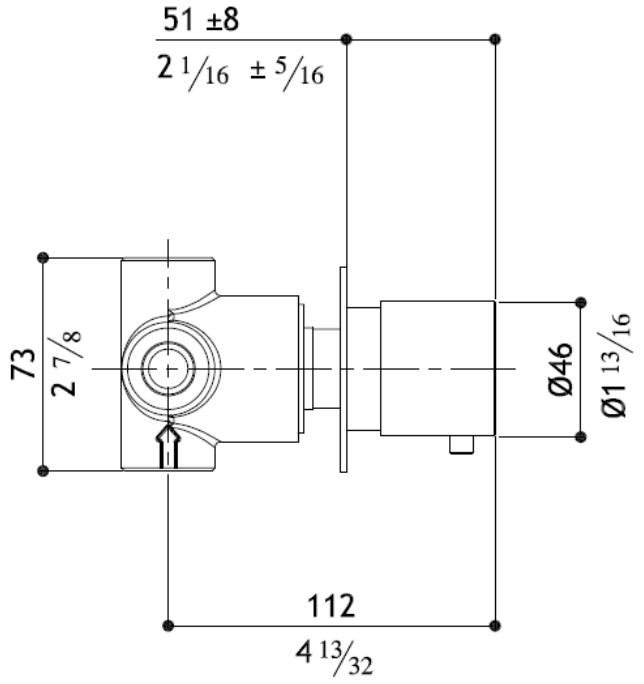
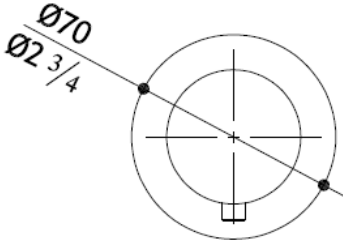
PE704



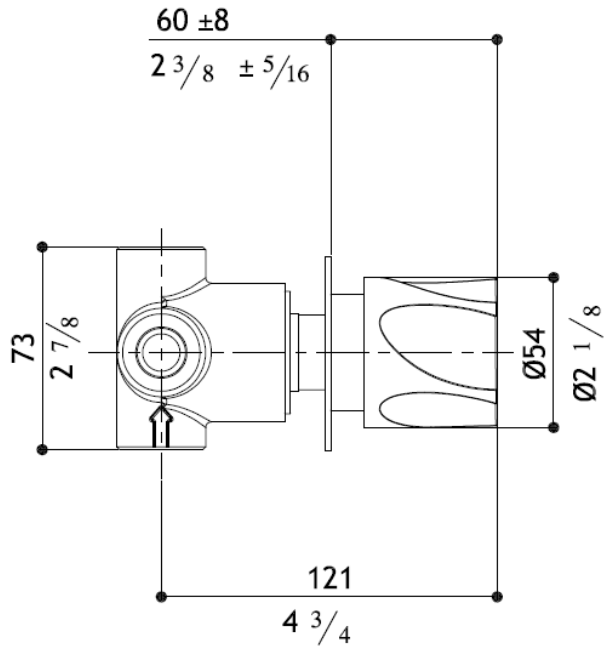
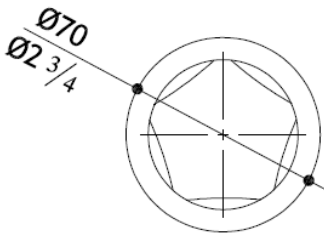
A = O.052

B = A.128

MB704



PE704



CARE & MAINTENANCE

Matte and Polished Stainless steel

In order to preserve the finish of your product, we recommend regular cleaning with a soft wet cloth. For regular cleaning it is not necessary to use detergents. In case of need, we recommend the use of a mild detergent or even better, a specific stainless steel detergent. In this case, please follow the specific instructions of the detergent manufacturer. When using a detergent rinse well with water immediately after cleaning, until all detergent is removed from the surface. Dry with a soft cloth.

PVD finishes (Black Steel / Titanium / Rose Gold / Gold)

PVD technology is used to create a smooth, resistant and long lasting finish. A soft wet cloth is sufficient for daily cleaning.

For resistant stains and fingerprints we recommend the use of a diluted mild soap and water solution to be applied using a soft cloth. Rinse thoroughly after cleaning. In order to avoid water stains we recommend to dry the surface with a soft cloth.

As it is not a coating but the result of a chemical reaction, a characteristic of PVD is that objects of different shapes and dimensions can absorb color differently, resulting in slight color variations. These are not to be considered defects.

All finishes:

DO NOT use bleach, caustic, ammonia or acid based cleaning materials or detergents containing chloride, or any other strong household cleaning products, even if organic. Even vapors of such products could damage the chemical balance of the stainless steel surface. When using strong chemical products in the room, we recommend to air it out. DO NOT use abrasive materials, cleaning pads, scouring sponges, files or other hard objects.

DO NOT use oily rags or greasy cloths when wiping the product surface.

Cleaning the aerator

Depending on the hardness and quality of water in your household, the aerator may become clogged. We recommend to clean the aerator the first time a few days after the installation, then every six to twelve months depending on the water quality.

To clean the aerator proceed by thoroughly rinsing it under running water until all debris is removed. In case of persistent limescale or debris, we recommend to immerse the aerator for several hours in a water and vinegar solution, or in anti-limescale solution.

Outdoor installation

Marine grade stainless steel is ideal for outdoor installation and it is extremely resistant to oxidation. Nevertheless, it is not oxidation proof or stain proof.

In order to maintain the long lasting beauty of the stainless steel surface it is necessary to regularly clean it. This is particularly important in marine environment where saline deposits over time will affect the surface and cause oxidation. In such conditions the surface must be cleaned more frequently in order to be preserved.

WARRANTY

MGS products installed in a residential indoor application are covered by a limited 5 year functional and finish warranty from purchasing date. During this period, parts with construction defects in material or workmanship will be replaced free of charge. This warranty is subject to the warranty conditions and limitations as set forth below. This warranty will not cover faults caused by unsuitable or improper use, incorrect installation, natural wear, improper or careless treatment, incorrect usage of cleaning or maintenance products.

MGS will not assume liability for labor expended, freight cost or damages accruing from the use of the material purchased from us. If material is defective, MGS will either supply the replacement part or it will reimburse the price of the defective material. Proof of purchase (original sales receipt) from the original consumer purchaser must be made available to MGS for all warranty claims. The warranty is not transferrable and is extended solely to the original purchaser of the product.

MGS products installed outdoor and/or for commercial applications are covered by a 2 year functional and finish warranty from purchasing date. This warranty applies to MGS faucets installed in USA or Canada.

 WARNING: Cancer and Reproductive Harm — www.P65Warnings.ca.gov

MGS Progetti srl

Dps t p! Nj mb op - ! 2 9 : ! ! 3 9 9 9 4 ! Hs b wf mmp ob ! U
x x x / n h t u b q n t b / j d n p n ! ! j o ! g F p A n h t u b q t / d p n ! ! U f m / ! , 4 : ! 1 4