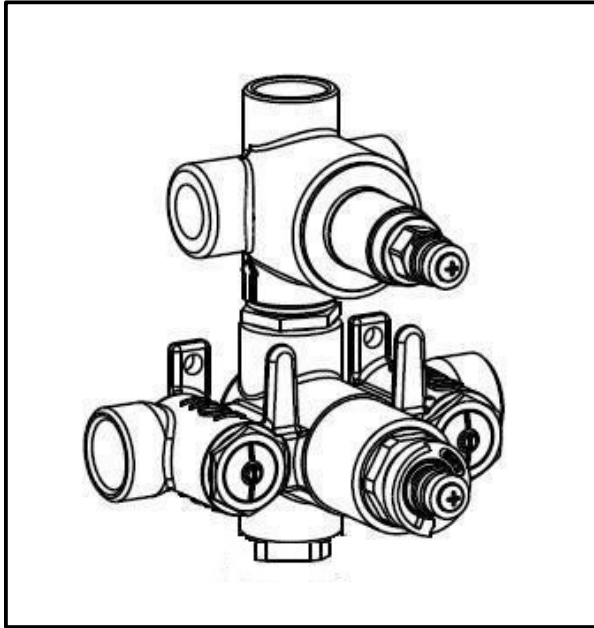
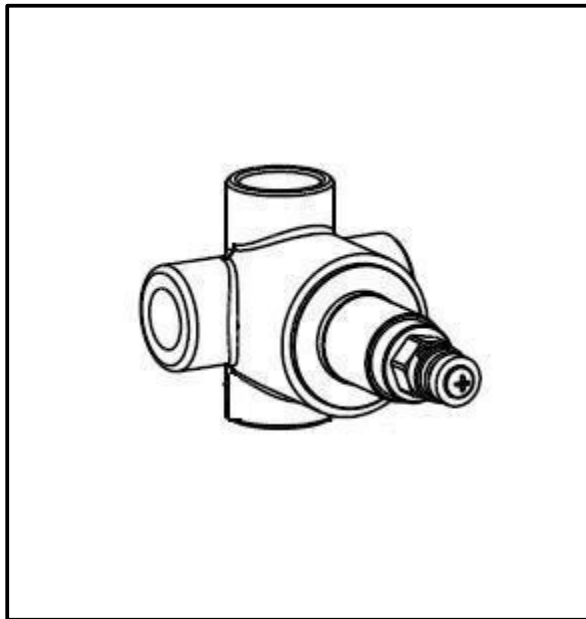


ROUGH IN VALVES

Installation Manual



MB449 - SV9INC.275 US



DE704 - SV9INC.276 US

GENERAL FEATURES

This mixer is suitable for all water heating systems provided it is installed correctly by a competent and qualified installer.

OPERATING SPECIFICATIONS

Hot water supply temperature:

Maximum: 85°C (185° F)

Recommended: 65°C (149° F)

Minimum: 5°C (41° F)

Minimum difference between hot and mixed temperature 10°C (50° F)

The temperature of the inlet hot water must be higher than the maximum mixed water temperature required from the outlet.

Working pressures

Maximum: 10 bar (145 psi)

Minimum: 0,1 bar (1,5 psi)

Hot and cold operating pressures should be kept as balanced as possible in order to maintain maximum efficiency.

When the supply pressure is higher than 5 bar (72 psi) a pressure reducing valve
Keep a gap in the wall between Ø125 and Ø130 mm (Ø4 7/8" and Ø5 1/8") for allowing removal of protection cover and for future maintenance access.

TECHNICAL DATA

The mixer is supplied with covers for the installation at a depth from 51 to 67 mm from (2" to 2+5/8") the centre of the mains tube to the finished wall.

The temperature control knob is pre-set from the manufacturer at 38°C (100° F) with stop at 44°C +/-2°C. (111° F +/- 36° F)

The mixer ports are supplied with a female thread G 3/4" or NPT 3/4".

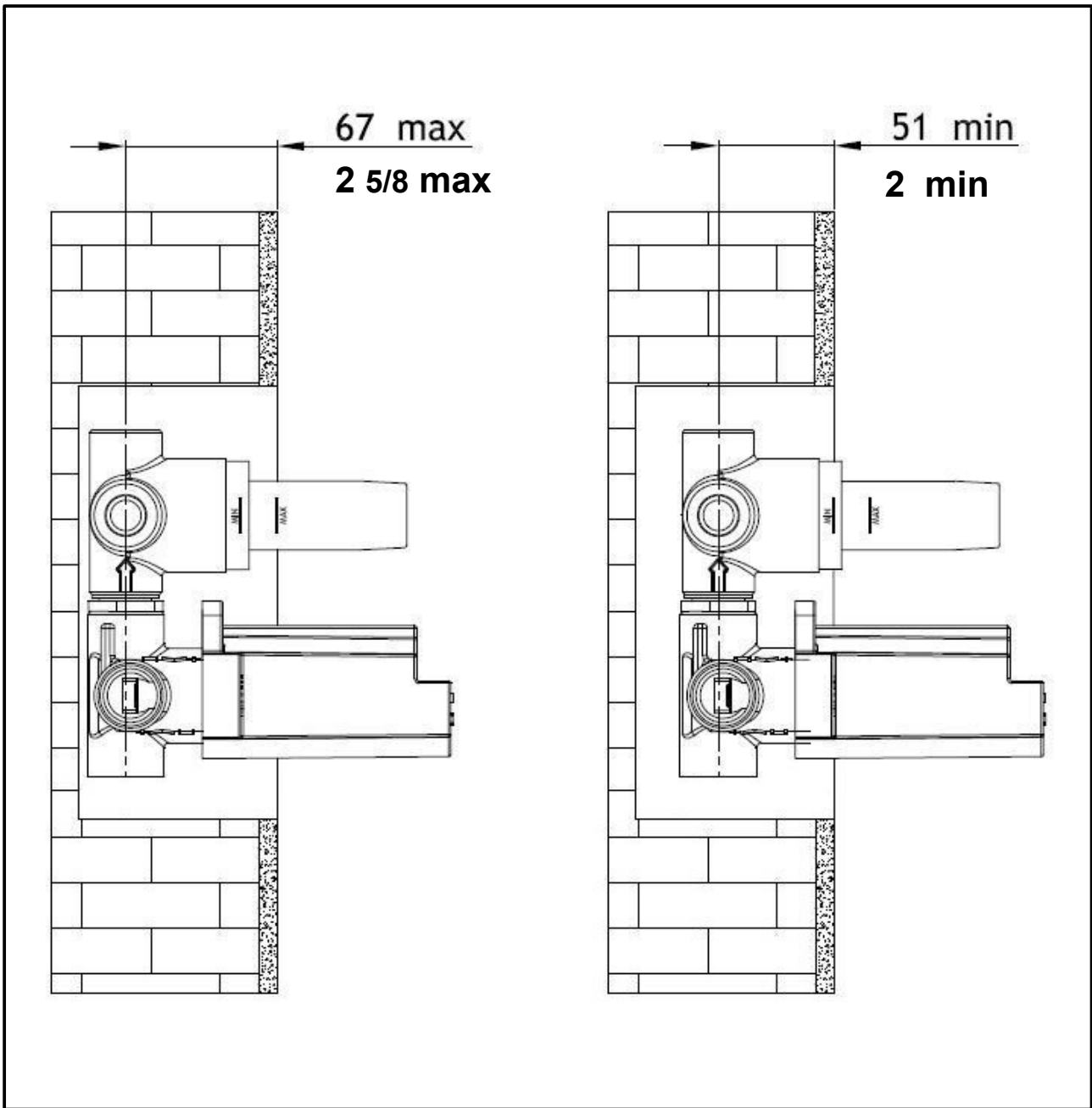
PLUMBING RECOMMENDATIONS

- ◆ An independent hot and cold water supply is required for the shower system.
- ◆ The recommended pipe work should be minimum 22 mm (0+7/8") for low pressure systems.
- ◆ If more than one shower mixer is installed, the minimum feed should be 28mm (1+3/32") (ensure adequate end constant supply of both hot and cold water)
- ◆ **READ CAREFULLY THIS MANUAL BEFORE USING YOUR MIXER AND KEEP IT AT HAND FOR FUTURE REQUIREMENTS**

INSTALLATION

Min and Max positions respect to the finished wall
Take into account also the thickness of tiles, marble, etc

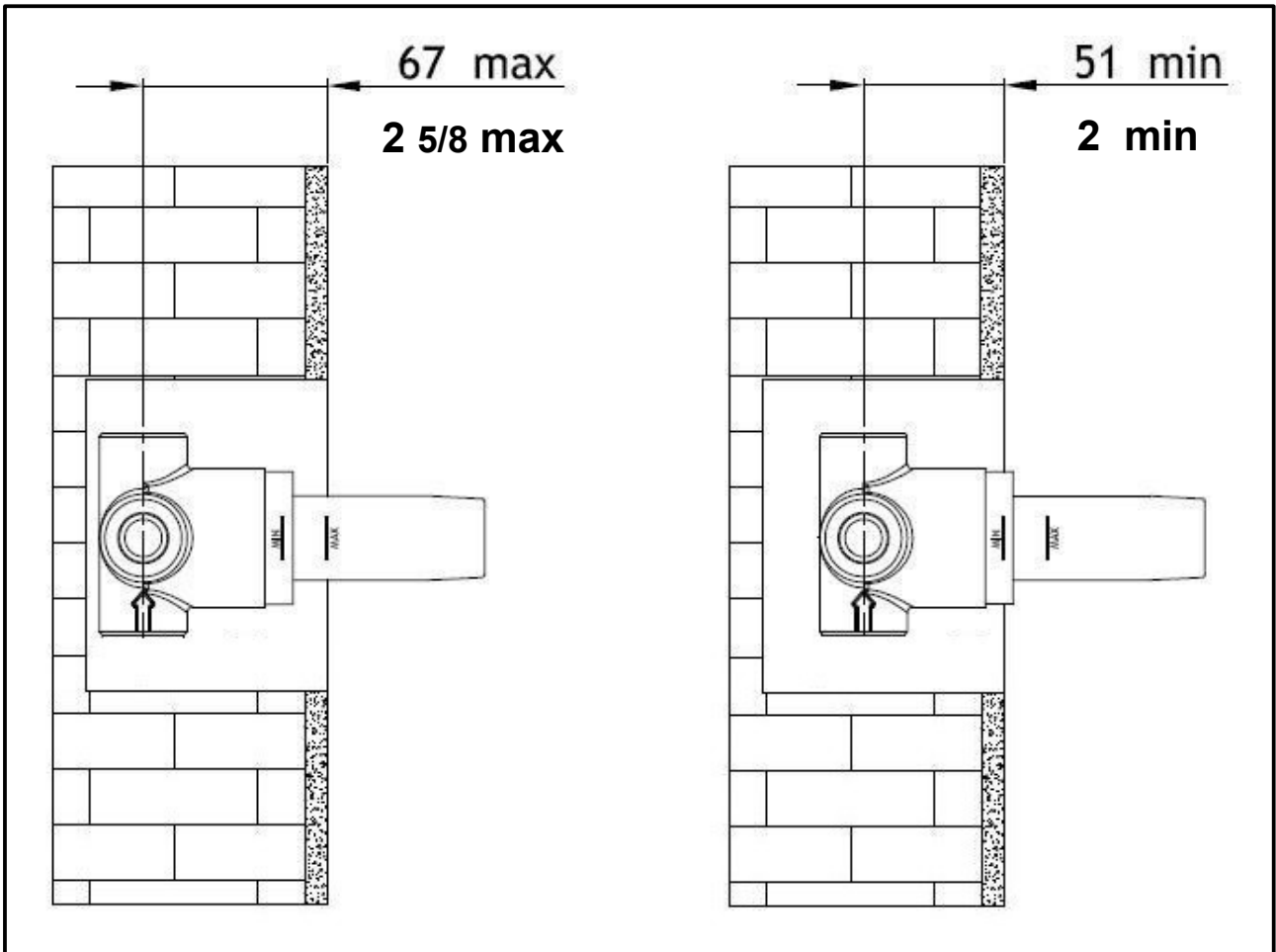
For final wall opening measures consider trim dimensions at pag. 5



INSTALLATION

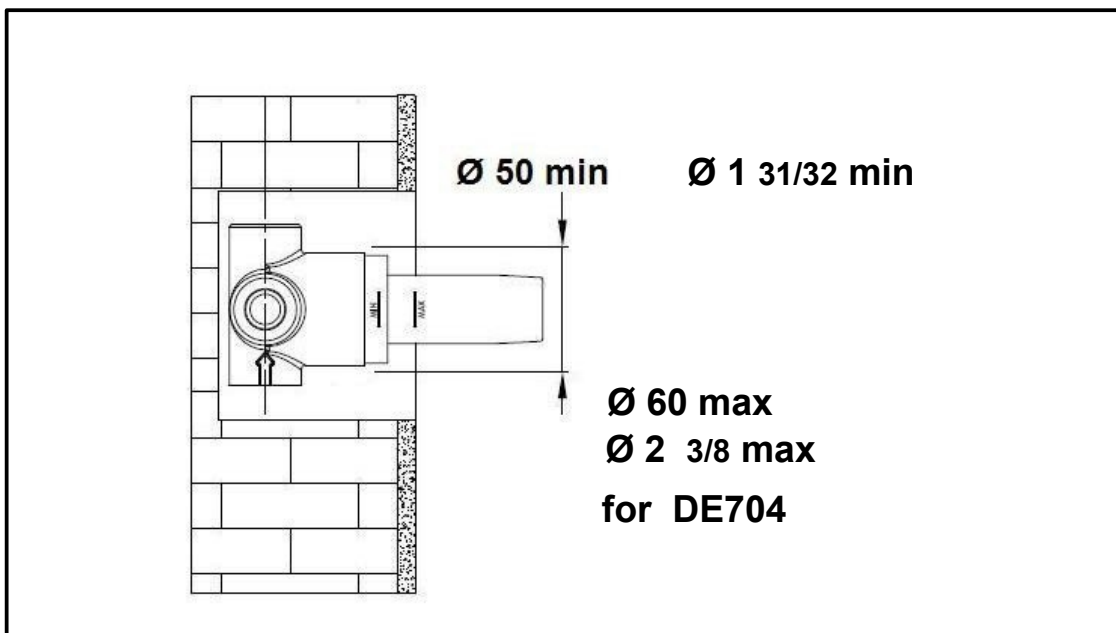
Min and Max positions respect to the finished wall
Take into account also the thickness of tiles, marble, etc

For final wall opening measures consider trim dimensions at pag. 5



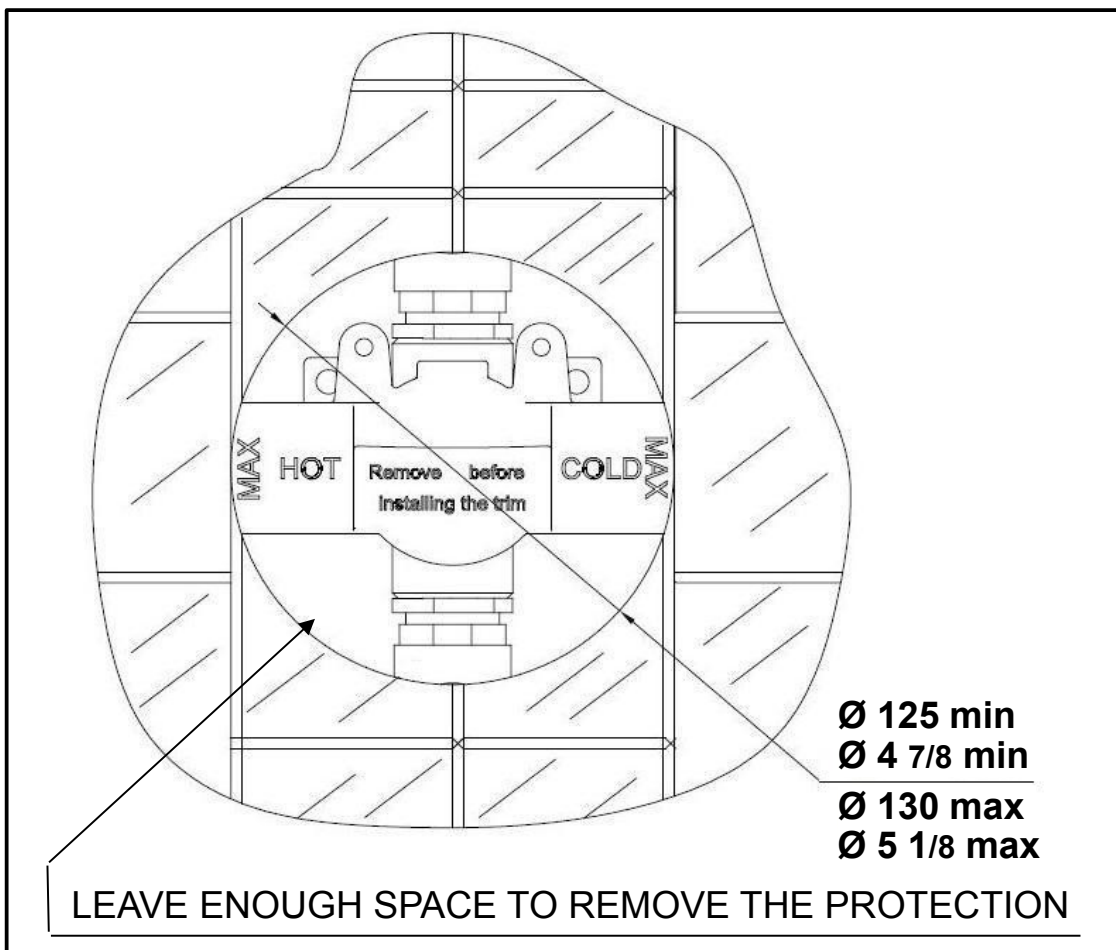
INSTALLATION

Wall gap measurement for Diverter



Wall gap for Thermostatic mixer

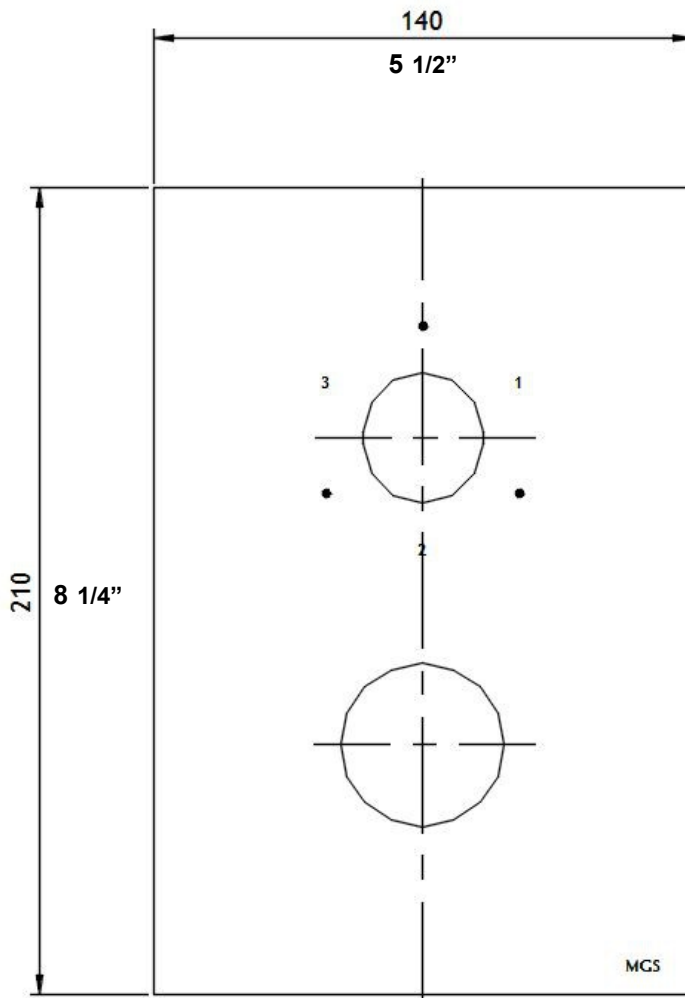
Keep a gap in the wall between Ø125 and Ø130 mm (Ø4 7/8" and Ø5 1/8") for allowing removal of protection cover and for future maintenance access.



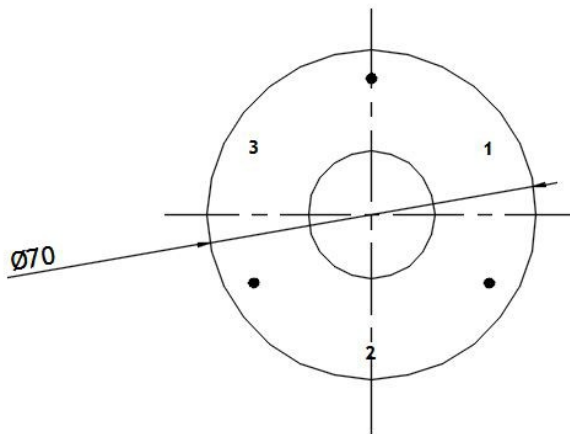
For final wall opening measures consider trim dimensions at pag. 5

INSTALLATION

Trim plate measurements according to indicated models



MB449

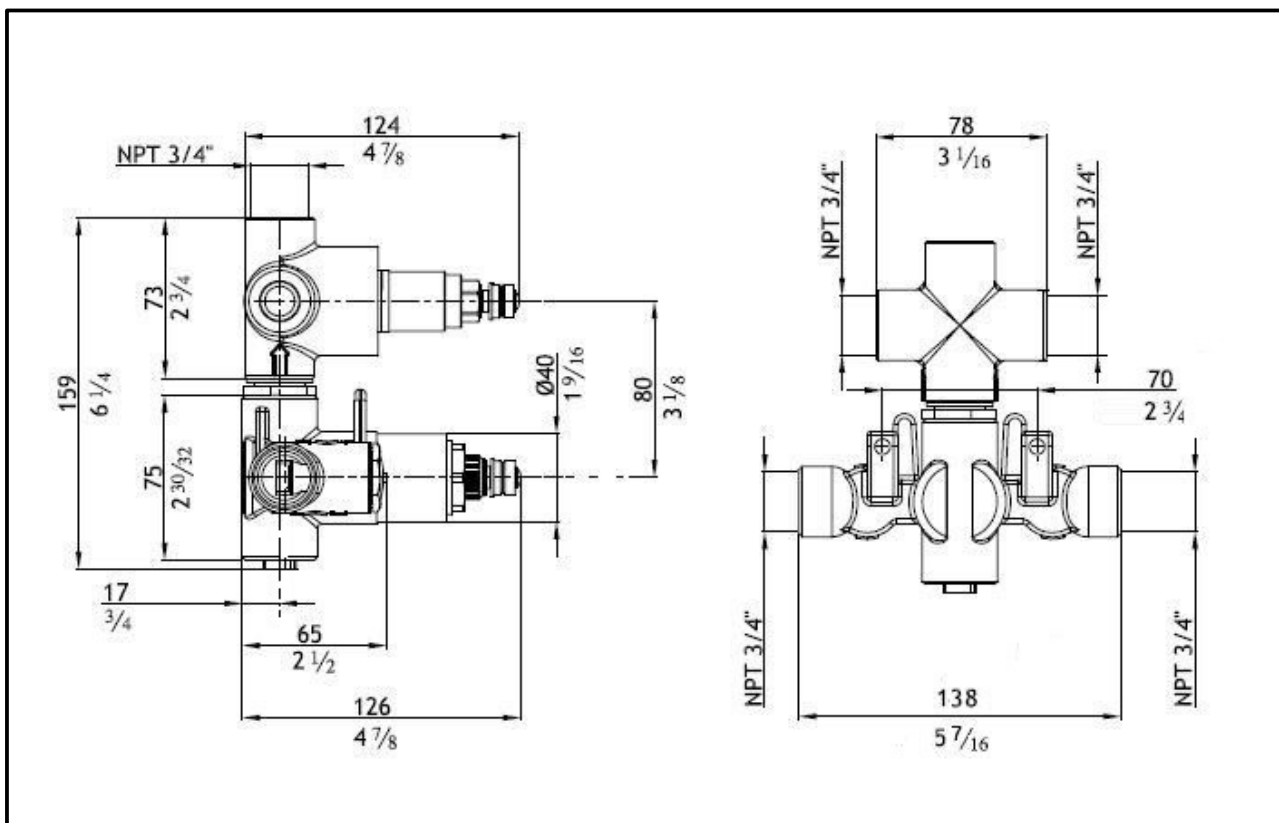


DE704

ROUGH IN VALVE DIMENSIONAL DRAWINGS

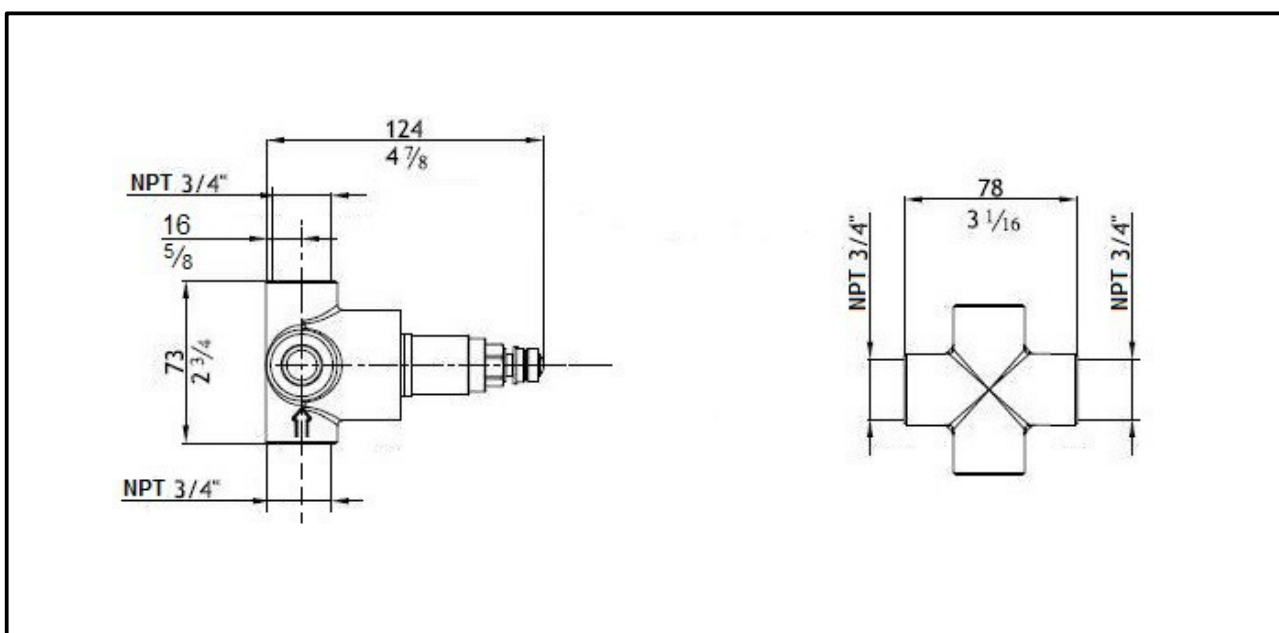
THERMOSTATIC SHOWER MIXER - 3 WAY DIVERTER

MB449 – SV9INC.275 US



3 WAY DIVERTER

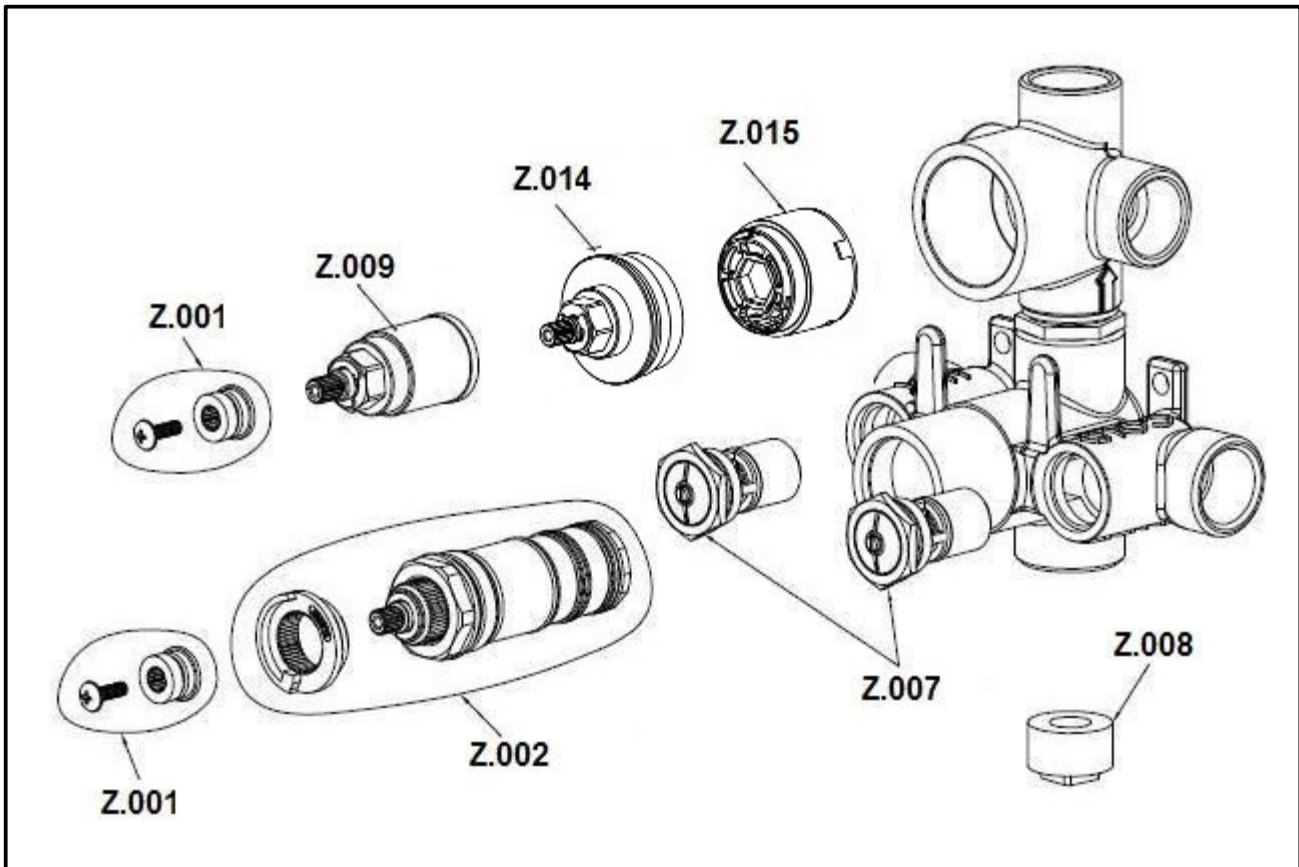
DE704 – SV9INC.276 US



SPARTS PARTS ROUGH IN VALVE

THERMOSTATIC SHOWER MIXER - 3 WAY DIVERTER

MB449 – SV9INC.275 US



3 WAY DIVERTER

DE704 – SV9INC.276 US

