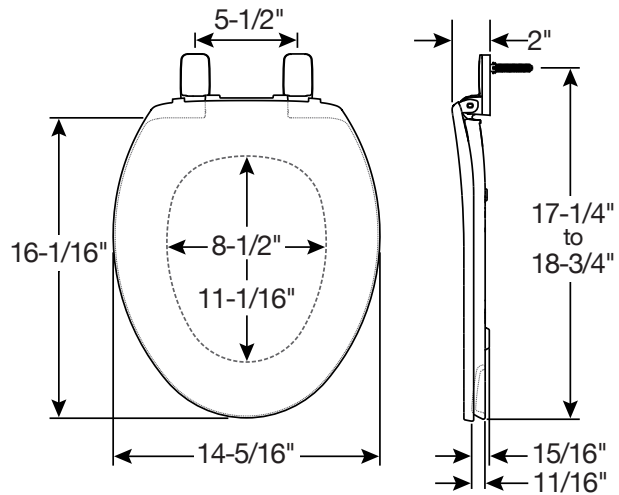
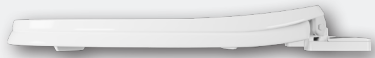




UNIVERSAL FIT™ 1UFITSL

RESIDENTIAL PLASTIC TOILET SEAT



FEATURES:

- **Universal-Fit™**
Fits both round and elongated toilets
- **Stay-Tite®**
Seat Fastening System™
Never Loosens. Guaranteed.
- **Whisper-Close®**
Slowly & softly closes



SPECIFICATIONS:

Size: Round / Elongated

Material: Plastic

Style: Closed Front with Cover

Ring Bumpers: Four

Hinges: Plastic

Hardware: Stay-Tite® Seat Fastening System™



Codes & Standards:



Complies with
IAPMO/ANSI Z124.5
Performance Standards
Residential