

For Residential and Commercial Applications

Job Name		Engineer / Architect	
Job Location		Wholesaler	
Submittal Date		Contractor	

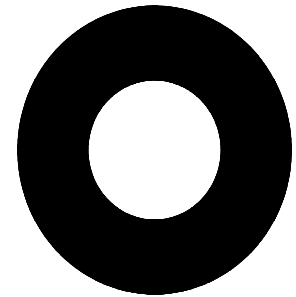
R15-78F Bonnet Packing Washer for Multi-Turn Stops

Use: Replacement washer for multi-turn stops

Operating Specifications:

Temperature: 40° to 140° F

Pressure: 125 PSI maximum

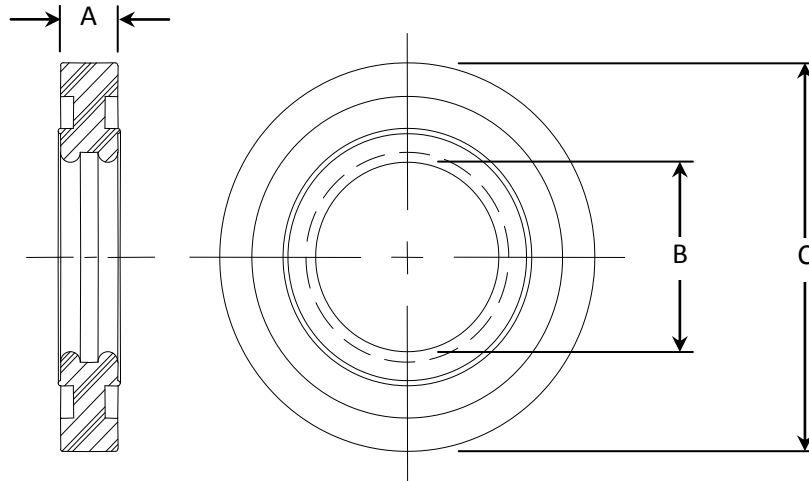


MATERIAL SPECIFICATIONS	
Washer	Nitrile rubber

PART DIMENSIONS (Inches)			
Model	DIA. A	DIA. B	DIM. C
R15-78F	.125	.368	.75

Part Listing:

- R15-78F Bonnet packing washer, bulk
- R15-78F BT Bonnet packing washer, polybagged



Listings & Certifications:

- For use with IAPMO & CSA listed ASME A112.18.1 and CSA B125.1 water stops

This specification and all information contained herein is the confidential and exclusive property of BrassCraft Manufacturing, and shall not be disclosed to others without the written consent of BrassCraft. This specification must be returned to BrassCraft if requested.

