

**For Residential and Commercial Applications**

Job Name		Engineer / Architect	
Job Location		Wholesaler	
Submittal Date		Contractor	

**PR09/ PR19/ PR39 Multi-Turn Angle Stop – CPVC x Compression**

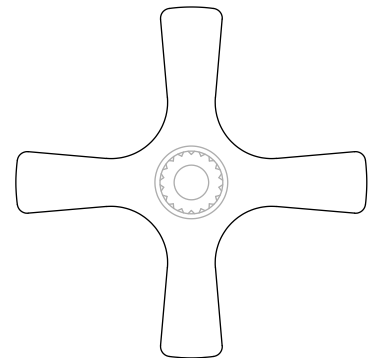
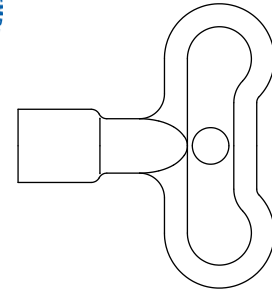
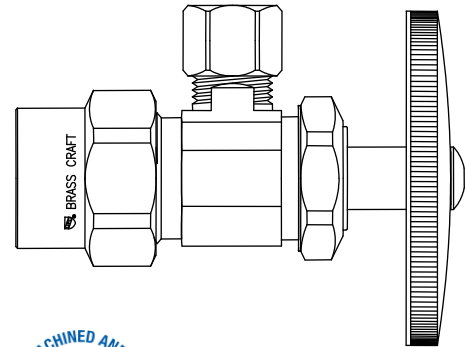
**Use:** For use in potable water distribution systems. Not intended for recirculating water systems that produce continuous use temperatures above 115° F. For those applications, use our KT™ series ball stops

**Design Features:**

- **Machined one-piece brass body** provides strength, durability, and long-lasting performance
- **Oval knurled handle** provides a secure grip and smooth on/off operation
- **No Lead**

**Operating Specifications:**

**Temperature:** 40°- 140° F  
**Pressure:** 125 PSI maximum



STOP MATERIAL SPECIFICATIONS	
<b>Body</b>	<i>Brass or brass, chrome-plated</i>
<b>Stem</b>	<i>POM; brass; or brass, chrome-plated</i>
<b>Handle</b>	<i>ABS, chrome-plated or Polycarbonate</i>
<b>Handle Screw</b>	<i>Steel, zinc-plated</i>
<b>Bib &amp; Packing Washer</b>	<i>Rubber</i>
<b>Packing Nut</b>	<i>Brass or brass, chrome-plated</i>
<b>CPVC Insert</b>	<i>CPVC</i>
<b>CPVC Washer</b>	<i>Rubber</i>
<b>CPVC Nut</b>	<i>Brass or brass, chrome-plated</i>
<b>Compression Sleeve</b>	<i>Brass</i>
<b>Compression Nut</b>	<i>Brass or brass, chrome-plated</i>
<b>Loose Key</b>	<i>Zinc die cast</i>
<b>Loose Key Stem</b>	<i>Brass</i>
<b>Lock Shield</b>	<i>Brass, chrome-plated</i>
<b>Cross Handle</b>	<i>Brass, PVD coated</i>
<b>Cross Handle Cap</b>	<i>Brass</i>
<b>Round Handle</b>	<i>Brass, chrome-plated</i>
<b>Round Handle Cap</b>	<i>Brass</i>

*This specification and all information contained herein is the confidential and exclusive property of BrassCraft Manufacturing, and shall not be disclosed to others without the written consent of BrassCraft Mfg. This specification must be returned to BrassCraft Mfg if requested.*



## PR09/ PR19/ PR39 Multi-Turn Angle Stop – CPVC x Compression

### Part Listing:

- PR09X R 1/2" nom CPVC x 1/4" OD compression, rough brass
- PR09X RM 1/2" nom CPVC x 1/4" OD compression, rough brass, 5 pack
- PR19X C 1/2" nom CPVC x 3/8" OD compression, chrome-plated
- PR19X R 1/2" nom CPVC x 3/8" OD compression, rough brass
- PR19X BZ 1/2" nom CPVC x 3/8" OD compression, oil rubbed bronze
- PR19X NS 1/2" nom CPVC x 3/8" OD compression, satin nickel
- PR19X C1 1/2" nom CPVC x 3/8" OD compression, chrome-plated, window tray
- PR19X CM 1/2" nom CPVC x 3/8" OD compression, chrome-plated, 5 pack
- PR19L1X CB 1/2" nom CPVC x 3/8" OD compression, less nut, chrome plated, bulk
- PR19TX CB 1/2" nom CPVC x 3/8" OD compression, plastic handle, chrome-plated, bulk
- PR19X RM 1/2" nom CPVC x 3/8" OD compression, rough brass, 5 pack
- PR39X C 1/2" nom CPVC x 1/2" OD compression, chrome-plated
- PR39X R 1/2" nom CPVC x 1/2" OD compression, rough brass
- PR39X CM 1/2" nom CPVC x 1/2" OD compression, chrome-plated, 5 pack
- PR39X RM 1/2" nom CPVC x 1/2" OD compression, rough brass, 5 pack
- SPR19X C 1/2" nom CPVC x 3/8" OD compression, loose key, chrome-plated
- XPR19X BZ1 1/2" nom CPVC x 3/8" OD compression, cross handle, oil rubbed bronze
- XPR19X NS1 1/2" nom CPVC x 3/8" OD compression, cross handle, satin nickel
- XXPR19X C 1/2" nom CPVC x 3/8" OD compression, round handle, chrome-plated

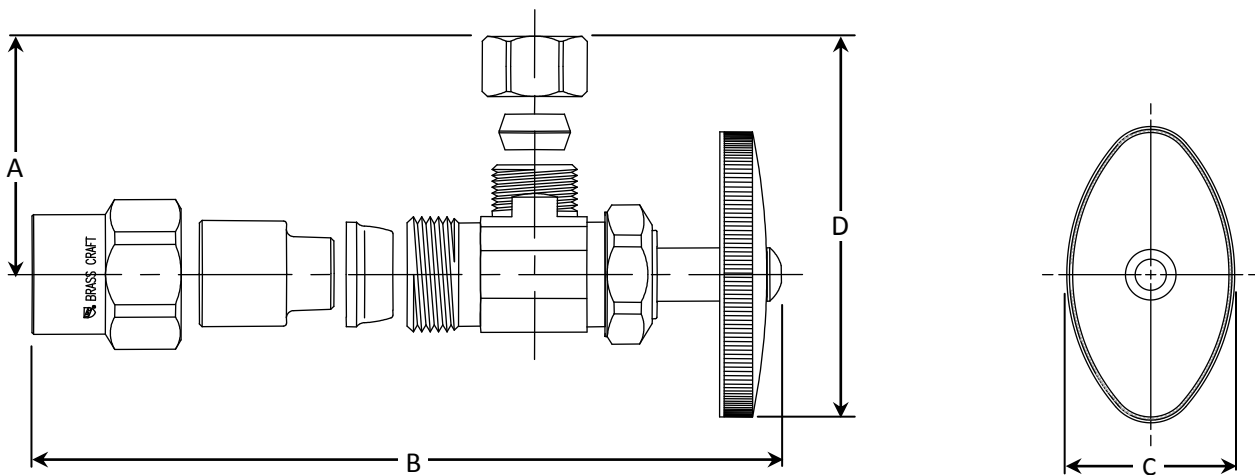
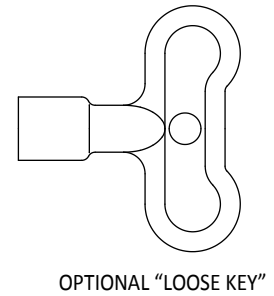
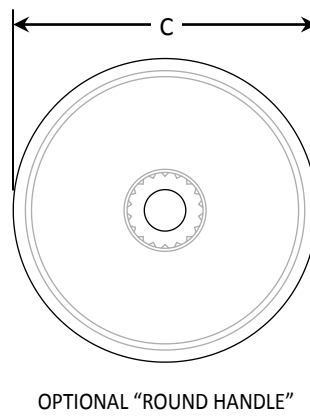
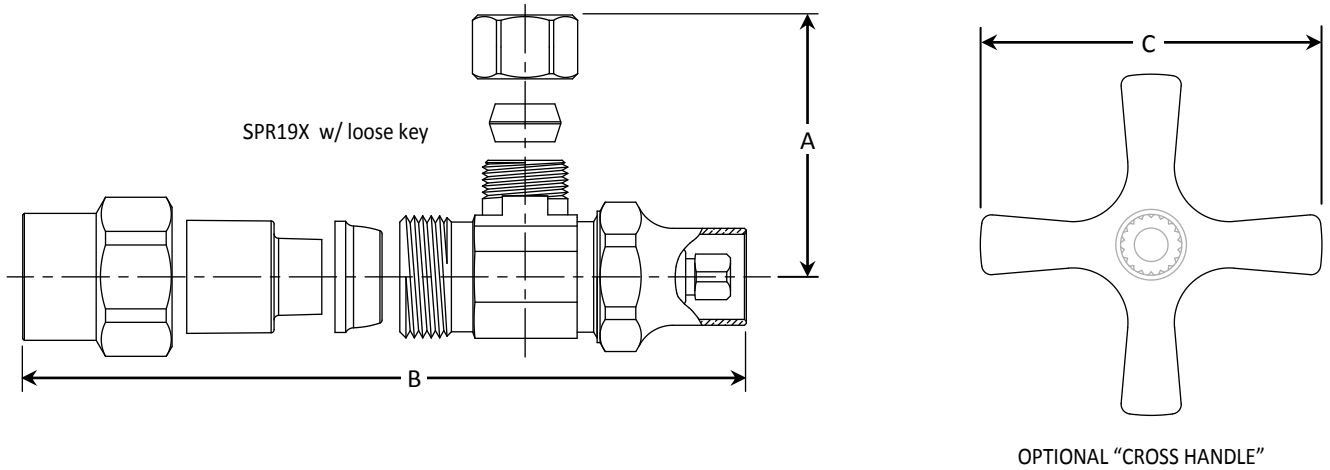
### PART DIMENSIONS (Inches)

Model	DIM. A	DIM. B w/Loose Key	DIM. B w/Handle	DIA. C	DIM. D
PR09X	1.01	N/A	2.75	1.14	1.76
PR19X	1.01	N/A	2.75	1.14	1.76
PR39X	1.15	N/A	2.75	1.14	1.76
SPR19X	1.01	3.09	N/A	N/A	N/A
XPR19X	1.01	N/A	2.75	2.11	1.76
XXPR19X	1.01	N/A	2.75	1.50	1.76

*This specification and all information contained herein is the confidential and exclusive property of BrassCraft Manufacturing, and shall not be disclosed to others without the written consent of BrassCraft Mfg. This specification must be returned to BrassCraft Mfg if requested.*

**BrassCraft®**

# PR09/ PR19/ PR39 Multi-Turn Angle Stop – CPVC x Compression



## Listings & Certifications:

- IAPMO listed to ASME A112.18.1 / CSA B125.1 (Including NSF 61 and NSF 372)(File 0645)
- CSA listed to ASME A112.18.1 / CSA B125.1 (Including NSF 61 and NSF 372)(File 204593)
- No-lead product CSA listed to NSF 372 (Class 6853-01)



*This specification and all information contained herein is the confidential and exclusive property of BrassCraft Manufacturing, and shall not be disclosed to others without the written consent of BrassCraft Mfg. This specification must be returned to BrassCraft Mfg if requested.*

400.77 PR09/PR19/PR39 Multi-Turn Angle Stop - CPVC x Compr REV 11/15

**BrassCraft**<sup>®</sup>

© 2015 BrassCraft Mfg.