

For Residential and Commercial Applications

Job Name		Engineer / Architect	
Job Location		Wholesaler	
Submittal Date		Contractor	

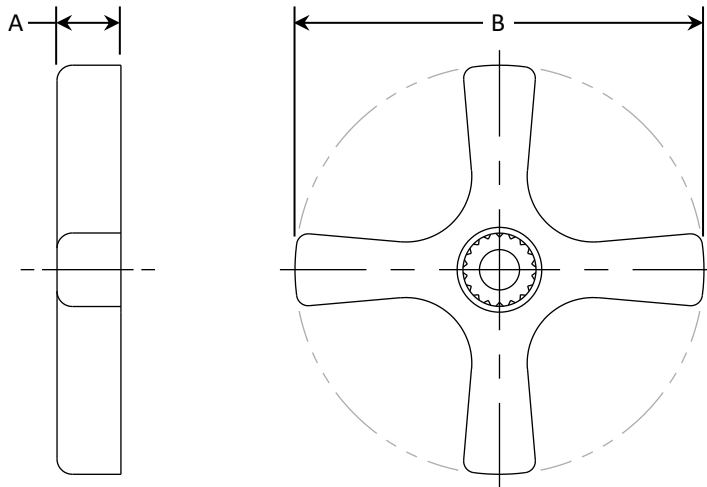
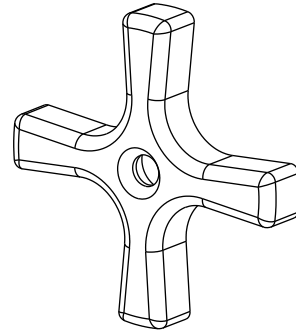
X15-10 Cross Stop Handle

Design Features:

- Easy to install
- For use with multi-turn stops only

MATERIAL SPECIFICATIONS	
Handle	<i>Zinc, die cast plated</i>
Handle Screw	<i>Steel, zinc plated</i>

PART DIMENSIONS (Inches)		
Model	DIM. A	DIA. B
X15-10	.33	2.11



Part Listing:

- | | | |
|--------------------------|------------|--------------------------------------|
| <input type="checkbox"/> | X15-10 C | Cross stop handle, chrome |
| <input type="checkbox"/> | X15-10 CD | Cross stop handle, chrome, carded |
| <input type="checkbox"/> | X15-10 BZ | Cross stop handle, oil rubbed bronze |
| <input type="checkbox"/> | X15-10 BZH | Cross stop handle, oil rubbed bronze |
| <input type="checkbox"/> | X15-10 NS | Cross stop handle, satin nickel |
| <input type="checkbox"/> | X15-10 NSH | Cross stop handle, satin nickel |
| <input type="checkbox"/> | X15-10 PB | Cross stop handle, polished brass |
| <input type="checkbox"/> | X15-10 PH | Cross stop handle, polished brass |
| <input type="checkbox"/> | X15-10 NP | Cross stop handle, polished nickel |
| <input type="checkbox"/> | X15-10 NPH | Cross stop handle, polished nickel |

This specification and all information contained herein is the confidential and exclusive property of Brasscraft Manufacturing Company and shall not be disclosed to others without the written consent of Brasscraft Mfg. Co. This specification must be returned to Brasscraft Mfg. Co. if requested.