

For Residential and Commercial Applications

Job Name		Engineer / Architect	
Job Location		Wholesaler	
Submittal Date		Contractor	

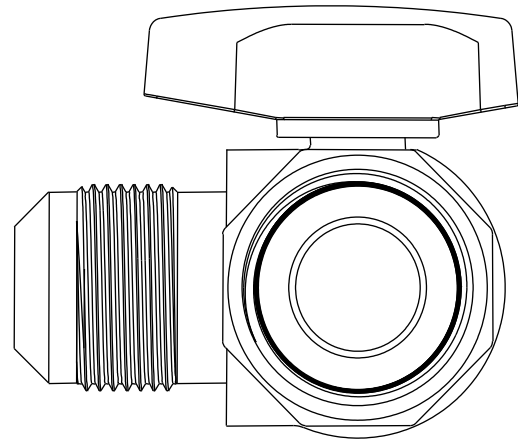
TBVA Series Angle Gas Ball Valve - Flare x Female Iron Pipe

Use: For use with natural, manufactured, mixed, liquefied-petroleum (LP) gas, and LP gas-air mixtures.

Note: The National Fuel Gas Code requires a gas shut-off valve installed upstream, within "easy reach" or 6 feet of the gas appliance

Design Features:

- **Heavy duty, forged brass body** eliminates pinhole leaks commonly associated with cast products
- **Blow-out proof stem** is assembled from the inside with double o-rings for reliable performance
- **PTFE seat rings** for longer life and consistent performance
- **Right-sized handles** ensure on/off operation even in tight installations
- **Quarter turn operation** for easy on/off flow control
- **Approved for indoor/outdoor use**
- **100% leak tested**



Operating Specifications:

Temperature: -40° - 150° F
Pressure: 5 PSI maximum

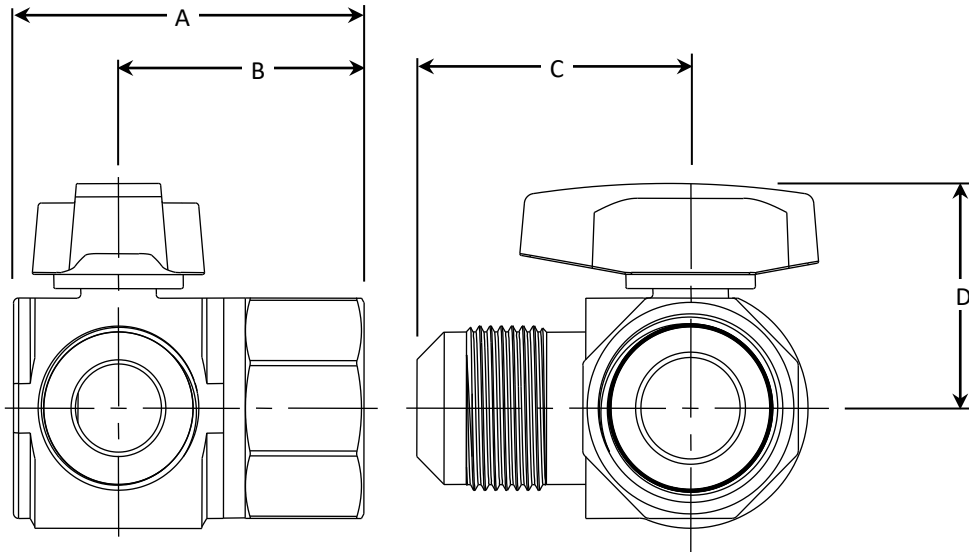
VALVE MATERIAL SPECIFICATIONS	
Body	<i>Forged brass</i>
Retainer	<i>Forged brass</i>
Ball	<i>Brass, chrome plated</i>
Seat	<i>PTFE</i>
Stem	<i>Brass</i>
O-ring	<i>High-temperature rubber</i>
Handle	<i>Aluminum</i>
Screw	<i>Steel, zinc plated</i>

This specification and all information contained herein is the confidential and exclusive property of Brasscraft Manufacturing Company and shall not be disclosed to others without the written consent of Brasscraft Mfg. Co. This specification must be returned to Brasscraft Mfg. Co. if requested.

TBVA Series Angle Gas Ball Valve - Flare x Female Iron Pipe

Part Listing:

- TBVA6-8 3/8" OD flare x 1/2" FIP, angle
- TBVA8-8 1/2" OD flare x 1/2" FIP, angle
- TBVA10-12 5/8" OD flare (15/16-16 thread) x 3/4" FIP, angle



PART SPECIFICATIONS (Inches)				
Model	DIM. A	DIM. B	DIM. C	DIM. D
TBVA6-8	1.89	1.21	1.21	1.70
TBVA8-8	1.89	1.21	1.45	1.70
TBVA10-12	2.00	1.31	1.51	1.70

Country of Origin:

Made in Italy

Listings and Certifications:

- CSA listed to ANSI Z21.15 / CSA 9.1, ANSI / ASME B16.44, and CGA CR91-002



This specification and all information contained herein is the confidential and exclusive property of Brasscraft Manufacturing Company and shall not be disclosed to others without the written consent of Brasscraft Mfg. Co. This specification must be returned to Brasscraft Mfg. Co. if requested.

