

**For Residential and Commercial Applications**

Job Name		Engineer / Architect	
Job Location		Wholesaler	
Submittal Date		Contractor	

## STR17/37/SSTR37X Multi-Turn Angle Stop w/Loose Key & Stuffing Box – Female Iron Pipe x Compression

**Use:** For use in potable water distribution systems in accessible locations only. Not intended for recirculation water systems/continuous use temperatures above 115° F. For those applications, use our KT™ series ball stops.

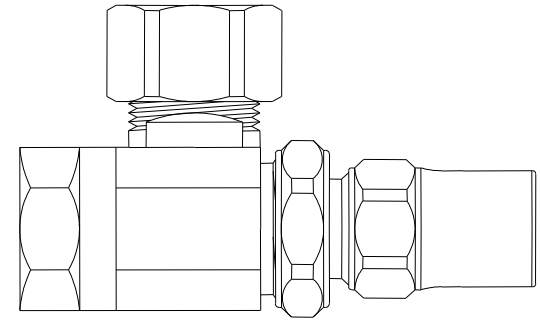
**Design Features:**

- **Machined one-piece brass body** provides strength, durability, and long-lasting performance
- **Large loose key handle** provides a secure grip for trouble-free on/off operation
- **Removable loose key handle** helps protect against accidental stop operation during rough-ins and general use



**Operating Specifications:**

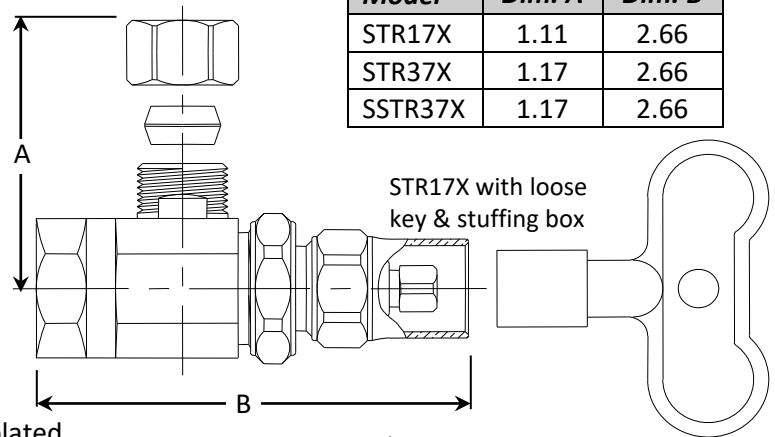
**Temperature:** 40°- 140° F  
**Pressure:** 125 PSI maximum



Excludes loose key handle

<b>PART DIMENSIONS (Inches)</b>		
Model	Dim. A	Dim. B
STR17X	1.11	2.66
STR37X	1.17	2.66
SSTR37X	1.17	2.66

<b>STOP MATERIAL SPECIFICATIONS</b>	
<b>Body</b>	Brass, plated
<b>Lock Shield Stem</b>	Brass
<b>Bib &amp; Packing Washers</b>	Nitrile or EPDM rubber
<b>Packing Nut</b>	Brass, plated
<b>Loose Key</b>	Zinc die cast
<b>Compression Sleeve</b>	Brass
<b>Compression Nut</b>	Brass, plated



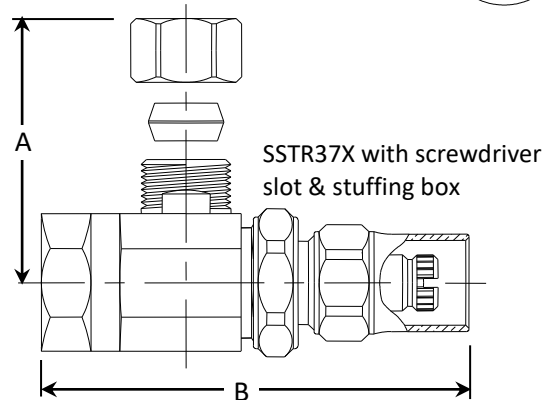
STR17X with loose key & stuffing box

**Part Listing:**

- STR17X C 1/2" FIP x 3/8" OD compression w/loose key & stuffing box, chrome plated
- STR37X C 1/2" FIP x 1/2" OD compression w/loose key & stuffing box, chrome plated
- SSTR37X C 1/2" FIP x 1/2" OD compression w/screwdriver slot & stuffing box, chrome plated

**Listings & Certifications:**

- IAPMO listed to ASME A112.18.1 / CSA B125.1 (includes NSF/ANSI 372 & NSF61)



SSTR37X with screwdriver slot & stuffing box

*This specification and all information contained herein is the confidential and exclusive property of Brasscraft Manufacturing Company and shall not be disclosed to others without the written consent of Brasscraft Mfg. Co. This specification must be returned to Brasscraft Mfg. Co. if requested.*

