

Job Name		Engineer / Architect	
Job Location		Wholesaler	
Submittal Date		Contractor	

SCR14/SSCR14X Multi-Turn Straight Stop – Compression x Compression

Use: For use in potable water distribution systems in accessible locations only. Not intended for recirculation systems/continuous use of temperatures above 115°F. For those applications, use our KT™ series ball stop.

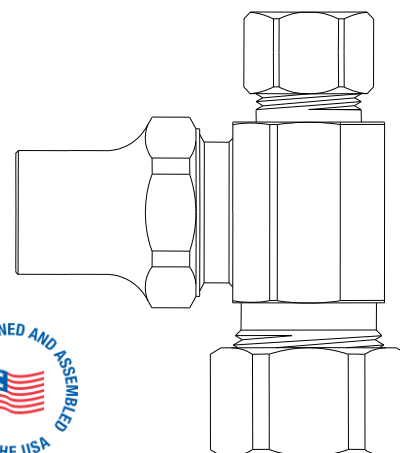
Design Features:

- **Machined one-piece brass body** provides strength, durability and long-lasting performance
- **Loose key handle** provides a secure grip for trouble-free on/off operation
- **Removable loose key handle** helps protect against accidental stop operation during rough-ins and general use



Operating Specifications:

Temperature: 40°- 140° F
Pressure: 125 PSI maximum

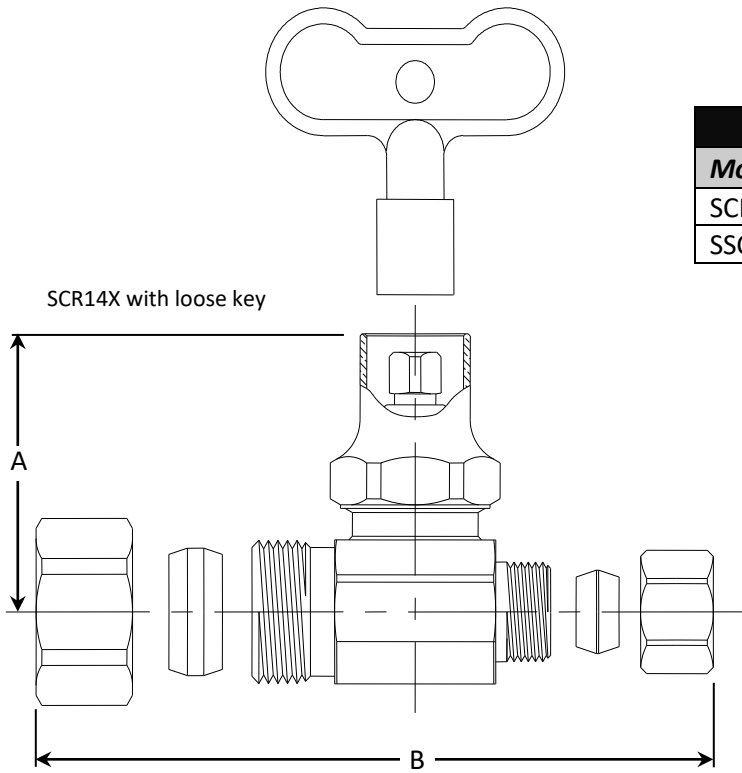


STOP MATERIAL SPECIFICATIONS	
Body	Brass, plated
Lock Shield Stem	Brass
Bib & Packing Washers	Rubber
Loose Key	Zinc die cast
Compression Nut	Brass, plated
Compression Sleeve	Brass
Lock Shield	Brass, plated

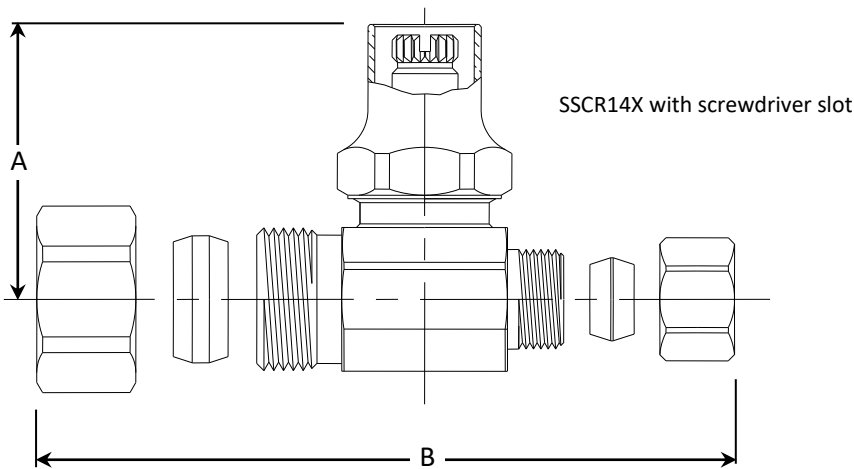
Part Listing:

- SCR14X C 1/2" nom compression x 3/8" OD compression w/loose key, chrome plated
- SSCR14X R 1/2" nom compression x 3/8" OD compression w/loose key, screwdriver slot, rough brass

SCR14/SSCR14X Multi-Turn Straight Stop – Compression x Compression



PART DIMENSIONS (Inches)		
Model	DIM. A	DIM. B
SCR14X	1.57	2.25
SSCR14X	1.57	2.25



Listings & Certifications:

- IAPMO listed to ASME A112.18.1 / CSA B125.1 (includes NSF/ANSI372 & NSF61)



Excludes loose key

This specification and all information contained herein is the confidential and exclusive property of Brasscraft Manufacturing Company and shall not be disclosed to others without the written consent of Brasscraft Mfg. Co. This specification must be returned to Brasscraft Mfg. Co. if requested.

BrassCraft®