

For Residential and Commercial Applications

Job Name		Engineer / Architect	
Job Location		Wholesaler	
Submittal Date		Contractor	

R1912DLX Copper Toilet Supply Kit - Sweat Multi-Turn Angle Stop

Use: For use in potable water distribution systems in accessible locations only. Not intended for recirculating water systems that produce continuous use temperatures above 115° F. For those applications, use our KT™ series ball stop supply kits.

Design Features:

- **Everything you need.** These kits combine our trusted stop, copper riser, and escutcheon for an easy-to-install connection



Copper riser provides:

- **One-piece** construction
- **Cut-to-length** for a clean, professional installation

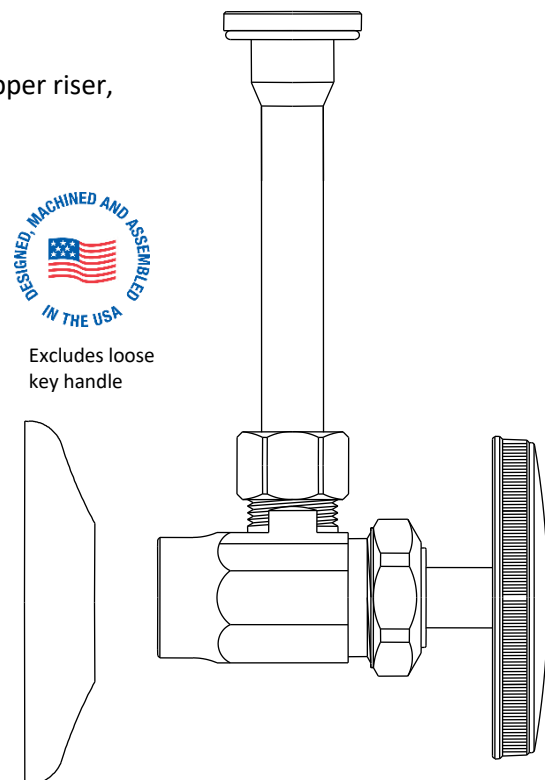
Multi-turn stop provides:

- **Machined one-piece brass body** provides strength, durability, and long-lasting performance
- **Oval knurled handle** provides a secure grip and smooth on/off operation
- **Easy-to-remove handle** helps protect against accidental stop operation during rough-ins

Operating Specifications:

Temperature: 40°- 140° F
Pressure: 125 PSI maximum

Tubing Diameter: .38" OD



CONNECTOR MATERIAL SPECIFICATIONS	
Tube	Copper, plated
Insert	TPE

Escutcheon	Stainless steel
-------------------	-----------------

STOP MATERIAL SPECIFICATIONS	
Body	Brass, plated
Stem	Brass, plated
Packing Nut	Brass, plated
Handle	Zinc, die cast
Handle Screw	Steel, zinc plated
Compression Nut	Brass, plated
Compression Sleeve	Brass
Bib & Packing Washers	Rubber
Loose Key	Zinc, die cast
Loose Key Stem	Brass, plated
Lock Shield	Brass, plated

This specification and all information contained herein is the confidential and exclusive property of Brasscraft Manufacturing Company and shall not be disclosed to others without the written consent of Brasscraft Mfg. Co. This specification must be returned to Brasscraft Mfg. Co. if requested.

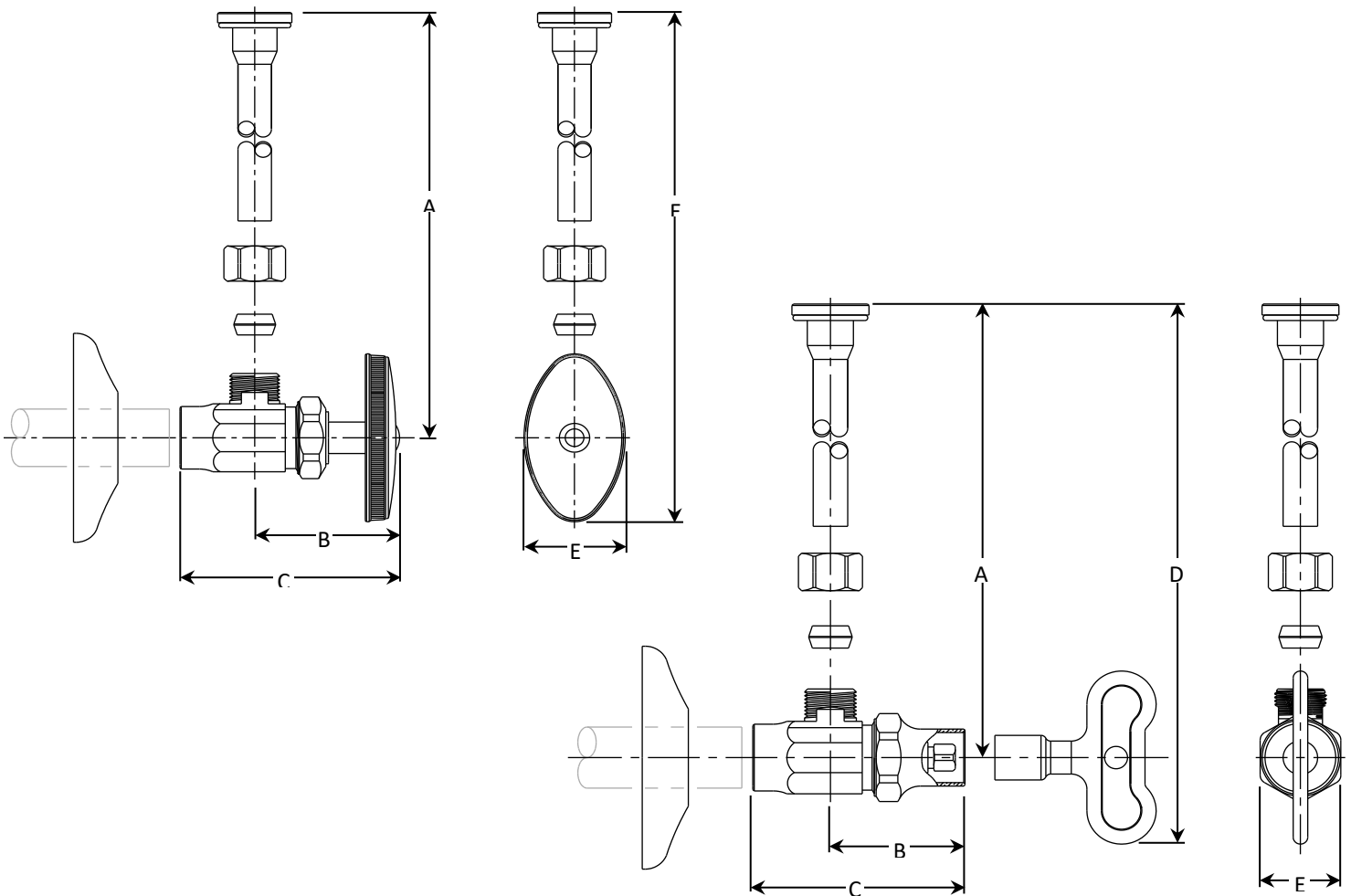


R1912DLX Copper Toilet Supply Kit - Sweat Multi-Turn Angle Stop

Part Listing:

- R1912DLX C 1/2" nom sweat x 3/8" OD compression multi-turn stop with 3/8" OD tube x 11-1/2" length riser, shallow escutcheon, chrome
- SR1912DLX C 1/2" nom sweat x 3/8" OD compression multi-turn stop with 3/8" OD tube x 11-1/2" length riser, shallow escutcheon, chrome, loose key

PART DIMENSIONS (Inches)						
Model	DIM. A	DIM. B	DIM. C	DIM. D	DIM. E	DIM. F
R1912DLX	11.92	1.63	2.50	12.93	1.14	1.14
SR1912DLX	11.92	1.46	2.29	12.89	.875	.875



Listings & Certifications:

- IAPMO listed to ASME A112.18.1/CSA B125.1 (includes NSF/ANSI372 and NSF61)



Excludes loose key handle

This specification and all information contained herein is the confidential and exclusive property of Brasscraft Manufacturing Company and shall not be disclosed to others without the written consent of Brasscraft Mfg. Co. This specification must be returned to Brasscraft Mfg. Co. if requested.

BrassCraft®