

Job Name		Engineer / Architect	
Job Location		Wholesaler	
Submittal Date		Contractor	

## R1912AX / R1920AX Copper Faucet Supply Kit - Multi-Turn Sweat Angle Stop

**Use:** For use in potable water distribution systems in accessible locations only. Not intended for recirculating water systems that produce continuous use temperatures above 115° F. For those applications, use our KT™ series ball stop supply kits.

**Design Features:**

- **Everything you need.** These kits combine our trusted BrassCraft® supply stop, copper riser, and escutcheon for an easy-to-install connection



**Copper riser provides:**

- **One-piece** construction
- **Cut-to-length** for a clean, professional installation

**Multi-turn stop provides:**

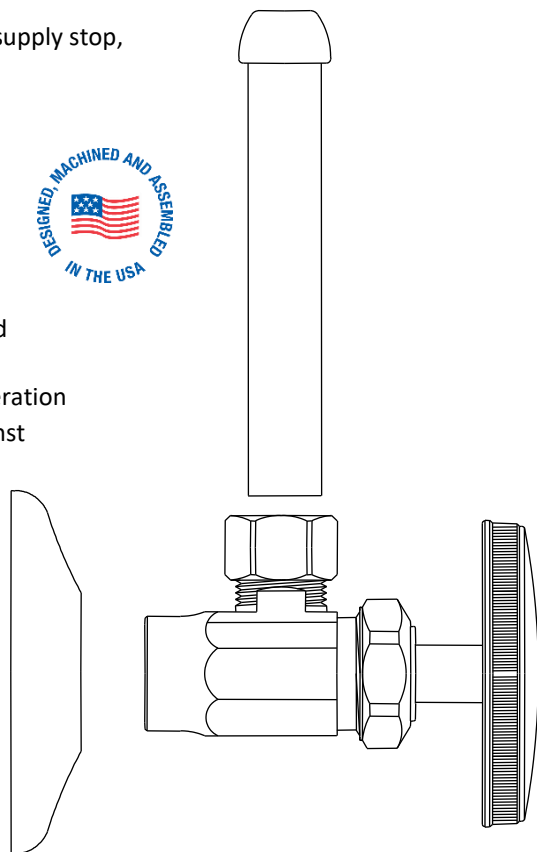
- **Machined one-piece brass body** provides strength, durability, and long-lasting performance
- **Oval knurled handle** provides a secure grip and smooth on/off operation
- **Easy-to-remove handle** with screw attachment helps protect against accidental stop operation during rough-ins

**Operating Specifications:**

**Temperature:** 40° - 140° F

**Pressure:** 125 PSI maximum

**Tubing Diameter:** .38" OD



**STOP MATERIAL SPECIFICATIONS**

<b>Body</b>	Brass, plated
<b>Stem</b>	Brass, plated
<b>Bib &amp; Packing Washer</b>	Rubber
<b>Packing Nut</b>	Brass, plated
<b>Handle</b>	Zinc, die cast plated; ABS, plated; or Polycarbonate
<b>Handle Screw</b>	Steel, zinc plated
<b>Compression Nut</b>	Brass, plated
<b>Compression Sleeve</b>	Brass
<b>Escutcheon</b>	Stainless steel
<b>Loose Key</b>	Zinc, die cast
<b>Loose Key Stem</b>	Brass, plated
<b>Lock Shield</b>	Brass, plated

**CONNECTOR MATERIAL SPECIFICATIONS**

<b>Tube</b>	Copper, plated
<b>Nosepiece Insert</b>	Plastic

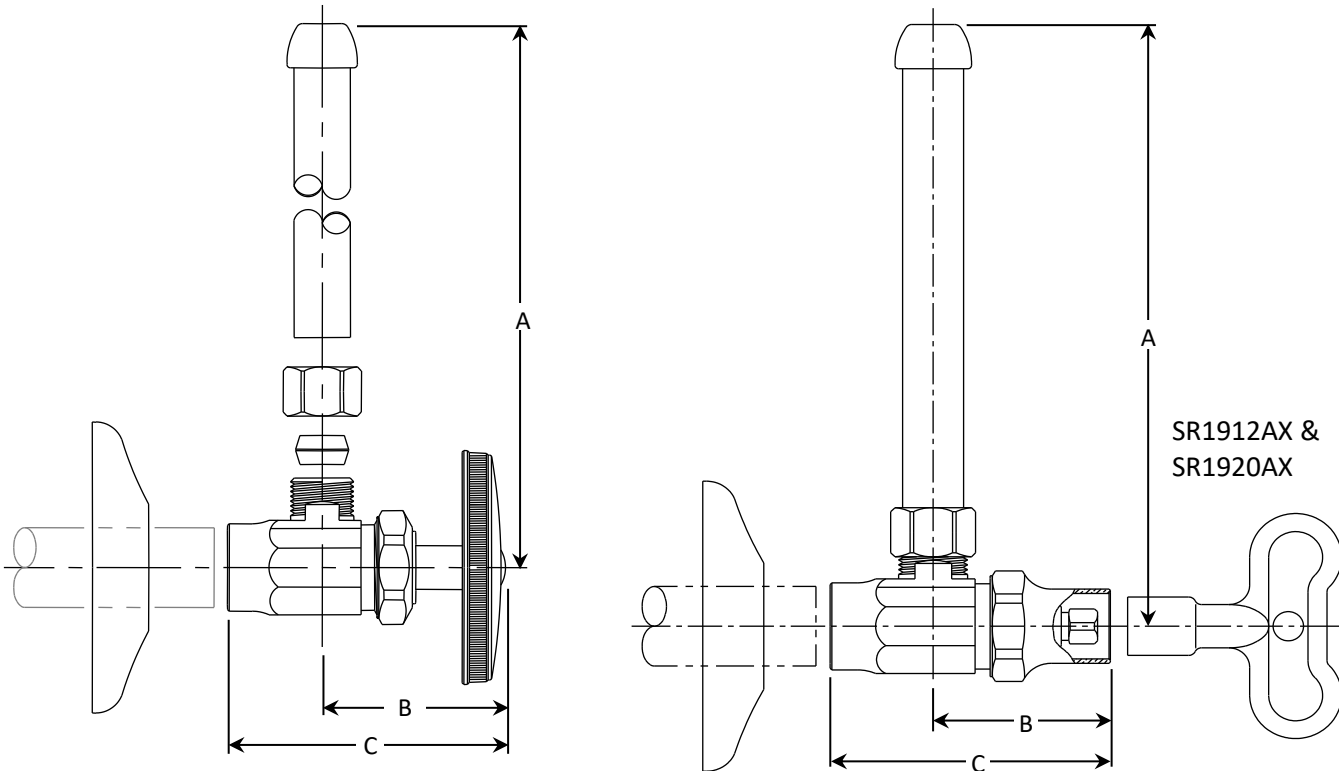
This specification and all information contained herein is the confidential and exclusive property of Brasscraft Manufacturing Company and shall not be disclosed to others without the written consent of Brasscraft Mfg. Co. This specification must be returned to BrassCraft Mfg. Co. if requested.

# R1912AX / R1920AX Copper Faucet Supply Kit - Multi-Turn Sweat Angle Stop

**Part Listing:**

- R1912AX C      1/2" nom sweat x 3/8" OD compression stop with 3/8" OD tube x 11-1/2" length riser & shallow escutcheon, chrome
- R1912AX R      1/2" nom sweat x 3/8" OD compression stop with 3/8" OD tube x 11-1/2" length riser & shallow escutcheon, rough brass
- R1920AX C      1/2" nom sweat x 3/8" OD compression stop with 3/8" OD tube x 19-1/2" length riser & shallow escutcheon, chrome
- SR1912AX C      1/2" nom sweat x 3/8" OD compression stop with 3/8" OD tube x 11-1/2" length riser & shallow escutcheon, loose key, chrome

<b>PART DIMENSIONS (Inches)</b>			
<b>Model</b>	<b>DIM. A</b>	<b>DIM. B</b>	<b>DIM. C</b>
R1912AX	12.00	1.63	2.50
SR1912AX	12.00	1.45	2.29
R1920AX	20.00	1.63	2.50
SR1920AX	20.00	1.45	2.29



**Listings & Certifications:**

- IAPMO listed to ASME A112.18.1/CSA B125.1 (includes NSF/ANSI372 and NSF61)



*This specification and all information contained herein is the confidential and exclusive property of Brasscraft Manufacturing Company and shall not be disclosed to others without the written consent of Brasscraft Mfg. Co. This specification must be returned to BrassCraft Mfg. Co. if requested.*

**BrassCraft®**