


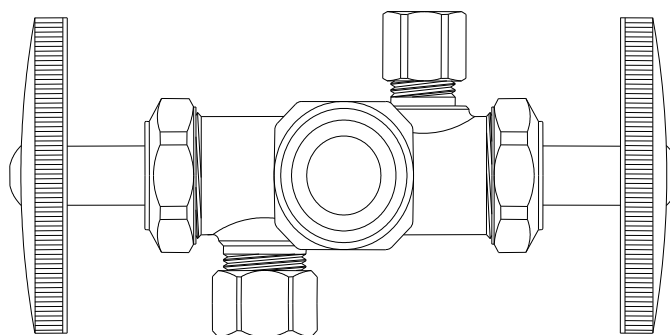
Job Name		Engineer / Architect	
Job Location		Wholesaler	
Submittal Date		Contractor	

R1700/1701DVX Multi-Turn Dual Outlet, Dual Shut-off Stop – Female Iron Pipe Inlet

Use: For use in potable water distribution systems in accessible locations only. Not intended for recirculation systems/continuous use temperatures above 115° F. For those applications, use our KT™ series ball stop.

Design Features:

- **Independent flow control.** Dual outlet, dual shut-off operation permits water flow to be controlled at one fixture while maintaining flow to the other fixture
- **Code approved replacement** for areas requiring separate shut-offs for two lines
- **Forged one-piece brass body** provides strength, durability, and long-lasting performance
- **Knurled oval handles** provide a secure grip and smooth on/off operation
- **Easy-to-remove handle** with screw attachment helps protect against accidental operation during the rough-in phase
- 



Operating Specifications:

Temperature: 40° - 140° F
Pressure: 125 PSI maximum

STOP MATERIAL SPECIFICATIONS	
Body	Brass
Stem	POM
Bib & Packing Washers	Nitrile or EPDM rubber
Packing Nut	Brass
Handle	Metal, plated
Handle Screw	Steel, zinc plated
Compression Sleeve	Brass
Compression Nut	Brass

Part Listing:

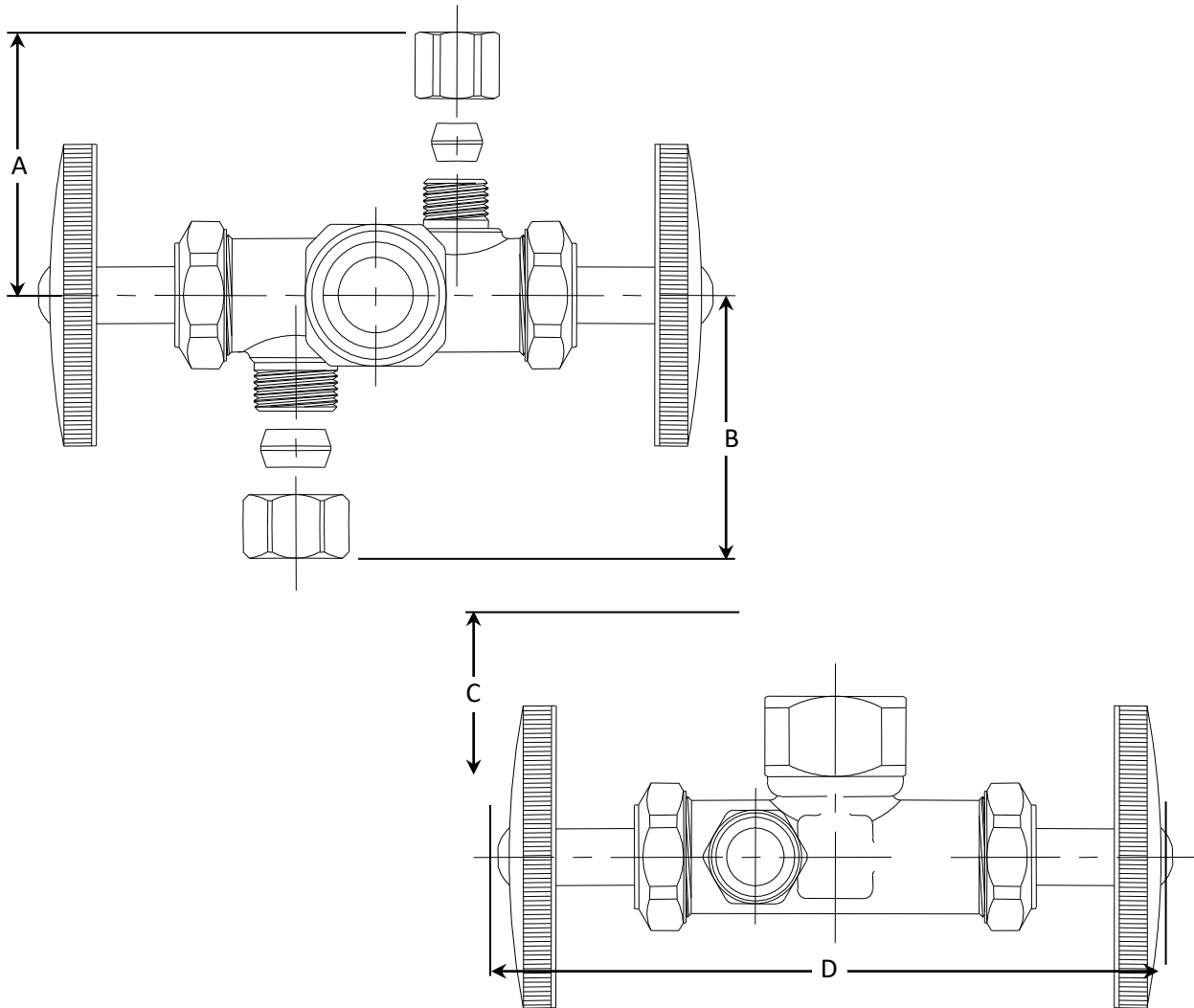
- R1700DVX R 1/2" FIP x 3/8" OD compression x 1/4" OD compression, rough brass
- R1701DVX R 1/2" FIP x 3/8" OD compression x 3/8" OD compression, rough brass

This specification and all information contained herein is the confidential and exclusive property of Brasscraft Manufacturing Company and shall not be disclosed to others without the written consent of Brasscraft Mfg. Co. This specification must be returned to Brasscraft Mfg. Co. if requested.



R1700/1701DVX Multi-Turn Dual Outlet, Dual Shut-off Stop – Female Iron Pipe Inlet

PART DIMENSIONS (Inches)			
Model	DIM. A	DIM. B	DIM. C
R1700DVX	1.09	2.49	1.05
R1701DVX	1.09	2.49	1.05



Listings & Certifications:

- IAPMO listed to ASME A112.18.1 / CSA B125.1 (includes NSF/ANSI 372 and NSF61)



This specification and all information contained herein is the confidential and exclusive property of Brasscraft Manufacturing Company and shall not be disclosed to others without the written consent of Brasscraft Mfg. Co. This specification must be returned to Brasscraft Mfg. Co. if requested.

BrassCraft[®]