

**For Residential and Commercial Applications**

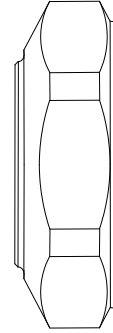
Job Name		Engineer / Architect	
Job Location		Wholesaler	
Submittal Date		Contractor	

## R15S-3 Series Bonnet Nut for Oval Handle

**Use:** Replacement bonnet nut for multi-turn water stops

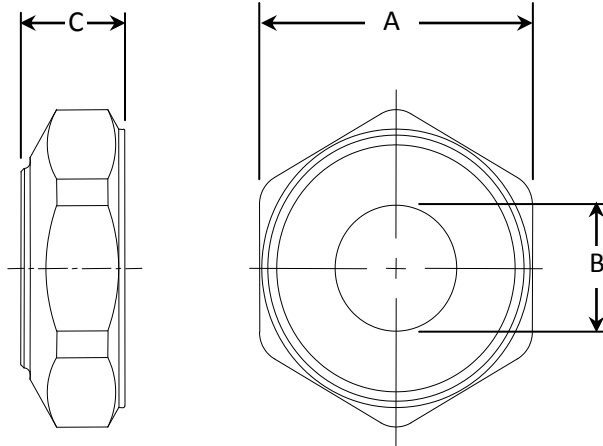
MATERIAL SPECIFICATIONS	
<b>Bonnet Nut</b>	C36000 brass

PART DIMENSIONS (Inches)			
Model	HEX. A	DIA. B	DIM. C
R15S-3	7/8	.368	.125



**Part Listing:**

- R15S-3 C Bonnet Nut (13/16-20 threads), chrome
- R15S-3 R Bonnet Nut (13/16-20 threads), rough brass
- R15S-3 RB Bonnet Nut (13/16-20 threads), rough brass, bulk



**Listings & Certifications:**

- For use with IAPMO & CSA listed ASME A112.18.1 and CSA B125.1 water stops

*This specification and all information contained herein is the confidential and exclusive property of BrassCraft Manufacturing, and shall not be disclosed to others without the written consent of BrassCraft. This specification must be returned to BrassCraft if requested.*

