

For Residential and Commercial Applications

Job Name		Engineer / Architect	
Job Location		Wholesaler	
Submittal Date		Contractor	

R15-10T Series Oval Handle for Multi-Turn Stops

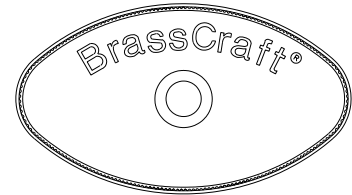
Use: Replacement oval handle for multi-turn water stops

MATERIAL SPECIFICATIONS

Handle	Zinc die cast
---------------	---------------

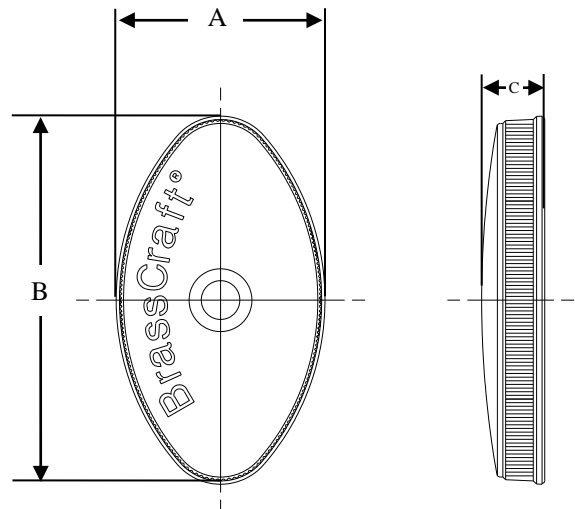
PART DIMENSIONS (Inches)

Model	DIM. A	DIM. B	DIM. C
R15-10T	1.14	2.00	.35



Part Listing:

- R15-10T BZH Oval handle, oil rubbed bronze
- R15-10T C Oval handle, chrome
- R15-10T CB Oval handle, chrome, bulk
- R15-10T NPH Oval handle, polished nickel
- R15-10T NSH Oval handle, satin nickel
- R15-10T PCB Oval handle, polished chrome
- R15-10T PH Oval handle, polished brass
- R15-10T R Oval handle, rough finish
- R15-10T RBT Oval handle, rough finish, bulk



This specification and all information contained herein is the confidential and exclusive property of Brasscraft Manufacturing Company, and shall not be disclosed to others without the written consent of Brasscraft Mfg. Co. This specification must be returned to Brasscraft Mfg. Co. if requested.

