

For Residential and Commercial Applications

| | | | |
|----------------|--|----------------------|--|
| Job Name | | Engineer / Architect | |
| Job Location | | Wholesaler | |
| Submittal Date | | Contractor | |

PSPC65 Push Connect Union Elbow

Use: For use only in potable water distribution systems, hot and cold applications

Part Listing:

- PSPC65-6X P 1/4" push connect, both ends, bagged
- PSPC65-8X P 3/8" push connect, both ends, bagged
- PSPC65-10X P 1/2" push connect, both ends, bagged
- PSPC65-14X P 3/4" push connect, both ends, bagged
- PSPC65-18X P 1" push connect, both ends, bagged
- PSPC65-22X P 1-1/4" push connect, both ends, bagged
- PSPC65-26X P 1-1/2" push connect, both ends, bagged
- PSPC65-34X P 2" push connect, both ends, bagged

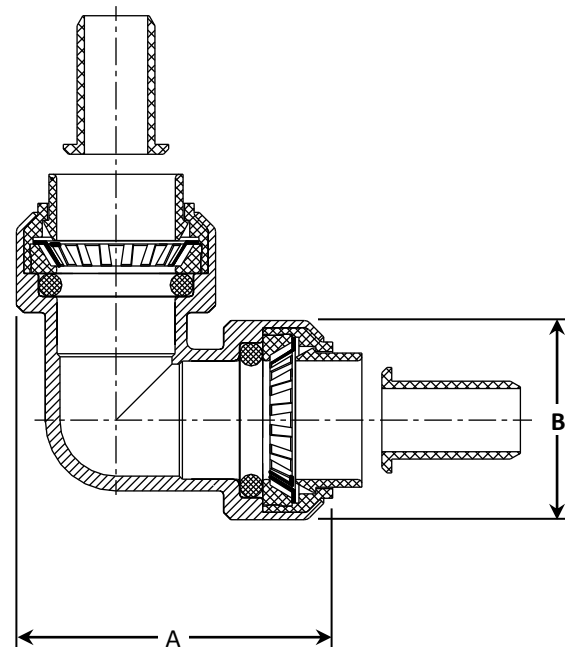
Design Features:

- Compatible with copper, PEX, or CPVC
- No soldering, clamps, unions, or glue required
- Removable
- Used in wet or dry installations
- Approved for behind the wall and underground use*
- 25 year limited warranty

| PART DIMENSIONS (Inches) | | |
|--------------------------|--------|--------|
| Model | DIM. A | DIA. B |
| PSPC65-6X | 1.20 | .72 |
| PSPC65-8X | 1.46 | .87 |
| PSPC65-10X | 1.78 | 1.09 |
| PSPC65-14X | 2.12 | 1.32 |
| PSPC65-18X | 2.55 | 1.65 |
| PSPC65-22X | 3.18 | 2.05 |
| PSPC65-26X | 3.70 | 2.48 |
| PSPC65-34X | 4.34 | 3.03 |

| Operating Specifications | |
|--------------------------|-----------------|
| Temperature | Pressure |
| 33° - 180° F | 200 PSI maximum |

| MATERIAL SPECIFICATIONS | |
|-------------------------|-----------------|
| Body | Low lead brass |
| O-ring | EPDM |
| Backer Ring | Polypropylene |
| Gripper Ring | Stainless steel |
| Removal Flange | Polypropylene |
| Tube Support | POM |



*Please consult with local code for final approval

Listings & Certifications:

- IAPMO listed to ASSE1061



This specification and all information contained herein is the confidential and exclusive property of Brasscraft Manufacturing Company and shall not be disclosed to others without the written consent of Brasscraft Mfg. Co. This specification must be returned to Brasscraft Mfg. Co. if requested.