

For Residential and Commercial Applications

Job Name		Engineer / Architect	
Job Location		Wholesaler	
Submittal Date		Contractor	

PSPC62 Push Connect Reducing Union

Use: For use only in potable water distribution systems, hot and cold applications

Part Listing:

- PSPC62-10-6X P 1/2" push connect x 1/4" push connect, bagged
- PSPC62-10-8X P 1/2" push connect x 3/8" push connect, bagged
- PSPC62-14-10X P 3/4" push connect x 1/2" push connect, bagged
- PSPC62-18-14X P 1" push connect x 3/4" push connect, bagged
- PSPC62-22-18X P 1-1/4" push connect x 1" push connect, bagged
- PSPC62-26-22X P 1-1/2" push connect x 1-1/4" push connect, bagged
- PSPC62-34-26X P 2" push connect x 1-1/2" push connect, bagged

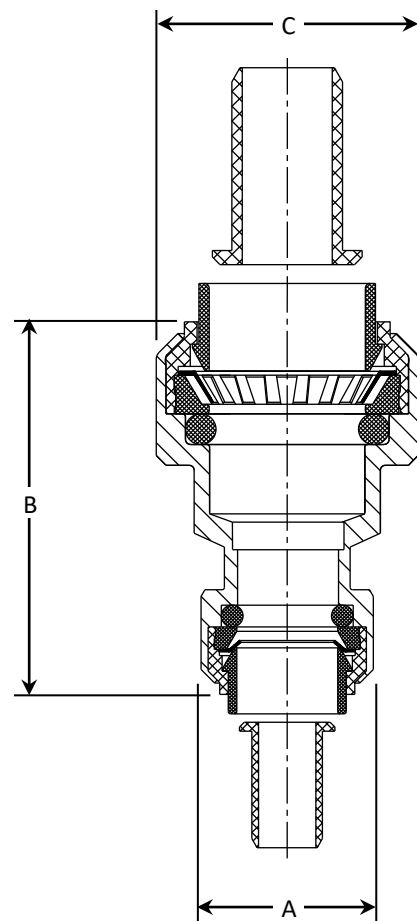
Design Features:

- Compatible with copper, PEX, or CPVC
- No soldering, clamps, unions, or glue required
- Removable
- Used in wet or dry installations
- Approved for behind the wall and underground use*
- 25 year limited warranty

PART DIMENSIONS (Inches)			
Model	DIA. A	DIM. B	DIA. C
PSPC62-10-6X	.72	1.49	1.07
PSPC62-10-8X	.87	1.69	1.07
PSPC62-14-10X	1.35	1.86	1.09
PSPC62-18-14X	1.35	2.13	1.66
PSPC62-22-18X	1.66	2.66	2.07
PSPC62-26-22X	2.07	3.01	2.48
PSPC62-34-26X	2.48	3.38	3.02

Operating Specifications	
Temperature	Pressure
33°- 180° F	200 PSI maximum

MATERIAL SPECIFICATIONS	
Body	Low lead brass
O-ring	EPDM
Backer Ring	Polypropylene
Gripper Ring	Stainless steel
Removal Flange	Polypropylene
Tube Support	POM



*Please consult with local code for final approval

Listings & Certifications:

- IAPMO listed to ASSE1061



This specification and all information contained herein is the confidential and exclusive property of Brasscraft Manufacturing Company and shall not be disclosed to others without the written consent of Brasscraft Mfg. Co. This specification must be returned to Brasscraft Mfg. Co. if requested.