

For Residential and Commercial Applications

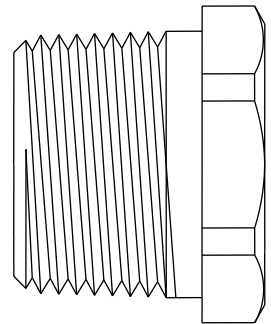
Job Name		Engineer / Architect	
Job Location		Wholesaler	
Submittal Date		Contractor	

PRB Series Pipe Reducer Bushing – Male Iron Pipe x Female Iron Pipe

Use: For use with water, grease, fuels, LP and Natural Gas, refrigeration, instrumentation, and hydraulic systems in low and medium pressure pipe line connections. Use in combination with brass, copper, and iron pipe.

Design Features:

- **Designed & manufactured to SAE** (Society of Automotive Engineers) **thread standards** – SAE 130140
- **Available** in a broad range of sizes
-



Operating Specifications:

- Temperature:** -65° to 250° F
- Working Pressure:** Up to 1200 PSI
- Vibration:** Fair resistance to vibration and pipe movement depending on conditions

Standard Product

FITTING MATERIAL SPECIFICATIONS	
body	Brass

Low-lead Product

FITTING MATERIAL SPECIFICATIONS	
body	Low-lead brass

Standard Part Listing:

- | | | |
|--------------------------|------------|---------------------------|
| <input type="checkbox"/> | PRB-4-2 | 1/4" MIP x 1/8" FIP |
| <input type="checkbox"/> | PRB-4-2 B | 1/4" MIP x 1/8" FIP, bulk |
| <input type="checkbox"/> | PRB-6-2 | 3/8" MIP x 1/8" FIP |
| <input type="checkbox"/> | PRB-6-2 B | 3/8" MIP x 1/8" FIP, bulk |
| <input type="checkbox"/> | PRB-6-4 | 3/8" MIP x 1/4" FIP |
| <input type="checkbox"/> | PRB-6-4 B | 3/8" MIP x 1/4" FIP, bulk |
| <input type="checkbox"/> | PRB-8-2 | 1/2" MIP x 1/8" FIP |
| <input type="checkbox"/> | PRB-8-2 B | 1/2" MIP x 1/8" FIP, bulk |
| <input type="checkbox"/> | PRB-8-4 | 1/2" MIP x 1/4" FIP |
| <input type="checkbox"/> | PRB-8-4 B | 1/2" MIP x 1/4" FIP, bulk |
| <input type="checkbox"/> | PRB-8-6 | 1/2" MIP x 3/8" FIP |
| <input type="checkbox"/> | PRB-8-6 B | 1/2" MIP x 3/8" FIP, bulk |
| <input type="checkbox"/> | PRB-12-2 | 3/4" MIP x 1/8" FIP |
| <input type="checkbox"/> | PRB-12-2 B | 3/4" MIP x 1/8" FIP, bulk |
| <input type="checkbox"/> | PRB-12-4 | 3/4" MIP x 1/4" FIP |

This specification and all information contained herein is the confidential and exclusive property of Brasscraft Manufacturing Company and shall not be disclosed to others without the written consent of Brasscraft Mfg. Co. This specification must be returned to Brasscraft Mfg. Co. if requested.

PRB Series Pipe Reducer Bushing – Male Iron Pipe x Female Iron Pipe

Standard Part Listing (con't):

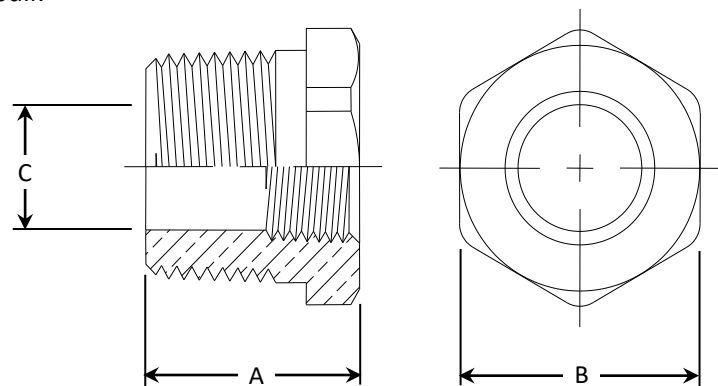
- PRB-12-4 B 3/4" MIP x 1/4" FIP, bulk
- PRB-12-6 3/4" MIP x 3/8" FIP
- PRB-12-6 B 3/4" MIP x 3/8" FIP, bulk
- PRB-12-8 3/4" MIP x 1/2" FIP
- PRB-12-8 B 3/4" MIP x 1/2" FIP, bulk
- PRB-16-8 B 1" MIP x 1/2" FIP, bulk
- PRB-16-12 B 1" MIP x 3/4" FIP, bulk

Low-lead Part Listing:

- PRB-4-2X 1/4" MIP x 1/8" FIP
- PRB-4-2X B 1/4" MIP x 1/8" FIP, bulk
- PRB-6-2X 3/8" MIP x 1/8" FIP
- PRB-6-2X B 3/8" MIP x 1/8" FIP, bulk
- PRB-6-4X 3/8" MIP x 1/4" FIP
- PRB-6-4X B 3/8" MIP x 1/4" FIP, bulk
- PRB-8-2X 1/2" MIP x 1/8" FIP
- PRB-8-2X B 1/2" MIP x 1/8" FIP, bulk
- PRB-8-4X 1/2" MIP x 1/4" FIP
- PRB-8-4X B 1/2" MIP x 1/4" FIP, bulk
- PRB-8-6X 1/2" MIP x 3/8" FIP
- PRB-8-6X B 1/2" MIP x 3/8" FIP, bulk
- PRB-12-4X 3/4" MIP x 1/4" FIP
- PRB-12-4X B 3/4" MIP x 1/4" FIP, bulk
- PRB-12-8X 3/4" MIP x 1/2" FIP
- PRB-12-8X B 3/4" MIP x 1/2" FIP, bulk

STANDARD PART DIMENSIONS (Inches)			
Model	DIM. A	HEX. B	DIM. C
PRB-4-2	.75	.56	.33
PRB-6-2	.75	.69	.34
PRB-6-4	.75	.75	.44
PRB-8-2	1.00	.88	.34
PRB-8-4	1.00	.88	.44
PRB-8-6	1.00	.88	.58
PRB-12-2	1.00	1.13	.34
PRB-12-4	1.00	1.13	.44
PRB-12-6	1.00	1.13	.58
PRB-12-8	1.00	1.13	.70
PRB-16-8	1.09	1.38	.70
PRB-16-12	1.09	1.38	.89

LOW-LEAD PART DIMENSIONS (Inches)			
Model	DIM. A	HEX. B	DIM. C
PRB-4-2X	.75	.56	.33
PRB-6-2X	.69	.69	.43
PRB-6-4X	.63	.67	.45
PRB-8-2X	.75	.83	.59
PRB-8-4X	.75	.83	.58
PRB-8-6X	.71	.81	.59
PRB-12-4X	.89	1.06	.79
PRB-12-8X	.91	1.06	.80



This specification and all information contained herein is the confidential and exclusive property of Brasscraft Manufacturing Company and shall not be disclosed to others without the written consent of Brasscraft Mfg. Co. This specification must be returned to Brasscraft Mfg. Co. if requested.

BrassCraft®