

For Residential and Commercial Applications

Job Name		Engineer / Architect	
Job Location		Wholesaler	
Submittal Date		Contractor	

PR54X Multi-Turn Straight Stop - CPVC X Compression

Use: For use in potable water distribution systems in accessible locations only. Not intended for recirculating water systems that produce continuous use temperatures above 115° F. For those applications, use our KT™ series ball stop.

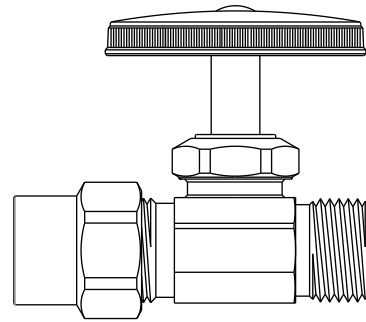
Design Features:

- **Machined one-piece brass body** provides strength, durability, and long-lasting performance
- **Oval knurled handle** provides a secure grip and smooth on/off operation



Operating Specifications:

Temperature: 40° - 140° F
Pressure: 125 PSI maximum

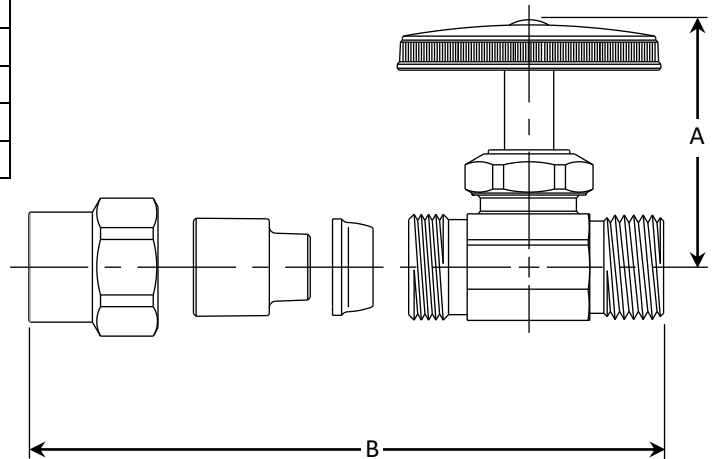


STOP MATERIAL SPECIFICATIONS

Body	Brass
Stem	POM
Bib & Packing Washers	Rubber
Packing Nut	Brass
Handle	Metal, plated or polycarbonate
Handle Screw	Zinc-plated steel
CPVC Insert	CPVC
CPVC Washer	Rubber

PART DIMENSIONS (Inches)

Model	DIM. A	DIM. B
PR54TX	1.56	3.28



Part Listing:

- PR54TX C 1/2" nom CPVC x 7/16" & 1/2" slip joint, chrome
- PR54TX R 1/2" nom CPVC x 7/16" & 1/2" slip joint, rough brass

Listings & Certifications:

- IAPMO listed to ASME A112.18.1 / CSA B125.1 (includes NSF/ANSI372 & NSF61)



This specification and all information contained herein is the confidential and exclusive property of Brasscraft Manufacturing Company and shall not be disclosed to others without the written consent of Brasscraft Mfg. Co. This specification must be returned to Brasscraft Mfg. Co. if requested.

