

Job Name		Engineer / Architect	
Job Location		Wholesaler	
Submittal Date		Contractor	

PR19V90DLX/ PR19V120DLX Vinyl One-Piece Toilet Supply Kit – CPVC Multi-Turn Angle Stop

Use: For use with potable water distribution systems in accessible locations only. Not intended for recirculating systems that produce continuous use temperatures above 115° F. For those applications, use our KT™ series supply kits.

Design Features:

- **Everything you need.** These kits combine our trusted BrassCraft® supply stop, vinyl water connector, and escutcheon for an easy-to-install connection

Vinyl connector provides:

- **No kink hose.** The specially engineered reinforced PVC hose provides unique flexibility to prevent kinking and crimping
- **Strong and durable** with a tighter weave and two-layer bonded construction, outperforms conventional vinyl connectors
- **Rubber washers** provide a large pliable sealing surface and ensures a long-lasting water tight connection
- **8-sided pneumatic crimp** provides greater dependability for reliable nut-to-hose connections

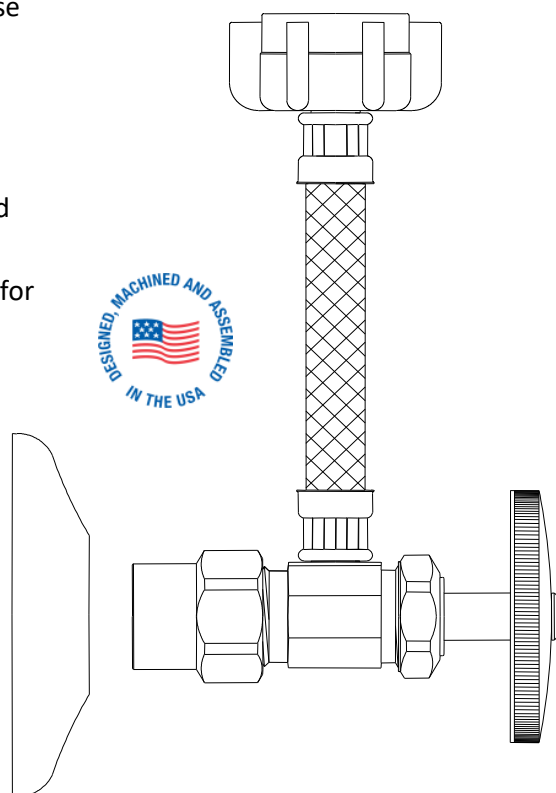
Multi-turn stop provides:

- **Machined one-piece brass body** provides strength, durability, and long-lasting performance
- **Oval knurled handle** provides a secure grip and smooth on/off operation
- **Easy-to-remove handle** with screw attachment helps protect against accidental stop operation during rough-ins

Operating Specifications:

Temperature: 40° - 160° F, intermittent to 180° F
Pressure: 125 PSI maximum

Tubing Diameter: 0.300" ID (0.500" OD)



PR19V90DLX/ PR19V120DLX

Vinyl One-Piece Toilet Supply Kit – CPVC Multi-Turn Angle Stop

CONNECTOR MATERIAL SPECIFICATIONS	
Hose	Reinforced PVC
Barb	Brass
Ferrules	Steel, zinc plated
Nut	Engineered polymer
Washer	Rubber

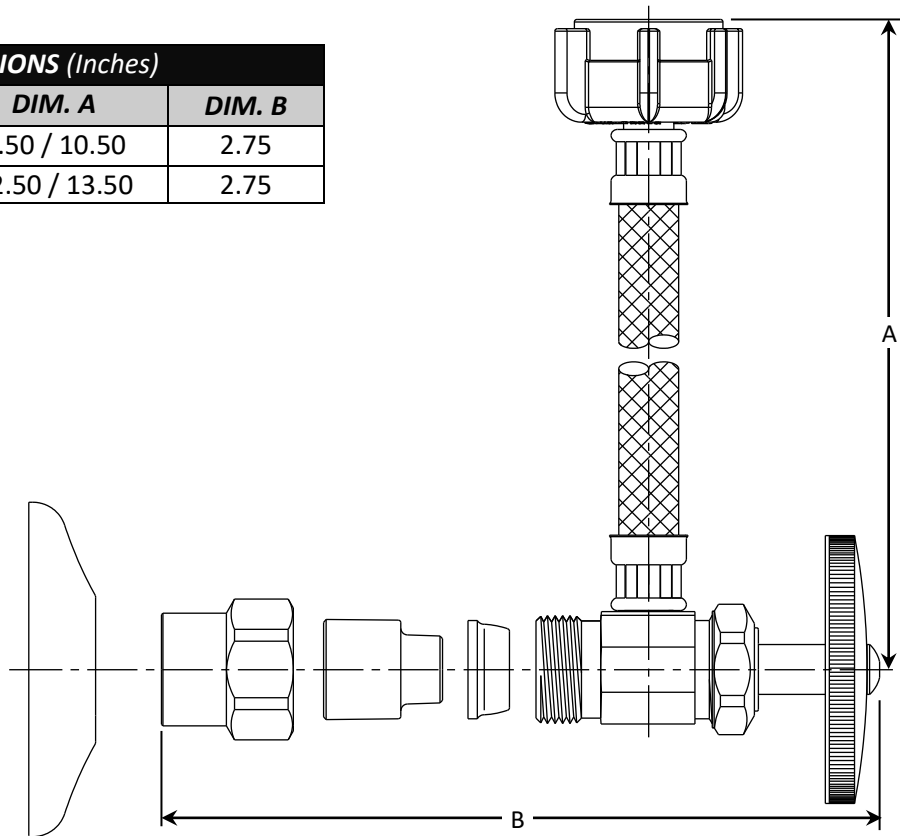
Shallow Escutcheon	Stainless steel
---------------------------	-----------------

STOP MATERIAL SPECIFICATIONS	
Body	Brass, plated
Stem	POM
Packing Nut	Brass, plated
Bib & Packing Washers	Rubber
Handle	Plated ABS or polypropylene
Handle Screw	Steel, zinc plated
CPVC Insert	CPVC
CPVC Washer	Rubber
CPVC Nut	Brass, plated

Part Listing:

- PR19V90DLX C 1/2" nom CPVC x 7/8" ballcock x 9" length, escutcheon, chrome finish
- PR19V120DLX C 1/2" nom CPVC x 7/8" ballcock x 12" length, escutcheon, chrome finish

PART DIMENSIONS (Inches)		
Model	DIM. A	DIM. B
PR19V90DLX	9.50 / 10.50	2.75
PR19V120DLX	12.50 / 13.50	2.75



Listings & Certifications:

- IAPMO listed to ASME A112.18.1 / CSA B125.1 (includes NSF/ANSI372 and NSF61)



This specification and all information contained herein is the confidential and exclusive property of BrassCraft Manufacturing Company and shall not be disclosed to others without the written consent of BrassCraft. This specification must be returned to BrassCraft if requested.

BrassCraft®