


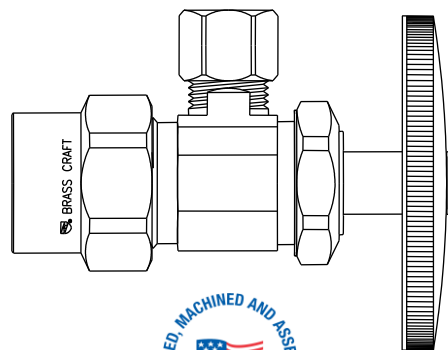
Job Name		Engineer / Architect	
Job Location		Wholesaler	
Submittal Date		Contractor	

PR19TX CB Multi-Turn Angle Stop – CPVC x Compression

Use: For use in potable water distribution systems in accessible locations only. Not intended for recirculating water systems that produce continuous use temperatures above 115° F. For those applications, use our KT™ series ball stop.

Design Features:

- **Machined one-piece brass body** provides strength, durability, and long-lasting performance
- **Oval knurled handle** provides a secure grip and smooth on/off operation
- 

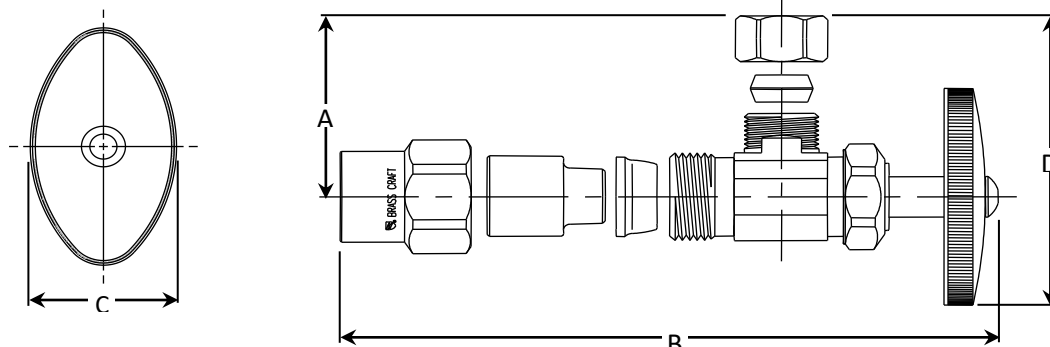


Operating Specifications:

Temperature: 40°- 140° F
Pressure: 125 PSI maximum

STOP MATERIAL SPECIFICATIONS	
Body	Brass, plated
Stem	POM; brass; or brass, plated
Handle	Polycarbonate
Handle Screw	Steel, zinc plated
Bib & Packing Washer	Rubber
Packing Nut	Brass, plated
CPVC Insert	CPVC
CPVC Washer	Rubber
CPVC Nut	Brass, plated
Compression Sleeve	Brass
Compression Nut	Brass, plated

PART DIMENSIONS (Inches)				
Model	DIM. A	DIM. B	DIA. C	DIM. D
PR19TX	1.01	2.75	1.14	1.76



Part Listing:

- PR19TX CB 1/2" nom CPVC x 3/8" OD compression, clear plastic handle, bulk

Listings & Certifications:

- IAPMO listed to ASME A112.18.1 / CSA B125.1 (includes NSF/ANSI372 & NSF61)



This specification and all information contained herein is the confidential and exclusive property of Brasscraft Manufacturing Company and shall not be disclosed to others without the written consent of Brasscraft Mfg. Co. This specification must be returned to Brasscraft Mfg. Co. if requested.

