

**For Residential and Commercial Applications**

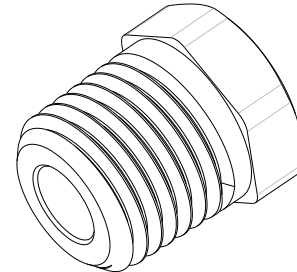
Job Name		Engineer / Architect	
Job Location		Wholesaler	
Submittal Date		Contractor	

## PPH Series Hex Head Iron Pipe Plugs

**Use:** For use with water, grease, fuels, LP and Natural Gas, refrigeration, instrumentation, and hydraulic systems in low and medium pressure pipe line connections. Use in combination with brass, copper, and iron pipe.

**Design Features:**

- **Designed & manufactured** to SAE (Society of Automotive Engineers) thread standards – SAE 130109 P (standard product only)



**Operating Specifications:**

- Temperature:** -65° to 250° F
- Working Pressure:** 1200 PSI maximum
- Vibration:** Fair resistance to vibration and pipe movement depending on conditions

**Standard Product**

FITTING MATERIAL SPECIFICATIONS	
<b>Body</b>	Brass

**Low-lead Product**

FITTING MATERIAL SPECIFICATIONS	
<b>Body</b>	Low-lead brass

**Standard Part Listing:**

- PPH-2                    1/8" MIP
- PPH-2 B                1/8" MIP, bulk
- PPH-4                    1/4" MIP
- PPH-4 B                1/4" MIP, bulk
- PPH-6                    3/8" MIP
- PPH-6 B                3/8" MIP, bulk
- PPH-8                    1/2" MIP
- PPH-8 B                1/2" MIP, bulk

**Low-lead Part Listing:**

- PPH-2X                 1/8" MIP
- PPH-2X B             1/8" MIP, bulk
- PPH-4X                 1/4" MIP
- PPH-4X B             1/4" MIP, bulk
- PPH-6X                 3/8" MIP
- PPH-6X B             3/8" MIP, bulk
- PPH-8X                 1/2" MIP
- PPH-8X B             1/2" MIP, bulk

*This specification and all information contained herein is the confidential and exclusive property of Brasscraft Manufacturing Company and shall not be disclosed to others without the written consent of Brasscraft Mfg. Co. This specification must be returned to Brasscraft Mfg. Co. if requested.*

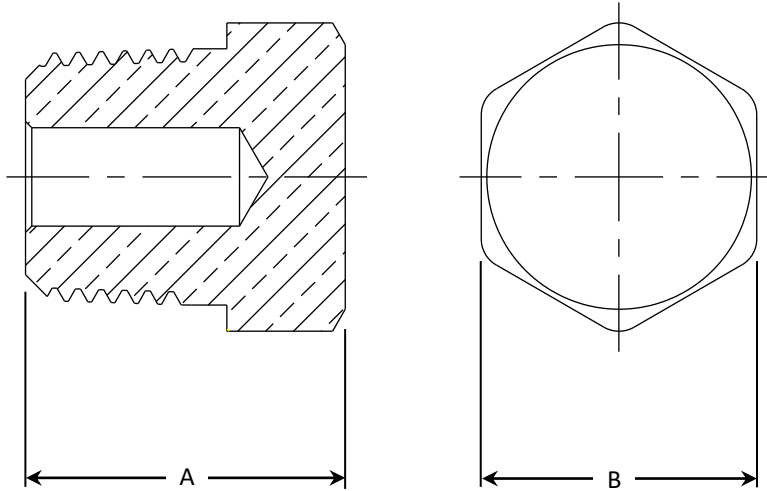
# PPH Series Hex Head Iron Pipe Plugs

## Standard Product

<b>PART DIMENSIONS (Inches)</b>		
<b>Model</b>	<b>DIM. A</b>	<b>HEX. B</b>
PPH-2	.51	7/16
PPH-4	.68	9/16
PPH-6	.71	11/16
PPH-8	.86	7/8

## Low-lead Product

<b>PART DIMENSIONS (Inches)</b>		
<b>Model</b>	<b>DIM. A</b>	<b>HEX. B</b>
PPH-2X	.58	.44
PPH-4X	.63	.55
PPH-6X	.71	.75
PPH-8X	.79	.87



*This specification and all information contained herein is the confidential and exclusive property of Brasscraft Manufacturing Company and shall not be disclosed to others without the written consent of Brasscraft Mfg. Co. This specification must be returned to Brasscraft Mfg. Co. if requested.*