

For Residential and Commercial Applications

Job Name		Engineer / Architect	
Job Location		Wholesaler	
Submittal Date		Contractor	

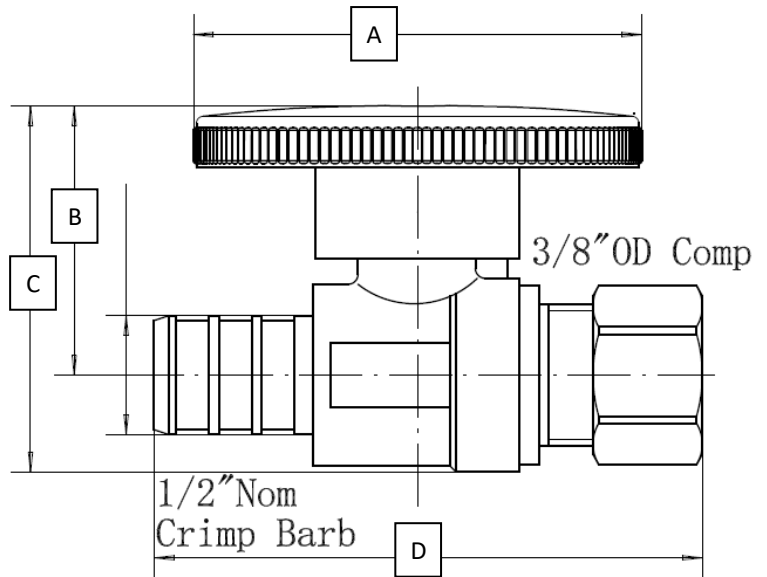
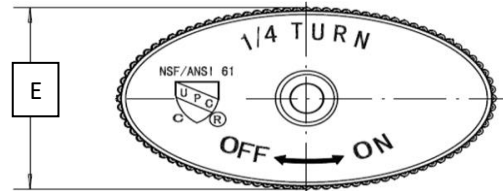
PLB204X 1/4 Turn Straight Stop – Barbed PEX Inlet

Use: For use only in potable water distribution systems, hot and cold, in accessible locations only

Part Listing:

- PLB204X B 1/2" nom crimp barb (for PEX) x 3/8" OD compression, chrome plated, bulk
- PLB204X P 1/2" nom crimp barb (for PEX) x 3/8" OD compression, chrome plated, bagged

PART DIMENSIONS (Inches)					
Model	DIM. A	DIM. B	DIM. C	DIM. D	DIM. E
PLB204X	1.77	1.12	1.50	2.17	.94



Operating Specifications	
Temperature	Pressure
Intermittent 40°- 140° F	125 PSI maximum

STOP MATERIAL SPECIFICATIONS	
Body	Brass, plated
Stem	Brass
Ball	Brass, plated
Seats	PTFE
O-ring	Rubber
Handle	ABS, plated
Handle Screw	Stainless steel
Compression Nut	Brass, plated
Compression Sleeve	Brass
Adaptor	Brass, plated

Listings & Certifications:

- IAPMO listed to ASME A112.18.1 / CSA B125.1 (includes NSF/ANSI 372 and NSF61)



This specification and all information contained herein is the confidential and exclusive property of Brasscraft Manufacturing Company and shall not be disclosed to others without the written consent of Brasscraft Mfg. Co. This specification must be returned to Brasscraft Mfg. Co. if requested.

