

For Residential and Commercial Applications

Job Name		Engineer / Architect	
Job Location		Wholesaler	
Submittal Date		Contractor	

PLB202X 1/4 Turn Straight Stop – Female Iron Pipe x Compression

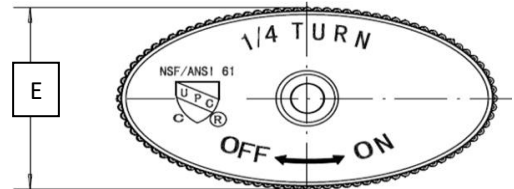
Use: For use only in potable water distribution systems, hot and cold, in accessible locations only

Part Listing:

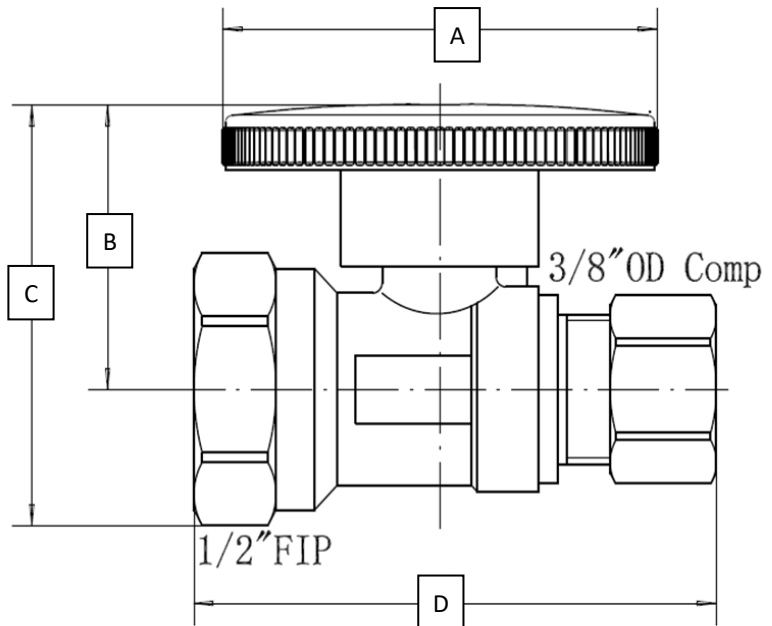
- PLB202X B 1/2" FIP x 3/8" OD compression, chrome plated, bulk
- PLB202X P 1/2" FIP x 3/8" OD compression, chrome plated, bagged



PART DIMENSIONS (Inches)					
Model	DIM. A	DIM. B	DIM. C	DIM. D	DIM. E
PLB202X	1.77	1.12	1.64	2.12	.94



Operating Specifications	
Temperature	Pressure
Intermittent 40°- 160° F	125 PSI maximum



STOP MATERIAL SPECIFICATIONS	
Body	Brass, plated
Stem	Brass
Ball	Brass, plated
Seats	PTFE
O-ring	Rubber
Handle	ABS, plated
Handle Screw	Stainless steel
Compression Nut	Brass, plated
Compression Sleeve	Brass
Adaptor	Brass, plated

Listings & Certifications:

- IAPMO listed to ASME A112.18.1 / CSA B125.1 (includes NSF/ANSI 372 and NSF61)



This specification and all information contained herein is the confidential and exclusive property of BrassCraft Manufacturing Company and shall not be disclosed to others without the written consent of BrassCraft. This specification must be returned to BrassCraft if requested.

400.288 PLB202X 1/4 Turn Straight Stop – FIP x Comp REV 6.21

PLUMBSHOP®

©2021 BrassCraft Manufacturing Company