

*For Residential and Commercial Applications*

|                |  |                      |  |
|----------------|--|----------------------|--|
| Job Name       |  | Engineer / Architect |  |
| Job Location   |  | Wholesaler           |  |
| Submittal Date |  | Contractor           |  |

## PLB103/112X 1/4 Turn Angle Ball Stop - Sweat x Compression

**Use:** For use only in potable water distribution systems, hot and cold, in accessible locations only.

**Part Listing:**

- PLB103X B 1/2" nom sweat x 3/8" OD compression, chrome plated, bulk
- PLB103X P 1/2" nom sweat x 3/8" OD compression, chrome plated, bagged
- PLB112X P 1/2" nom sweat w/extension tube x 3/8" OD compression w/bell escutcheon, chrome plated, bagged



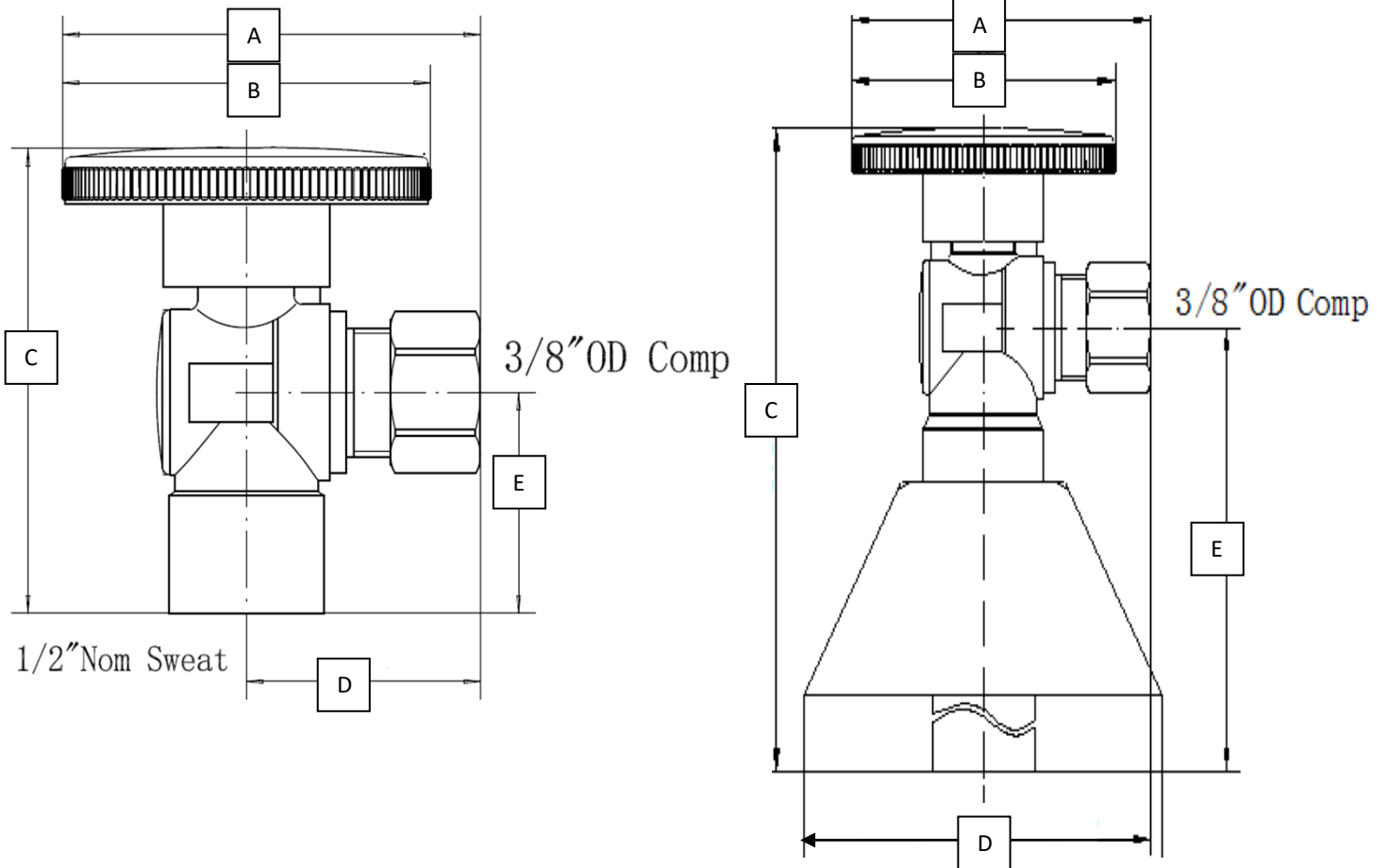
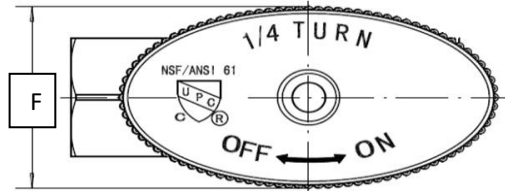
| STOP MATERIAL SPECIFICATIONS |                 |
|------------------------------|-----------------|
| <b>Body</b>                  | Brass, plated   |
| <b>Stem</b>                  | Brass           |
| <b>Ball</b>                  | Brass, plated   |
| <b>Seats</b>                 | PTFE            |
| <b>O-ring</b>                | Rubber          |
| <b>Handle</b>                | ABS, plated     |
| <b>Handle Screw</b>          | Stainless steel |
| <b>Compression Nut</b>       | Brass, plated   |
| <b>Compression Sleeve</b>    | Brass           |
| <b>Adaptor</b>               | Brass, plated   |

| Operating Specifications  |                 |
|---------------------------|-----------------|
| <b>Temperature</b>        | <b>Pressure</b> |
| Intermittent 40° - 140° F | 125 PSI maximum |

*This specification and all information contained herein is the confidential and exclusive property of Brasscraft Manufacturing Company and shall not be disclosed to others without the written consent of Brasscraft Mfg. Co. This specification must be returned to Brasscraft Mfg. Co. if requested.*

# PLB103/112X 1/4 Turn Angle Ball Stop - Sweat x Compression

| PART DIMENSIONS (Inches) |        |        |        |        |        |        |
|--------------------------|--------|--------|--------|--------|--------|--------|
| Model                    | DIM. A | DIM. B | DIM. C | DIM. D | DIM. E | DIM. F |
| PLB103X                  | 2.02   | 1.77   | 2.09   | 1.12   | .96    | .94    |
| PLB112X                  | 2.02   | 1.77   | 6.75   | 2.40   | 5.68   | .96    |



**Listings & Certifications:**

- IAPMO listed to ASME A112.18.1 / CSA B125.1 (includes NSF/ANSI 372 and NSF61)



*This specification and all information contained herein is the confidential and exclusive property of Brasscraft Manufacturing Company and shall not be disclosed to others without the written consent of Brasscraft Mfg. Co. This specification must be returned to Brasscraft Mfg. Co. if requested.*

400.279 PLB103/112X 1/4 Turn Angle Ball Stop - Sweat x Comp REV 9.19

**PLUMBSHOP<sup>®</sup>**

©2019 Brasscraft Manufacturing Company