

For Residential and Commercial Applications

Job Name		Engineer / Architect	
Job Location		Wholesaler	
Submittal Date		Contractor	

PLB101/114X 1/4 Turn Push Connect Angle Stop – Compression Outlet

Use: For use only in potable water distribution systems, hot and cold, in accessible locations only

Part Listing:

- PLB101X B 1/2" nom push connect x 3/8" OD compression, chrome plated, bulk
- PLB101X P 1/2" nom push connect x 3/8" OD compression, chrome plated, bagged
- PLB114X P 1/2" nom push connect x 1/4" OD compression, chrome plated, bagged



STOP MATERIAL SPECIFICATIONS	
Body	<i>Brass, plated</i>
Stem	<i>Brass</i>
Ball	<i>Brass, plated</i>
Gripper Ring	<i>Stainless steel</i>
Push Ring	<i>POM</i>
Seat Ring	<i>POM</i>
Lock Ring	<i>POM</i>
Seats	<i>PTFE</i>
O-Rings	<i>Rubber</i>
Handle	<i>ABS, plated</i>
Screw	<i>Stainless steel</i>
Compression Nut	<i>Brass, plated</i>
Compression Ring	<i>Brass</i>
Tube Stiffener	<i>Plastic</i>
Adapter	<i>Brass, plated</i>

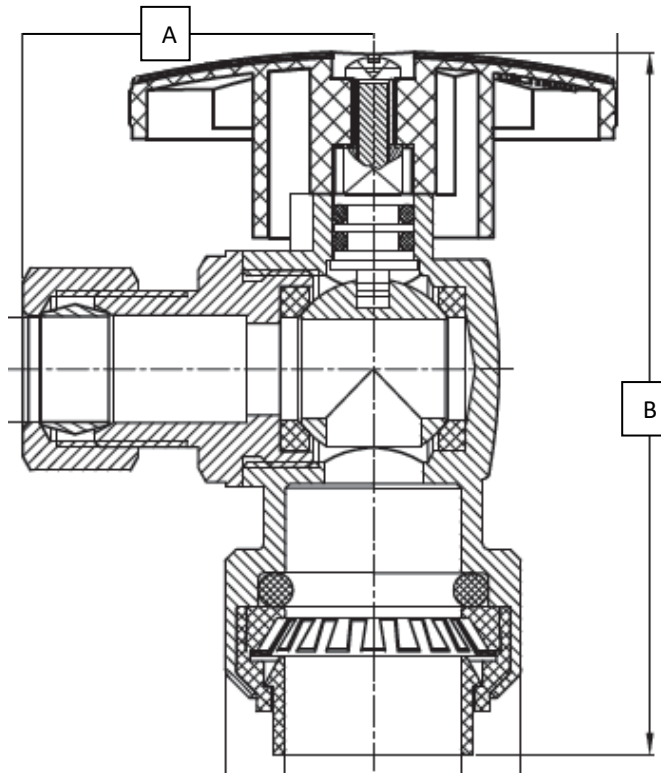
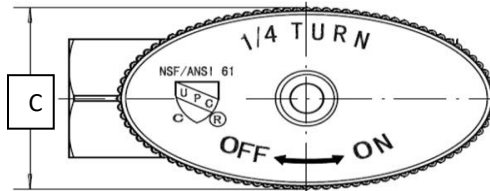
Operating Specifications	
Temperature	Pressure
Intermittent 40°- 160° F	125 PSI maximum

This specification and all information contained herein is the confidential and exclusive property of BrassCraft Manufacturing Company and shall not be disclosed to others without the written consent of BrassCraft. This specification must be returned to BrassCraft if requested.



PLB101/114X 1/4 Turn Push Connect Angle Stop – Compression Outlet

PART DIMENSIONS (Inches)			
Model	DIM. A	DIM. B	DIM. C
PLB101X	1.12	2.48	.94
PLB114X	1.12	2.36	.94



Listings & Certifications:

- IAPMO listed to ASME A112.18.1 / CSA B125.1 (includes NSF/ANSI 372 and NSF61)



This specification and all information contained herein is the confidential and exclusive property of BrassCraft Manufacturing Company and shall not be disclosed to others without the written consent of BrassCraft. This specification must be returned to BrassCraft if requested.

