

For Residential and Commercial Applications

Job Name		Engineer / Architect	
Job Location		Wholesaler	
Submittal Date		Contractor	

OVF45 Series 45 Degree Oil Tank Valve – Flare x Male Iron Pipe

Use: For use with low pressure air, water, gas and fluids.

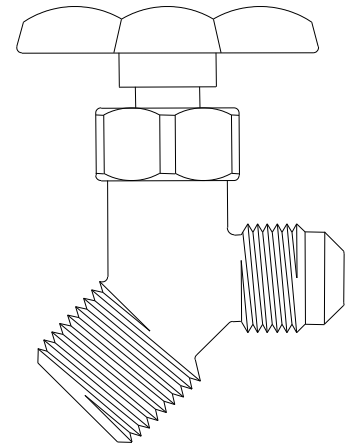
Design Features:

- **Forged one-piece brass body** provides strength, durability, and long-lasting performance
- **Easy-to-remove, steel handle** with screw attachment provides a secure grip and smooth on/off operation

Operating Specifications:

Temperature: 32° F to 125° F

Working Pressure: 30 PSI

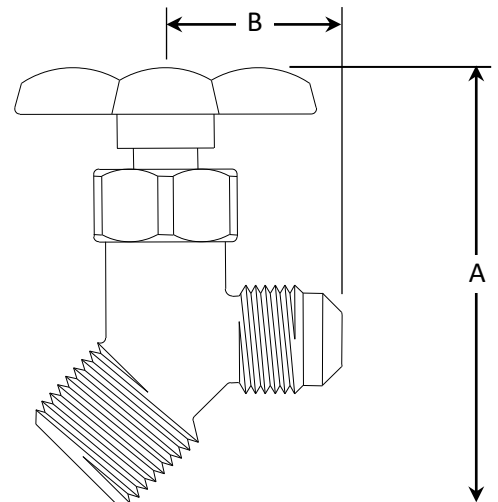


VALVE MATERIAL SPECIFICATIONS	
Body	Brass
Stem	Brass
Bonnet Washer	Rubber
Bonnet Nut	Brass
Handle	Zinc die cast, painted
Handle Screw	Steel, zinc plated
Spacer	Brass

PART DIMENSIONS (Inches)				
Model	Straight Thread	DIM. A		DIM. B
		(Closed)	(Open)	
OVF45-6-8	1/2 -20	2.54	3.00	1.13
OVF45-6-12	1/2 -20	2.54	3.00	1.13

Part Listing:

- OVF45-6-8 3/8" OD flare x 1/2" MIP
- OVF45-6-12 3/8" OD flare x 3/4" MIP



This specification and all information contained herein is the confidential and exclusive property of Brasscraft Manufacturing Company and shall not be disclosed to others without the written consent of Brasscraft Mfg. Co. This specification must be returned to Brasscraft Mfg. Co. if requested.