

For Residential and Commercial Applications

Job Name		Engineer / Architect	
Job Location		Wholesaler	
Submittal Date		Contractor	

OR82/90X Multi-Turn Straight Stop – Female Iron Pipe x Female Iron Pipe

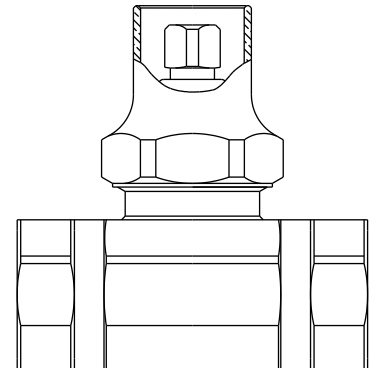
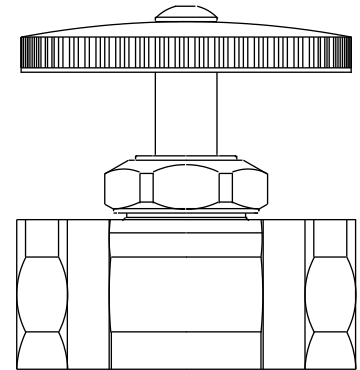
Use: For use in potable water distribution systems in accessible locations only. Not intended for recirculation systems/continuous use of temperatures above 115°F. For those applications, use our KT™ series ball stop.

Design Features:

- **Machined one-piece brass body** provides strength, durability, and long-lasting performance
- **Oval knurled handle** provides a secure grip and smooth on/off operation
- **Easy-to-remove handle** with screw attachment helps protect against accidental stop operation during rough-ins



Excludes loose key handle



Operating Specifications:

Temperature: 40° - 140° F
Pressure: 125 PSI maximum

STOP MATERIAL SPECIFICATIONS	
Body	<i>Brass, plated</i>
Stem	<i>POM; brass; or brass, plated</i>
Bib & Packing Washers	<i>Rubber</i>
Packing Nut	<i>Brass, plated</i>
Handle	<i>Zinc, die cast plated; ABS, plated; or polycarbonate</i>
Handle Screw	<i>Steel, zinc plated</i>
Loose Key	<i>Zinc, die cast</i>
Lock Shield	<i>Brass, plated</i>
Loose Key Stem	<i>Brass, plated</i>

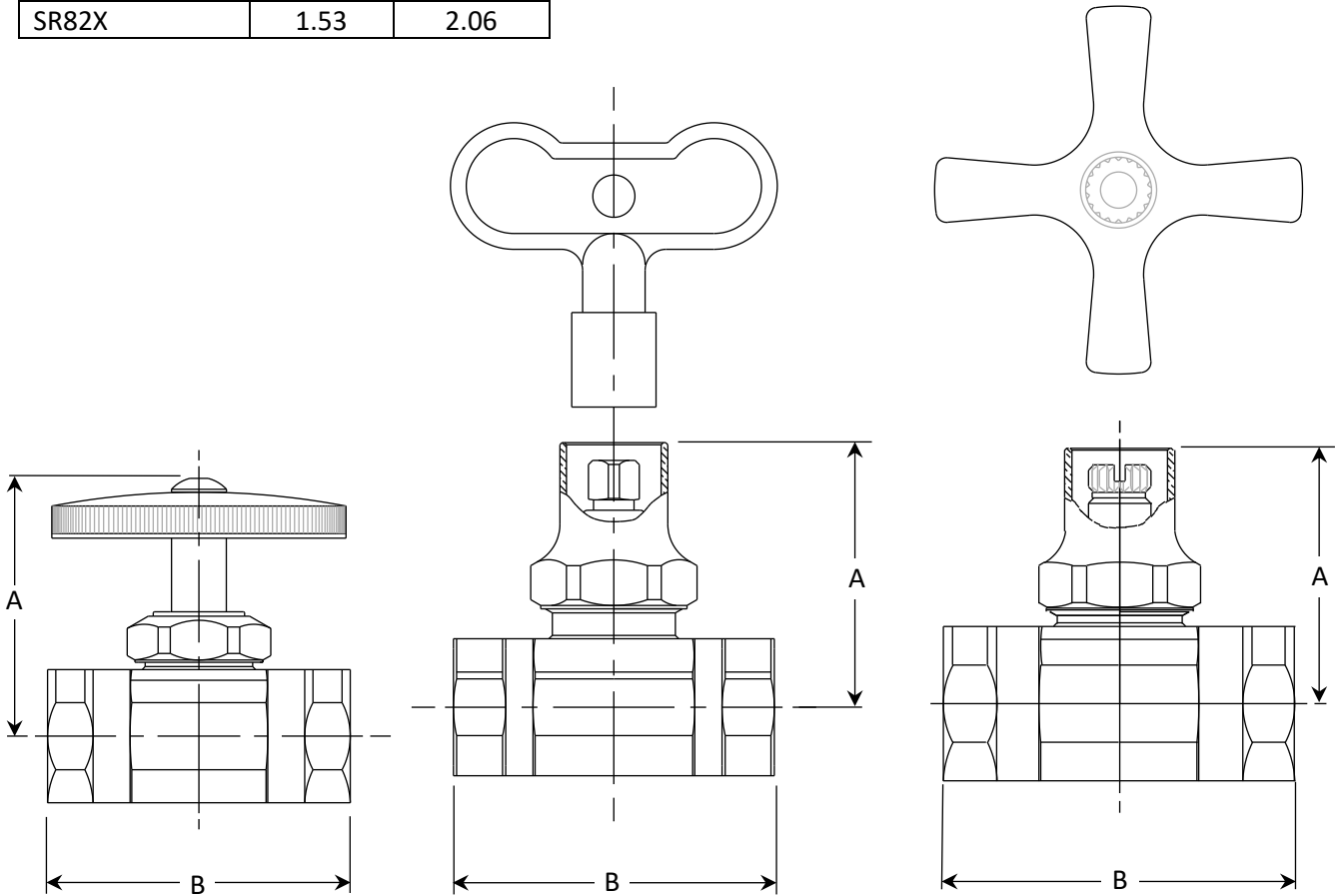
Part Listing:

- OR82X C 1/2" FIP x 1/2" FIP, chrome plated
- OR82X C1 1/2" FIP x 1/2" FIP, chrome plated, window tray
- OR90X C 3/8" FIP x 3/8" FIP, chrome plated
- OR90X R 3/8" FIP x 3/8" FIP, rough brass
- SR82X C 1/2" FIP x 1/2" FIP, loose key, chrome plated
- SSR82X R 1/2" FIP x 1/2" FIP, screwdriver slot, rough brass
- SR90X C 3/8" FIP x 3/8" FIP, loose key, chrome plated
- SSR90X C 3/8" FIP x 3/8" FIP, screwdriver slot, chrome plated
- STR90X C 3/8" FIP x 3/8" FIP, stuffing box, loose key, chrome plated

This specification and all information contained herein is the confidential and exclusive property of Brasscraft Manufacturing Company and shall not be disclosed to others without the written consent of Brasscraft Mfg. Co. This specification must be returned to Brasscraft Mfg. Co. if requested.

OR82/90X Multi-Turn Straight Stop – Female Iron Pipe x Female Iron Pipe

PART DIMENSIONS (Inches)		
Model	DIM. A	DIM. B
OR90X	1.83	1.90
OR82X	1.94	2.06
SR82X	1.53	2.06



Listings & Certifications:

- IAPMO listed to ASME A112.18.1 / CSA B125.1 (includes NSF/ANSI 372 & NSF61)



Excludes loose key handle

This specification and all information contained herein is the confidential and exclusive property of Brasscraft Manufacturing Company and shall not be disclosed to others without the written consent of Brasscraft Mfg. Co. This specification must be returned to Brasscraft Mfg. Co. if requested.

BrassCraft®