

*For Residential and Commercial Applications*

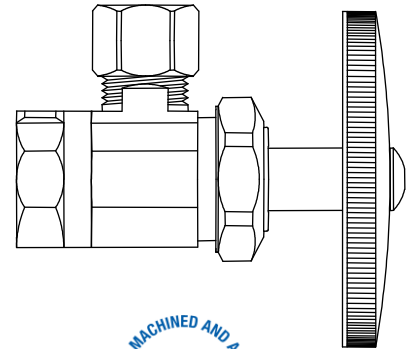
Job Name		Engineer / Architect	
Job Location		Wholesaler	
Submittal Date		Contractor	

## OR15/ OR35 & OR07/ OR17/ OR27/ OR37 Multi-Turn Angle Stop – Female Iron Pipe x Compression

**Use:** For use in potable water distribution systems only. Not intended for recirculating water systems that produce continuous use temperatures above 115° F. For those applications, use our KT™ series ball stops.

**Design Features:**

- **Machined one-piece brass body** provides strength, durability, and long-lasting performance
- **Knurled oval handle** provides a secure grip and smooth on/off operation
- **Easy-to-remove handle** with screw attachment helps protect against accidental stop operation during rough-ins
- **No Lead**



**Operating Specifications:**

**Temperature:** 40° - 140° F  
**Pressure:** 125 PSI maximum

<b>MATERIAL SPECIFICATIONS</b>	
<b>Body</b>	<i>Brass or brass, chrome plated</i>
<b>Stem</b>	<i>POM or brass*</i>
<b>Bib &amp; Packing Washers</b>	<i>Rubber</i>
<b>Packing Nut</b>	<i>Brass or brass, chrome plated</i>
<b>Handle</b>	<i>Metal, chrome plated; chrome plated ABS; or Polycarbonate</i>
<b>Handle Screw</b>	<i>Steel, zinc plated</i>
<b>Compression Sleeve</b>	<i>Brass</i>
<b>Compression Nut</b>	<i>Brass or brass, chrome plated</i>

\*Where specified

**Part Listing:**

- OR15X C      3/8" FIP x 3/8" OD compression, chrome plated
- OR15X C1    3/8" FIP x 3/8" OD compression, chrome plated, window tray
- OR15X C5T   3/8" FIP x 3/8" OD compression, chrome plated, 5 pack, plain tray
- OR15X CBT   3/8" FIP x 3/8" OD compression, chrome plated, bulk, plain tray
- OR15X CM    3/8" FIP x 3/8" OD compression, chrome plated, contractor 5 pack
- OR15X R      3/8" FIP x 3/8" OD compression, rough brass
- OR15X RM    3/8" FIP x 3/8" OD compression, rough brass, contractor 5 pack
- OR15L1X C   3/8" FIP x 3/8" OD compression, less nut, chrome plated
- OR15TZX CB   3/8" FIP x 3/8" OD compression, brass stem, chrome plated, bulk, no tray

*This specification and all information contained herein is the confidential and exclusive property of BrassCraft Manufacturing Co., and shall not be disclosed to others without the written consent of BrassCraft Mfg. This specification must be returned to BrassCraft Mfg. if requested.*



# OR15/ OR35 & OR07/ OR17/ OR27/ OR37 Multi-Turn Angle Stop – Female Iron Pipe x Compression

## Part Listing (con't):

<input type="checkbox"/>	OR15ZX C	3/8" FIP x 3/8" OD compression, brass stem, chrome plated
<input type="checkbox"/>	OR15ZX C1	3/8" FIP x 3/8" OD compression, brass stem, chrome plated, window tray
<input type="checkbox"/>	OR15ZX CM	3/8" FIP x 3/8" OD compression, brass stem, chrome plated, contractor 5 pack
<input type="checkbox"/>	OR07X C	1/2" FIP x 1/4" OD compression, chrome plated
<input type="checkbox"/>	OR07X C1	1/2" FIP x 1/4" OD compression, chrome plated, window tray
<input type="checkbox"/>	OR07X CM	1/2" FIP x 1/4" OD compression, chrome plated, contractor 5 pack
<input type="checkbox"/>	OR07X R	1/2" FIP x 1/4" OD compression, rough brass
<input type="checkbox"/>	OR07X RM	1/2" FIP x 1/4" OD compression, rough brass, contractor 5 pack
<input type="checkbox"/>	OR17X C	1/2" FIP x 3/8" OD compression, chrome plated
<input type="checkbox"/>	OR17X C1	1/2" FIP x 3/8" OD compression, chrome plated, window tray
<input type="checkbox"/>	OR17X CH	1/2" FIP x 3/8" OD compression, chrome plated, bagged
<input type="checkbox"/>	OR17X CM	1/2" FIP x 3/8" OD compression, chrome plated, contractor 5 pack
<input type="checkbox"/>	OR17X C5T	1/2" FIP x 3/8" OD compression, chrome plated, 5 pack, plain tray
<input type="checkbox"/>	OR17X CBT	1/2" FIP x 3/8" OD compression, chrome plated, bulk, plain tray
<input type="checkbox"/>	OR17X R	1/2" FIP x 3/8" OD compression, rough brass
<input type="checkbox"/>	OR17X R1	1/2" FIP x 3/8" OD compression, rough brass, window tray
<input type="checkbox"/>	OR17X BZ	1/2" FIP x 3/8" OD compression, oil rubbed bronze
<input type="checkbox"/>	OR17X NP	1/2" FIP x 3/8" OD compression, polished nickel
<input type="checkbox"/>	OR17X NS	1/2" FIP x 3/8" OD compression, satin nickel
<input type="checkbox"/>	OR17X P	1/2" FIP x 3/8" OD compression, polished
<input type="checkbox"/>	OR17ZX C	1/2" FIP x 3/8" OD compression, brass stem, chrome plated
<input type="checkbox"/>	OR17ZX C1	1/2" FIP x 3/8" OD compression, brass stem, chrome plated, window tray
<input type="checkbox"/>	OR17ZX CM	1/2" FIP x 3/8" OD compression, brass stem, chrome plated, contractor 5 pack
<input type="checkbox"/>	OR17ZX CBT	1/2" FIP x 3/8" OD compression, brass stem, chrome plated, bulk, plain tray
<input type="checkbox"/>	OR17TZX CB	1/2" FIP x 3/8" OD compression, brass stem, chrome plated, bulk, no tray
<input type="checkbox"/>	OR17L1X C	1/2" FIP x 3/8" OD compression, chrome plated, less nut
<input type="checkbox"/>	OR27X C	1/2" FIP x 7/16" OD compression, chrome plated
<input type="checkbox"/>	OR27X C1	1/2" FIP x 7/16" OD compression, chrome plated, window tray
<input type="checkbox"/>	OR27X CM	1/2" FIP x 7/16" OD compression, chrome plated, contractor 5 pack
<input type="checkbox"/>	OR35X C	3/8" FIP x 1/2" OD compression, chrome plated
<input type="checkbox"/>	OR35X CM	3/8" FIP x 1/2" OD compression, chrome plated, contractor 5 pack
<input type="checkbox"/>	OR35ZX C	3/8" FIP x 1/2" OD compression, brass stem, chrome plated
<input type="checkbox"/>	OR35ZX CM	3/8" FIP x 1/2" OD compression, brass stem, chrome plated, contractor 5 pack
<input type="checkbox"/>	OR37X C	1/2" FIP x 1/2" OD compression, chrome plated
<input type="checkbox"/>	OR37X C1	1/2" FIP x 1/2" OD compression, chrome plated, window tray
<input type="checkbox"/>	OR37X CM	1/2" FIP x 1/2" OD compression, chrome plated, contractor 5 pack
<input type="checkbox"/>	OR37X R	1/2" FIP x 1/2" OD compression, rough brass
<input type="checkbox"/>	OR37X RM	1/2" FIP x 1/2" OD compression, rough brass, contractor 5 pack
<input type="checkbox"/>	OR37ZX C	1/2" FIP x 1/2" OD compression, brass stem, chrome plated
<input type="checkbox"/>	SR15X C	3/8" FIP x 3/8" OD compression, loose key, chrome plated
<input type="checkbox"/>	SR15X CM	3/8" FIP x 3/8" OD compression, loose key, chrome plated, contractor 5 pack
<input type="checkbox"/>	SR07X C	1/2" FIP x 1/4" OD compression, loose key, chrome plated
<input type="checkbox"/>	SR17X C	1/2" FIP x 3/8" OD compression, loose key, chrome plated
<input type="checkbox"/>	SR17X C1	1/2" FIP x 3/8" OD compression, loose key, chrome plated, window tray

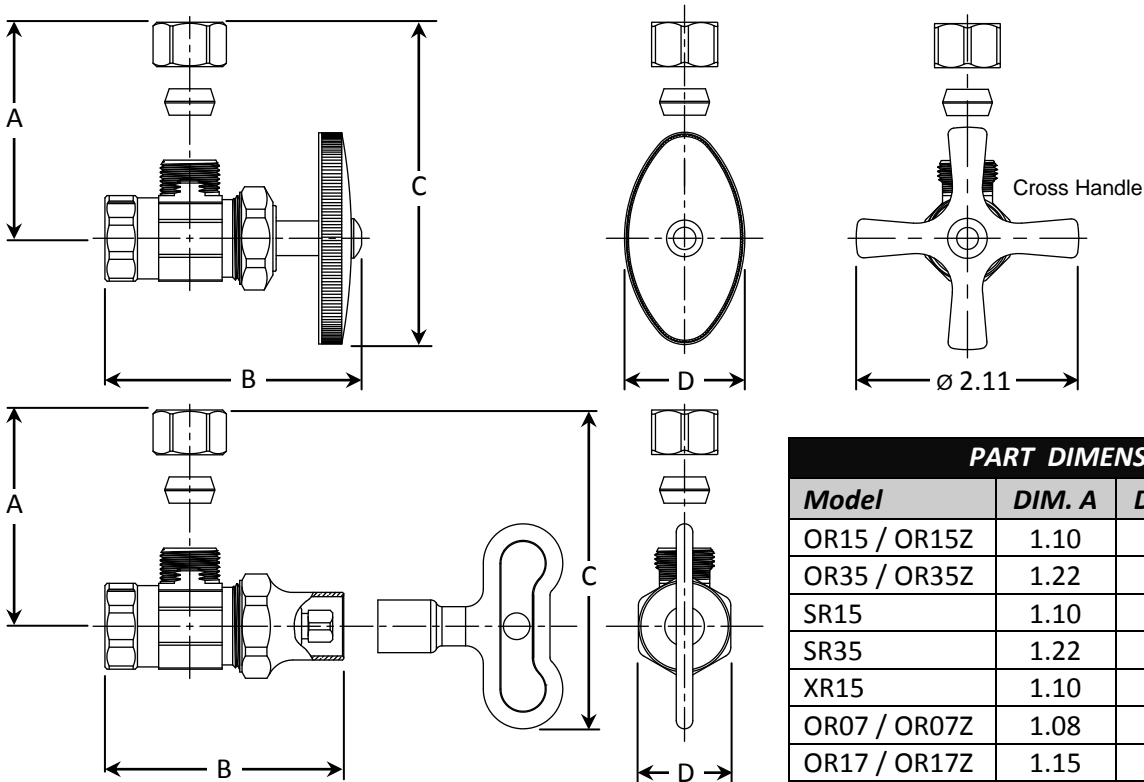
*This specification and all information contained herein is the confidential and exclusive property of BrassCraft Manufacturing Co., and shall not be disclosed to others without the written consent of BrassCraft Mfg. This specification must be returned to BrassCraft Mfg. if requested.*

**BrassCraft**<sup>®</sup>

# OR15/ OR35 & OR07/ OR17/ OR27/ OR37 Multi-Turn Angle Stop – Female Iron Pipe x Compression

**Part Listing (con't):**

- SR17X R 1/2" FIP x 3/8" OD compression, loose key, rough brass
- SR37X C 1/2" FIP x 1/2" OD compression, loose key, chrome plated
- SR37X CM 1/2" FIP x 1/2" OD compression, loose key, chrome plated, contractor 5 pack
- SR35X C 3/8" FIP x 1/2" OD compression, loose key, chrome plated
- XR15X C 3/8" FIP x 3/8" OD compression, cross handle, chrome plated
- XR17X C 1/2" FIP x 3/8" OD compression, cross handle, chrome plated
- XR17X R 1/2" FIP x 3/8" OD compression, cross handle, rough brass
- XR17ZX C 1/2" FIP x 3/8" OD compression, brass stem, cross handle, chrome plated



PART DIMENSIONS (Inches)				
Model	DIM. A	DIM. B	DIM. C	DIM. D
OR15 / OR15Z	1.10	2.54	2.10	1.14
OR35 / OR35Z	1.22	2.64	2.15	1.14
SR15	1.10	2.26	2.07	.87
SR35	1.22	2.32	2.12	.81
XR15	1.10	2.54	2.15	2.11
OR07 / OR07Z	1.08	2.68	1.23	1.14
OR17 / OR17Z	1.15	2.49	2.15	1.14
OR27 / OR27Z	1.15	2.68	2.10	1.14
OR37 / OR37Z	1.15	2.70	1.23	1.14
SR17	1.15	2.32	2.03	.91
SR37	1.23	2.32	1.28	.91
XR17 / XR17Z	1.15	2.49	2.11	2.11

**Listings & Certifications:**

- IAPMO listed to ASME A112.18.1 / CSA B125.1 (Including NSF 61 and NSF 372)(File 0645)
- CSA listed to ASME A112.18.1 / CSA B125.1 (Including NSF 61 and NSF 372)(File 204593)
- No-lead product CSA listed to NSF 372 (Class 6853-01)



*This specification and all information contained herein is the confidential and exclusive property of BrassCraft Manufacturing Co., and shall not be disclosed to others without the written consent of BrassCraft Mfg. This specification must be returned to BrassCraft Mfg. if requested.*

**BrassCraft®**