

Job Name		Engineer / Architect	
Job Location		Wholesaler	
Submittal Date		Contractor	

## OR15/17/37\*\*AX Copper Faucet Supply Kit – Multi-Turn FIP Angle Stop

**Use:** For use in potable water distribution systems in accessible locations only. Not intended for recirculating water systems that produce continuous use temperatures above 115° F. For those applications, use our KT™ series ball stop supply kits.

**Design Features:**

- **Everything you need.** Kits include a multi-turn stop, escutcheon, and copper riser, everything you need to hookup your water supply



Copper riser provides:

- **One-piece construction**
- **Cut-to-length** for clean, professional installation

Multi-turn stop provides:

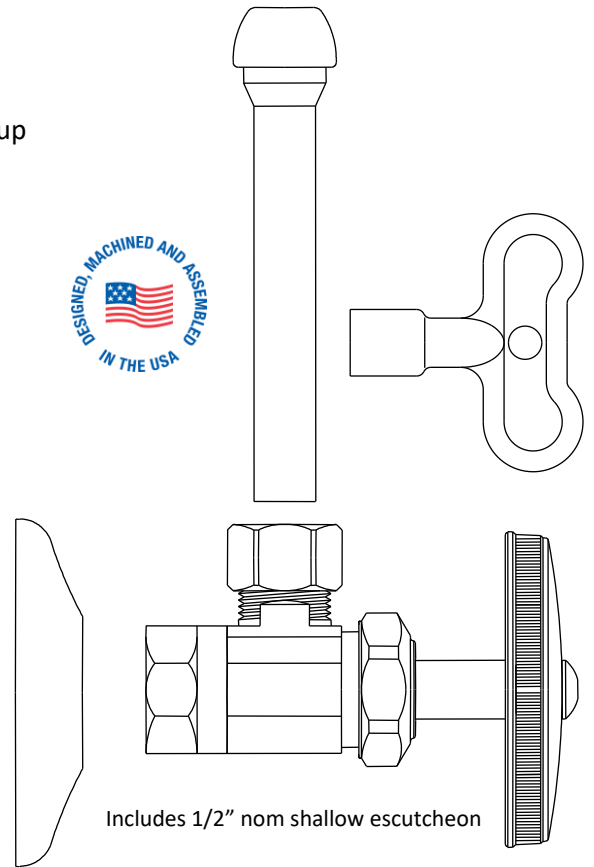
- **Machined one-piece brass body** provides strength, durability, and long-lasting performance
- **Oval knurled handle** provides a secure grip and smooth on/off operation
- **Easy-to-remove handle** with screw attachment helps protect against accidental stop operation during rough-ins

**Operating Specifications:**

**Temperature:** 40°- 140° F

**Pressure:** 125 PSI maximum

**Tubing Diameter:** .38" OD or .50" OD



CONNECTOR MATERIAL SPECIFICATIONS	
<b>Tube</b>	Copper, plated
<b>Insert</b>	POM

<b>Escutcheon</b>	Stainless steel
<b>Loose Key</b>	Zinc die cast
<b>Lock Shield</b>	Brass, plated
<b>Loose Key Stem</b>	Brass, plated

STOP MATERIAL SPECIFICATIONS	
<b>Body</b>	Brass, plated
<b>Stem</b>	POM or brass, plated
<b>Bib &amp; Packing Washer</b>	Rubber
<b>Packing Nut</b>	Brass, plated
<b>Handle</b>	Zinc die cast, plated; ABS, plated; or Polycarbonate
<b>Handle Screw</b>	Steel, plated
<b>Compression Nut</b>	Brass, plated
<b>Compression Sleeve</b>	Brass

This specification and all information contained herein is the confidential and exclusive property of Brasscraft Manufacturing Company and shall not be disclosed to others without the written consent of Brasscraft Mfg. Co. This specification must be returned to Brasscraft Mfg. Co. if requested.

400.234 OR15/17/32\*\*AX MT Faucet Supply Kit – FIP Stop REV 9.19



©2019 Brasscraft Manufacturing Company

# OR15/17/37\*\*AX Angle Stop

# Copper Faucet Supply Kit – Multi-Turn FIP

**Part Listing:**

- OR1512AX C      3/8" FIP x 3/8" OD compression stop with 3/8" OD tube x 11-1/2" length riser & shallow escutcheon, chrome
- OR1512AN3X C      3/8" FIP x 3/8" OD compression stop with 3/8" OD tube x 11-1/2" length riser & shallow escutcheon, chrome, w/3" nipple
- OR1512AZX C      3/8" FIP x 3/8" OD compression stop, brass stem with 3/8" OD tube x 11-1/2" length riser & shallow escutcheon, chrome
- OR1520AX C      3/8" FIP x 3/8" OD compression stop with 3/8" OD tube x 19-1/2" length riser & shallow escutcheon, chrome
- OR1712AX C      1/2" FIP x 3/8" OD compression stop with 3/8" OD tube x 11-1/2" length riser & shallow escutcheon, chrome
- OR1712AN3X C      1/2" FIP x 3/8" OD compression stop with 3/8" OD tube x 11-1/2" length riser & shallow escutcheon, chrome, w/3" nipple
- OR1712AZX C      1/2" FIP x 3/8" OD compression stop, brass stem with 3/8" OD tube x 11-1/2" length riser & shallow escutcheon, chrome
- OR1715AX C      1/2" FIP x 3/8" OD compression stop with 3/8" OD tube x 14-1/2" length riser & shallow escutcheon, chrome
- OR1720AX C      1/2" FIP x 3/8" OD compression stop with 3/8" OD tube x 19-1/2" length riser & shallow escutcheon, chrome
- OR3712AX C      1/2" FIP x 1/2" OD compression stop with 1/2" OD tube x 11-1/2" length riser & shallow escutcheon, chrome
- OR3712AZX C      1/2" FIP x 1/2" OD compression stop, brass stem with 1/2" OD tube x 11-1/2" length riser & shallow escutcheon, chrome
- SR1512AX C      3/8" FIP x 3/8" OD compression stop with 3/8" OD tube x 11-1/2" length riser & shallow escutcheon, chrome, loose key
- SR1512ABX C      3/8" FIP x 3/8" OD compression stop with 3/8" OD tube x 11-1/2" length riser, shallow escutcheon, & bell flange, chrome, loose key
- SR1512AN3X C      3/8" FIP x 3/8" OD compression stop with 3/8" OD tube x 11-1/2" length riser & shallow escutcheon, chrome, w/3" nipple, loose key
- SR1520AX C      3/8" FIP x 3/8" OD compression stop with 3/8" OD tube x 19-1/2" length riser & shallow escutcheon, chrome, loose key
- SR1712AX C      1/2" FIP x 3/8" OD compression stop with 3/8" OD tube x 11-1/2" length riser & shallow escutcheon, chrome, loose key
- SR1712AN3X C      1/2" FIP x 3/8" OD compression stop with 3/8" OD tube x 11-1/2" length riser & shallow escutcheon, chrome, loose key, w/3" nipple
- SR1715AX C      1/2" FIP x 3/8" OD compression stop with 3/8" OD tube x 14-1/2" length riser & shallow escutcheon, chrome, loose key
- SR1720AX C      1/2" FIP x 3/8" OD compression stop with 3/8" OD tube x 19-1/2" length riser & shallow escutcheon, chrome, loose key
- SR3512AX C      3/8" FIP x 1/2" OD compression stop, brass stem with 3/8" OD tube x 11-1/2" length riser, chrome, loose key
- SR3512ABX C      3/8" FIP x 1/2" OD compression stop, brass stem with 3/8" OD tube x 11-1/2" length riser, shallow escutcheon, & bell flange, chrome, loose key

*This specification and all information contained herein is the confidential and exclusive property of Brasscraft Manufacturing Company and shall not be disclosed to others without the written consent of Brasscraft Mfg. Co. This specification must be returned to Brasscraft Mfg. Co. if requested.*

**BrassCraft®**

# OR15/17/37\*\*AX Angle Stop

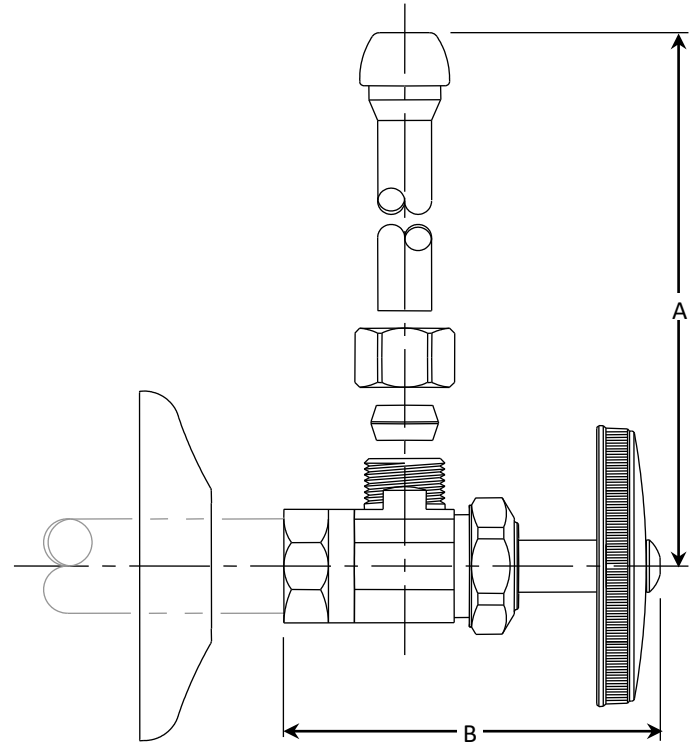
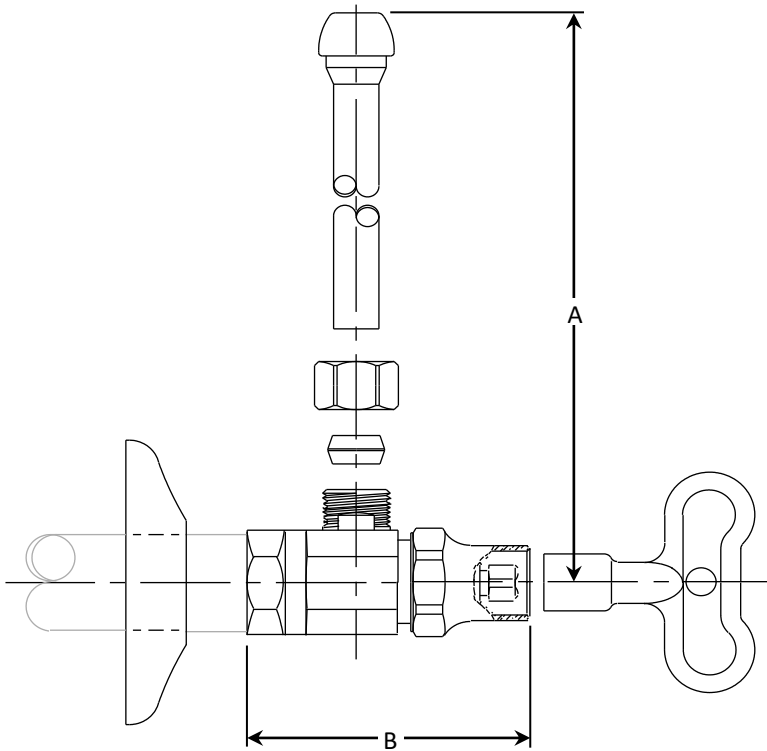
## Copper Faucet Supply Kit – Multi-Turn FIP

### Part Listing (Con't)

- SR3712AX C      1/2" FIP x 1/2" OD compression stop with 1/2" OD tube x 11-1/2" length riser & shallow escutcheon, chrome, loose key
- SR3715AX C      1/2" FIP x 1/2" OD compression stop with 1/2" OD tube x 14-1/2" length riser & shallow escutcheon, chrome, loose key
- SR3720AX C      1/2" FIP x 1/2" OD compression stop with 1/2" OD tube x 19-1/2" length riser & shallow escutcheon, chrome, loose key

PART DIMENSIONS (Inches)		
Model	DIM. A	DIM. B
OR1512AX /AZX	12.00	2.62
OR1520AX	15.00	2.62
OR1712AX /AZX	12.00	2.62
OR1715AX	15.00	2.62
OR1720AX	20.00	2.62

PART DIMENSIONS (Inches)		
Model	DIM. A	DIM. B
OR3712AX /AZX	12.00	2.62
OR3720ABX	20.00	2.62
SR1512AX	12.00	2.28
SR1712AX	12.50	2.34
SR3712AX	12.00	2.34



### Listings & Certifications:

- IAPMO listed to ASME A112.18.1/CSA B125.1 (includes NSF/ANSI372 and NSF61)



*This specification and all information contained herein is the confidential and exclusive property of Brasscraft Manufacturing Company and shall not be disclosed to others without the written consent of Brasscraft Mfg. Co. This specification must be returned to Brasscraft Mfg. Co. if requested.*