

Job Name		Engineer / Architect	
Job Location		Wholesaler	
Submittal Date		Contractor	

OR1512DLX / OR3512DLX / OR1712DLX / OR1715DLX Copper Toilet Supply Kit w/ Multi-Turn FIP X Comp Angle Stop

Use: For use in potable water distribution systems in accessible locations only. Not intended for recirculating water systems that produce continuous use temperatures above 115° F. For those applications, use our KT™ series ball stop supply kits.

Design Features:

- **Everything you need.** These kits combine our trusted supply stop, copper riser, escutcheon, and (optional) 3" nipple, for an easy-to-install connection



Copper riser provides:

- **One-piece construction** provides strength and durability
- **Cut-to-length** for a clean, professional installation

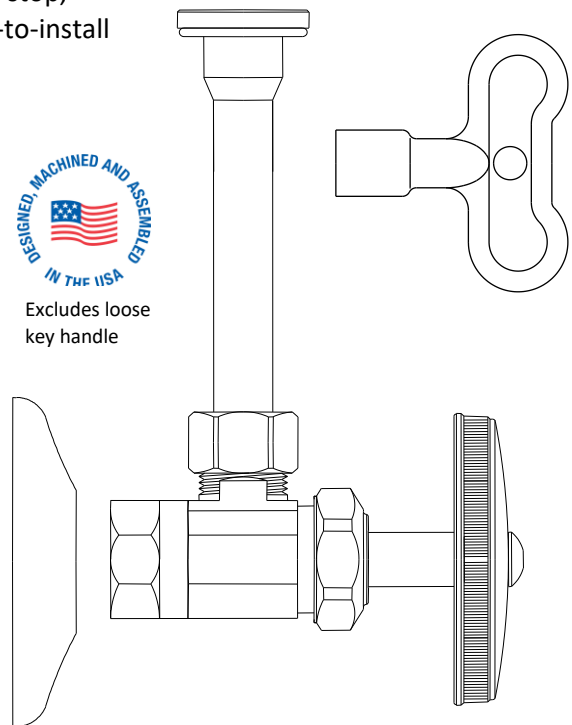
Multi-turn stop provides:

- **Machined, one-piece brass body** provides strength, durability, and long-lasting performance
- **Oval knurled handle** provides a secure grip and smooth on/off operation
- **Easy-to-remove handle** with screw attachment helps protect against accidental stop operation during rough-ins

Operating Specifications:

Temperature: 40° - 140° F
Pressure: 125 PSI maximum

Tubing Diameter: .38" OD or .50" OD



CONNECTOR MATERIAL SPECIFICATIONS	
Tube	Copper, plated
Nosepiece	Rubber
Escutcheon	Stainless steel
OPTIONS	
3" Nipple	Brass, plated
Loose Key	Zinc, die cast
Loose Key Stem	Brass, plated
Lock Shield	Brass, plated

STOP MATERIAL SPECIFICATIONS	
Body	Brass, plated
Stem	POM; brass; or brass, plated
Handle	Zinc, die cast plated; ABS, plated; or Polycarbonate
Handle Screw	Steel, zinc plated
Bib & Packing Washer	Rubber
Packing Nut	Brass, plated
Compression Sleeve	Brass
Compression Nut	Brass, plated

This specification and all information contained herein is the confidential and exclusive property of Brasscraft Manufacturing Company and shall not be disclosed to others without the written consent of Brasscraft Mfg. Co. This specification must be returned to Brasscraft Mfg. Co. if requested.

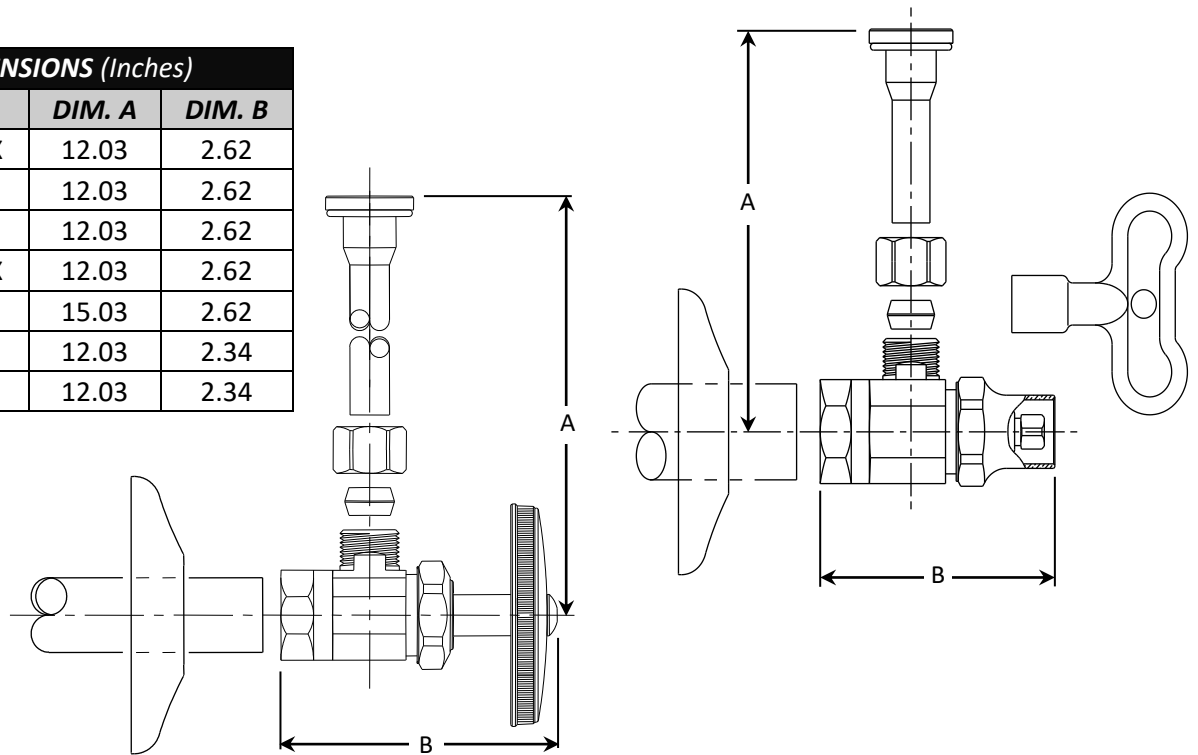


OR1512DLX / OR3512DLX / OR1712DLX / OR1715DLX Copper Toilet Supply Kit w/ Multi-Turn FIP X Comp Angle Stop

Part Listing:

- OR1512DLX C 3/8" FIP x 3/8" OD compression multi-turn stop with 3/8" OD tube x 11-1/2" length riser, shallow escutcheon, chrome
- OR1512DLZX C 3/8" FIP x 3/8" OD compression multi-turn stop, brass stem with 3/8" OD tube x 11-1/2" length riser, shallow escutcheon, chrome
- OR1512DLN3X C 3/8" FIP x 3/8" OD compression multi-turn stop with 3/8" OD tube x 11-1/2" length riser, 1/2" MIP x 3" nipple, shallow escutcheon, chrome
- OR3512DLX C 3/8" FIP x 1/2" OD compression multi-turn stop with 1/2" OD tube x 11-1/2" length riser, shallow escutcheon, chrome
- OR1712DLX C 1/2" FIP x 3/8" OD compression multi-turn stop with 3/8" OD tube x 11-1/2" length riser, shallow escutcheon, chrome
- OR1712DLZX C 1/2" FIP x 3/8" OD compression multi-turn stop, brass stem with 3/8" OD tube x 11-1/2" length riser, shallow escutcheon, chrome
- OR1715DLX C 1/2" FIP x 3/8" OD compression multi-turn stop with 3/8" OD tube x 14-1/2" length riser, shallow escutcheon, chrome
- SR1512DLX C 3/8" FIP x 3/8" OD compression multi-turn stop with 3/8" OD tube x 11-1/2" length riser, shallow escutcheon, loose key, chrome
- SR1712DLX C 1/2" FIP x 3/8" OD compression multi-turn stop, with 3/8" OD tube x 11-1/2" length riser, shallow escutcheon, loose key, chrome

PART DIMENSIONS (Inches)		
Model	DIM. A	DIM. B
OR1512DLX / DLZX	12.03	2.62
OR1512DLN3X	12.03	2.62
OR3512DLX	12.03	2.62
OR1712DLX / DLZX	12.03	2.62
OR1715DLX	15.03	2.62
SR1512DLX	12.03	2.34
SR1712DLX	12.03	2.34



Listings & Certifications:

- IAPMO listed to ASME A112.18.1/CSA B125.1 (includes NSF/ANSI372 and NSF61)



Excludes loose key handle

This specification and all information contained herein is the confidential and exclusive property of Brasscraft Manufacturing Company and shall not be disclosed to others without the written consent of Brasscraft Mfg. Co. This specification must be returned to Brasscraft Mfg. Co. if requested.

BrassCraft®